

**Publication number : 2001-222017**

**Date of publication of application : 17.08.2001**

---

**Int.Cl. G02F 1/1339 G02F 1/13**

**5 G02F 1/1335 G09F 9/30**

---

**Application number : 2000-084397**

**Applicant : FUJITSU LTD**

**Date of filing : 24.03.2000**

**10 Inventor :**

**TASHIRO KUNIHIRO**

**YOSHIMI TAKUYA**

**KOIKE YOSHIRO**

**IMAI SATORU**

**15 TSUDA HIDEAKI**

**INOUE HIROYASU**

**MURATA SATOSHI**

**SUZUKI HIDEHIKO**

**YOSHIDA HIDESHI**

**20 HASEGAWA TADASHI**

**TANIGUCHI YOJI**

**NAKAYAMA NORIMICHI**

**SUGIMURA HIROYUKI**

**OTANI MINORU**

**25**

---

Priority number : 11142628, 11263845, 11340826

Priority date : 24.05.1999, 17.09.1999, 30.11.1999

Priority country : JP, JP, JP

---

5 **LIQUID CRYSTAL DISPLAY DEVICE AND ITS MANUFACTURING METHOD**

**[Abstract]**

**PROBLEM TO BE SOLVED:** To provide a liquid crystal display device capable of surely performing a dripping injection process used in enclosing a liquid crystal between substrates in a cell step, and its manufacturing method.

**SOLUTION:** In the liquid crystal display device provided with a sealant 6 composed of a photosetting material to seal the liquid crystal 22 held between two substrates 4, 16 and a light shielding layer 8 having a light shielding region made by superposing a red coloring layer 28 which transmits red light, a green coloring layer 26 which transmits green light and a blue coloring layer 24 which transmits blue light, only the blue coloring layer 24 is formed on the region of the light shielding layer 8 brought in contact with the sealant 6. The photosetting material for the sealant 6 is constructed so as to have a photo-reactive region in a blue wavelength band.

**[Claim(s)]**

**[Claim 1] A liquid crystal display having a sealing material made of a photo-curing type material sealing liquid crystal sandwiched between two substrates comprising:**

- 5    **a blue-colored layer formed at an area of a shading film contacting with the sealing material; and**  
**a light reactive area for a wavelength of blue color band characterized in the photo-curing type material of the sealing material.**

10   **[Claim 2] A liquid crystal display comprising:**

**a sealing material made of a photo-curing type material sealing liquid crystal sandwiched between two substrates, wherein at least one of areas of the sealing material contacting with one of the substrates overlaps with a shading film formed on one of the substrates.**

15

**[Claim 3]. A liquid crystal display having a sealing material made of a photo-curing type material sealing liquid crystal sandwiched between two substrates comprising:**

- a shading film formed on one of the two substrates;**  
20   **a transfer added colored particles, formed at the lower portion of the shading film, and electrically connected to the two substrates; and**  
**a light incident hole opened at the shading film above the transfer.**

**[Claim 4] . A liquid crystal display comprising:**

- 25   **two substrates sandwiching liquid crystal and opposing to each other;**

a main seal attaching the two substrates at an external peripheral portion of a display area of the substrates;  
a frame-shape structure formed in the area between the main seal and the display area; and  
5 a black matrix picture-frame shading an area between the main seal and the display area;  
wherein an external peripheral end of the frame-shape structure and an external peripheral end of the black matrix picture-frame are formed to be coincide with to each other viewing from a perpendicular direction to the  
10 substrates.

[Claim 5]. A liquid crystal display as set forth in claim 5 comprising:  
a second frame-shape structure formed in an external area from the main seal;  
15 wherein both sides of the main seal are surrounded by the frame-shape structure formed in an area between the main seal and the display area main seal and the second frame-shape structure.

[Claim 6] A liquid crystal display having a sealing material made of a  
20 photo-curing type material sealing liquid crystal sandwiched between two substrates comprising a light-reflection layer having a concavo-convex structure formed in an area contacting with the sealing materials of at least one of the two substrates.

25 [Claim 7] A liquid crystal display having a main seal formed in a frame

shape containing a photo-curing type material sealing liquid crystal sandwiched between two substrates comprising a interconnecting structure having a peeling strength greater than that of the main seal partially arranged adjacent to a corner portion of the main seal and in an area being outside of the main seal and inside from an end portion of one substrate.

[Claim 8]. A liquid crystal display having a main seal formed in a frame shape containing a photo-curing type material sealing liquid crystal sandwiched between two substrates comprising a structure having a thickness equivalent to a cell gap and a L-shape in accordance with a corner shape of Black Matrix picture-frame for shading, and arranged adjacent to a corner portion of the main seal and in an area being inside of the main seal and outside of a display area.

[Claim 9]. A liquid crystal display having a sealing material made of a photo-curing type material sealing liquid crystal sandwiched between two substrates comprising a light-reflection layer formed in an area contacting with the sealing material of the two substrates.

[Claim 10]. A liquid crystal display as set for in claim 9, wherein the light-reflection layer of at least one of the two substrates is made of the same material as a formation material for a bus line.

[Claim 11] A liquid crystal display having a sealing material made of a

photo-curing type material sealing liquid crystal sandwiched between two substrates comprising an alignment film formed adjacent to the sealing material of the two substrates for perpendicularly aligning the liquid crystal molecules.

5

[Claim 12] A liquid crystal display having a sealing material made of a photo-curing type material sealing liquid crystal sandwiched between two substrates comprising:

two electrodes opposing between the two substrates and provided at an area between pixel display areas and the sealing material.

10

[Claim 13] A liquid crystal display sealing liquid crystal by attaching opposing two substrates using a sealing material formed outside of a display area forming a plurality of pixels comprising a plurality of structures formed inside the sealing material for controlling spreading of dropping liquid crystal.

15

[Claim 14] A liquid crystal display sealing liquid crystal by attaching opposing two substrates using a sealing material formed outside of a display area forming a plurality of pixels comprising a concave shape structure provided in a frame shape inside the sealing material and outside the display area, at least on one of the two substrates.

20

[Claim 15]. A liquid crystal display sealing liquid crystal by attaching opposing two substrates using a sealing material formed outside of a

25

display area forming a plurality of pixels further comprising a hollow frame-shape sealing material formed at an external periphery of the sealing material.

5 [Claim 16] A method of fabricating a liquid crystal display having processes of sealing liquid crystal by attaching two substrates with a sealing material made of a photo-curing type material, and curing the sealing material by irradiating light to the sealing material comprising:  
using a photo-curing type resin having a light-reactive area to light of a  
10 wavelength of blue color band as the photo-curing material; and  
forming only a colored layer transmitting light of a blue color band at a shading film area contacted by the sealing material when attaching the two substrate.

15 [Claim 17]. A method of fabricating a liquid crystal display having processes of dropping liquid crystal at a plurality of positions on one of substrates, attaching the one of the substrates with the other substrate via a sealing material made of a photo-curing type material, and curing the sealing material by irradiating light thereon comprising:  
20 forming at least a part of a contacting area to the other substrate of the sealing material so as to overlay with a shading film formed on the other substrate; and  
curing the sealing material by irradiating light on an area containing a color filter formed on the other substrate.

**[Claim 18]. A method of fabricating a liquid crystal display comprising:**  
**forming a main seal by depositing ultraviolet-light-curing resin at an**  
**external peripheral portion of a display area of a substrate;**  
**forming a frame-shape structure, which shades ultraviolet light, at an area**  
5 **between the main seal and the display area;**  
**sandwiching liquid crystal by attaching the substrate and an opposing**  
**substrate; and**  
**curing the main seal by irradiating ultraviolet light from a horizontal or**  
**diagonal direction to the substrate surface.**

10

**[Claim 19] A method of fabricating a liquid crystal display having**  
**processes of dropping liquid crystal at a plurality of positions on one of**  
**substrates, attaching the one of the substrates with the other substrate**  
**via a sealing material made of a photo-curing type material, and curing the**  
15 **sealing material by irradiating light thereon comprising:**  
**using a polarized light in the curing process.**

**[Claim 20] A method of fabricating a liquid crystal display having**  
**processes of dropping liquid crystal at a plurality of positions on one of**  
20 **substrates, attaching the one of the substrates with the other substrate**  
**via a sealing material made of a photo-curing type material, and curing the**  
**sealing material by irradiating light thereon comprising:**  
**irradiating the light after perpendicularly aligning the molecules of the**  
**liquid crystal adjacent to the sealing material.**

25



**[Claim 21] A method of fabricating a liquid crystal display having processes of dropping liquid crystal at a plurality of positions on one of substrates, attaching the one of the substrates with the other substrate via a sealing material made of a photo-curing type material, and curing the sealing material by irradiating light thereon comprising:**  
5 **including a photo-polymerization-type material in the liquid crystal; and curing the sealing material after curing the liquid crystal by irradiating light thereon.**

10 **[Claim 22] A method of fabricating liquid crystal display having processes of dropping liquid crystal at a plurality of positions on one of substrates and attaching the one of the substrate with the other substrate comprising:**  
15 **varying dropping amount of the liquid crystal depending on a dropping position.**

**[Claim 23] A method of fabricating liquid crystal display having processes of dropping liquid crystal at a plurality of positions on one of substrates and attaching the one of the substrate with the other substrate**  
20 **comprising:**  
**dropping the liquid crystal by combining a plurality of dropping patterns deciding a dropping position.**

**[Claim 24]. A method of fabricating liquid crystal display having processes**  
25 **of dropping liquid crystal at a plurality of positions on one of substrates**

and attaching the one of the substrate with the other substrate comprising:

dropping the each liquid crystal at a position the spreading distance of the liquid crystal is equal to that of liquid dropped adjacently.

5

[Claim 25]. A method of fabricating a liquid crystal display as set forth in claim 24, wherein the dropping step further comprises dropping the each liquid crystal having substantially the same amount of liquid crystal, and the dropping step comprises dropping liquid crystal having less amount  
10 of the liquid crystal at a position the spreading distance of the liquid crystal is different from that of other liquid crystal dropped.

[Claim 26] A method of fabricating a liquid crystal display having processes of dropping liquid crystal at a plurality of positions on one of  
15 substrates, attaching the one of the substrates with the other substrate via a sealing material made of a photo-curing type material, and curing the sealing material by irradiating light thereon comprising:

dropping the liquid crystal so as to overlap more than two kinds of liquid crystals having different component in the same dropping area in the  
20 dropping step.

[Claim 27]. A method of fabricating a liquid crystal display as set forth in claim 26, wherein the more than two kinds of liquid crystal having a first liquid crystal with relatively high reliability and a second liquid crystal  
25 with lower reliability, the second liquid crystal being dropped on a first

liquid crystal dropped on a substrate after dropping the first liquid crystal.

[Claim 28]. A method of fabricating a liquid crystal display having processes of dropping liquid crystal at a plurality of positions on one of  
5 substrates and returning the substrates to a pressurized state after attaching the one substrate and the other substrate via a sealing material under a pressure reduction comprising:

forming a structure for controlling spreading of dropping liquid crystal on the substrate.

10

[Claim 29]. A method of fabricating a liquid crystal display as set forth in claim 28, wherein the step of forming comprises controlling an arrangement density or arrangement shape of the structure so that spreading speed of the dropping liquid crystal is high in the diagonal  
15 direction of the sealing material formed in a frame shape.

[Claim 30]. A method of fabricating liquid crystal display having processes of dropping liquid crystal at a plurality of positions on one of substrates and attaching the one of the substrate with the other substrate  
20 comprising:

reducing a pressure of an atmosphere under a state mechanically retaining at least the one or the other substrate when attaching the both substrates; and

switching the retention of the substrate from a mechanical retention to a  
25 retention by an electrostatic chuck when reached to a predetermined air

pressure.

[Claim 31] A method of fabricating liquid crystal display as set forth in claim 30 wherein the switching step comprises electrostatically attracting  
5 the substrates by applying a voltage of the same polarity for each panel formation area of a plurality of panel formation areas formed on the substrates by the electrostatic chuck.

[Claim 32] A method of fabricating a liquid crystal display having  
10 processes of dropping liquid crystal at a plurality of positions on one of substrates, attaching the one of the substrates with the other substrate via a sealing material made of a photo-curing type material, and curing the sealing material by irradiating light thereon comprising:  
fixing the one substrate on the one of a parallel plates, pressing the other  
15 substrate attached to the one substrate by the other of the parallel plates, and curing the sealing material by irradiating light thereon.

[Claim 33] A method of fabricating a liquid crystal display having  
20 processes of dropping liquid crystal at a plurality of positions on one of substrates, attaching the one of the substrates with the other substrate via a sealing material made of a photo-curing type material, and curing the sealing material by irradiating light thereon comprising:  
curing the sealing material by irradiating the light on the sealing material.

**[Title of the Invention]**

**LIQUID CRYSTAL DISPLAY DEVICE AND ITS MANUFACTURING METHOD**

**[Detailed Description of the Invention]**

5

**[0001] [Field of Invention]**

The present invention relates to a liquid crystal display (LCD) and a fabrication method thereof. Particularly, the present invention relates to the liquid crystal display in which liquid crystal is sealed between two panels by using an instilling method and the fabrication thereof.

10

**[0002] [Description of the Related Art]**

A liquid crystal display panel of a conventional liquid crystal display is described with reference to FIG. 104. FIG. 104 shows a part of an upper surface of an active matrix-type liquid crystal display panel using a TFT (thin film transistor) as a switching element viewed from a color filter substrate side. As shown in FIG. 104, on a liquid crystal display panel 1100, a plurality of pixel areas 1114 arranged in a matrix shape are formed on an array substrate 1116 side, and a TFT 1112 is formed in each pixel area 1114. A display area 1110 is structured by the plurality of the pixel areas 1114. It will be noted that although a detailed illustration is omitted, a gate electrode of a TFT 1112 in each pixel area 1114 is connected to a gate wiring and a drain electrode is connected to a data wiring respectively. Further, a source electrode of the TFT 1112 is connected to a pixel electrode formed in the pixel area 1114. A plurality of the data wirings and the gate wirings are connected to a terminal portion 1102 formed in the

15

20

25

external periphery of the array substrate 1116 so that the plurality of the data wirings and the gate wirings are connected to a driving circuit (not shown in the diagram) provided externally.

[0003] A color filter (CF) substrate 1104 formed smaller than the array substrate 1116 by approximately the area of the terminal portion 1102 is provided facing the array substrate 1116 while sealing liquid crystal at a predetermined cell gap. On the CF substrate 1104, a common electrode (not shown in the diagram) is formed and at the same time, BM (black matrix: shading film) 1080, 1180 and the like using color filters (shown by letters R(red), G(green) and B(blue) in the diagram), a Cr (chrome) film or the like are formed. Since a BM 1118 demarcates the plurality of the pixel area 1114 in the display area 1110 and earns contrast, the BM 1118 is used for preventing a light leakage from occurring by shading the TFT 1112. Further, a BM picture-frame portion 1108 is provided for shading undesired light from outside the display area 1110. The array substrate 1116 and the CF substrate 1104 are attached by a sealing material 1106 made of photo-curing type resin.

[0004] Meanwhile, a fabrication process of the liquid crystal display is roughly classified into an array process in which a wiring pattern, a switching element (in a case of active matrix type) and the like are formed, a cell process in which an alignment layer treatment is performed, spacers are arranged and liquid crystal is sealed between opposing glass substrates, and a module process in which an installation of a driver IC, attachment of a back light and the like are performed. In a liquid crystal injection process performed in the cell process among the above

processes, a method (vacuum injection method) is used, for example, in which the array substrate 1116 forming the TFT 1112 and the opposite color filter substrate (opposite substrate) 1104 are attached with a use of the sealing material 1106, the sealing material is cured, then liquid crystal  
5 and the substrates are placed in a vacuum chamber, an injection opening opened in the sealing material is immersed in liquid crystal, the inside of the chamber is returned to the atmospheric pressure, thereby sealing the liquid crystal between the substrates.

[0005] On the other hand, in recent years, an instilling method is drawing  
10 attention, in which, for example, a constant amount of liquid crystal is dropped on the substrate surface inside the frame of the sealing material 1106 formed inside a frame shape in the periphery of the array substrate, the array substrate 1116 and the CF substrate 1104 are attached in a vacuum and sealing of liquid crystal is performed. A fabrication process  
15 of the liquid crystal display panel according to the instilling method is briefly described with reference to FIGS. 108. First, as shown in FIG. 108a, for example, liquid crystal 1206 is dropped from a liquid crystal instilling equipment which is not shown in the diagram at a plurality of positions on an array substrate 1204 forming switching elements such as TFT and the  
20 like. Next, a common electrode and a color filter are formed in a display area, and an opposite substrate 1200 coated with a UV sealing material 1202 to be cured by ultraviolet (UV) irradiation in the external periphery of a display area is aligned and attached to the array substrate 1204. This process is performed in a vacuum. Then, when the attached substrates  
25 are returned to the atmospheric pressure as shown in FIG. 108b, the liquid

crystal 1206 between the attached array substrate 1204 and the opposite substrate 1200 is spread due to the atmospheric pressure. Next, as shown in FIG. 108c, while a UV light source 1208 travels in a travel direction 1211 along the area the sealing material 1202 is coated, UV light is irradiated to the sealing material 1202 and the sealing material 1202 is cured.

[0006] In comparison to the vacuum injection method widely used for panel fabrication in the past, this instilling method has possibilities to reduce costs of fabricating a panel and to improve mass productivity owing to first, substantial reduction in the amount of liquid crystal to be used and second, reduction in time to inject liquid crystal and the like, therefore application of this instilling method is strongly desired in the panel fabrication process.

[0007] For example, in the Japanese Lain-open Patent Application No. 63-179323, a method is recorded in which an accurately measured required amount of liquid crystal is mounted on a substrate surface inside a sealing material provided on one substrate, the opposite other substrate is overlaid so that the substrate contacts with an upper surface of the sealing material before the liquid crystal spreads on the first substrate surface and reaches an end face of the peripheral sealing material, then both substrates are pressed in a decompressed environment, and the sealing material is cured.

[0008] [Problem(s) to be Solved by the Invention]

However, in the above method, although basic processes of instillation to follow is shown, a specific description relative to a fabrication technology is insufficient and in reality, technical problems remain in practical



application of the process. The instilling process, in comparison to the liquid crystal injection process performed in the past, enables to simply fabricate a liquid crystal panel at low cost but at the same time has technical difficulties as shown below resulting in delay in adopting the instilling method in a fabrication method of a liquid crystal display.

**[0009] (1) Curing Defects of Sealing Material:**

If uncured components of the sealing materials 1106 and 1202 make contact with liquid crystal for a long period of time or are exposed in high temperature while contacting with liquid crystal, the liquid crystal is contaminated. Therefore, photo-curing-type resin which is rapidly cured by ultraviolet light irradiation is used for the sealing materials 1106 and 1202 when the instilling method is used.

[0010] Incidentally, the width of a picture-frame portion in the periphery of a panel is becoming narrow due to recent enlargement of the liquid crystal panel 1100 and the like. Therefore, the sealing material 1106 formed in a frame shape in the periphery of a substrate is formed in many cases in the very close proximity to the end of an external periphery of the BM picture-frame portion shown in FIG. 104. Accordingly, when the array substrate 1116 and the CF substrate 1104 are pressed and the area (hatched area in FIG. 104) where the sealing material 1106 and the BM picture-frame portion 1108 make contact is generated, the area of the sealing material 1106 where the BM picture-frame portion 1108 contacts is shaded and not irradiated by light resulting in generating a curing defect area in the said area.

**[0011] (2) Seal Peeling:**

FIGS. 105a and 105b show liquid crystal instillations in the cell process of a liquid crystal panel in the past. FIG. 105a shows a state when liquid crystal (shown by a mark ) 1144 is dropped in equal intervals (in this example, matrix shape of three rows and four columns) in a similar shape to the frame shape of the sealing material 1106 on an upper surface of the array substrate inside the sealing material 1106. With respect to a dropping position of each liquid crystal 1144, the distance to a dropping position of an adjacent liquid crystal 1144 has a relation, as shown in the diagram, which is  $d_2=d_4=d_6=d_8>d_1=d_3=d_5=d_7$ . FIG. 105b shows a state in which the liquid crystal 1144 spreads after the array substrate and the CF substrate are attached. As shown in FIG. 105b, while the sealing material 1106 is formed in a rectangular frame shape, fluid drops of the dropped liquid crystal 1144 spread in a circular shape 1146 on the substrate surface. In a conventional dropping method, since fluid drops interfere with one another, approximately 20 minutes of time is required to sufficiently lessen a space 1145 and complete spreading liquid crystal.

[0012] Thus, in the conventional method, a long period of time is required to spread liquid crystal to corner portions of the sealing material 1106 and a waiting period for curing the sealing material is long. Accordingly, due to a difference in pressures between the inside and outside of both substrates, possibilities of occurring peeling of corner portions of the sealing material during the waiting period and generating liquid crystal leakage are high.

[0013] (3) Substrate Deformation and Display Irregularities:

Substrate holding in liquid crystal instillation in the conventional process

is performed by using vacuum chucks, electrostatic chucks or a mechanical retainer. In the substrate holding by vacuum chucks, a substrate is mounted on an attracting surface on a parallel surface plate and is fixed by vacuum-absorbing a back surface of a substrate. By this  
5 holding method, for example, an array substrate is held and an adequate amount of liquid crystal is dropped on an array substrate surface inside the frame shape of a sealing material by a dispenser and the like. Then, a CF substrate is positioned in the vacuum environment and entered into a process to be attached with an array substrate. However, since vacuum  
10 chucks do not function when a degree of vacuum increases to a certain point when the substrates are held by vacuum chucks, the degree of vacuum at the time of attaching substrates can not be sufficiently increased. Therefore, sufficient pressure for attaching both substrates can not be coated and evenly attaching both substrates is difficult.

15 [0014] Further, in a mechanical holding, since stress is applied only to the holding side portion of a substrate, deformations such as a curvature, deflection and the like occur in a substrate, and both substrates can not be held in parallel when attaching substrates after liquid crystal instillation. If the attachment is performed when both substrates are deformed, a  
20 displacement becomes large and problems of reduction in opening ratio of each electrode and light leakage from a shaded portion occur.

[0015] FIGS. 106a and 106b are diagrams describing substrate attachment by electrostatic chucks. FIG. 106a shows a plan view of an electrostatically attracted glass substrate 700 of the array substrate 1116 in two-piece  
25 structure as an example. FIG. 106b shows a cross section cut by a line A-A

in FIG. 106a when the array substrate 1116 and the CF substrate 1104 are to be attached.

[0016] As shown in FIGS. 106a and 106b, the areas to become two pieces of array substrate 1116 on the glass substrate 700 are electrically isolated from each other. Electrostatic chucks for electrically attracting the glass substrate 700 has four electrodes 740, 750, 760 and 770 on a parallel surface plate. The electrodes 740 and 750 among the four electrodes 740 through 770 structure positive electrodes and the electrodes 760 and 770 structure negative electrodes. One surface of the array substrate 1116 is electrostatically attracted by the positive electrode 740 and the negative electrode 760 and the other surface of the array substrate 1116 is electrostatically attracted by the positive electrode 750 and the negative 770. Space 680 is provided in a boundary between the positive electrode 740 and the negative electrode 760 and in a boundary between the positive electrode 750 and the negative electrode 770. Although an illustration by a plan view is omitted, the electrostatic chucks on a glass substrate 720 forming the CF substrate 1104 has a similar structure to the electrostatic chucks attracting the glass substrate 700.

[0017] By mounting the glass substrate forming a conductive film on the electrostatic chucks in such structure, applying voltage between the electrode and the conductive film and generating the coulomb's force between the glass and the conductive film, the glass substrate can be attracted. In the case of FIGS. 106a and 106b, the conductive film on the glass substrate 700 includes the pixel electrodes, gate wirings, data wirings and the like formed on the array substrate 1116 area. Further, the

conductive film on the glass substrate 720 forming the CF substrate area includes the common electrode and the like.

[0018] In order to attach substrates while holding the glass substrates 700 and 720 by such electrostatic chucks, the positive poles 740 and 750 are  
5 contacted to one of the two substantially equally divided areas of the array substrate 1116, the negative poles 760 and 770 are contacted to the remaining area, a predetermined voltage is applied between the positive and negative poles and the glass substrate 700 is electrostatically attracted. At this time, as shown in FIG. 106b, a surface corresponding to  
10 the positive poles 740 and 750 in the array substrate 1116 area of the glass substrate 700 is charged with negative (-) electricity and a surface corresponding to the negative poles 760 and 770 are charged with positive (+) electricity. Thus, on the conductive film of the array substrate 1116 corresponding to the air gap 680 of the boundary between the  
15 positive and negative poles, a boundary between a positive electric charge and a negative electric charge is formed.

[0019] Incidentally, an alignment film is formed on an upper portion of the conductive film of the array substrate 1116 and liquid crystal is dropped on the alignment film by instillation. Therefore, if the array substrate 1116  
20 area is electrostatically attracted according to the above method, impure ion in liquid crystal is selectively attracted on the alignment film at both sides of the boundary dividing the surface of the array substrate 1116 area into substantially two equal parts. Accordingly, the above method has a problem of generating display irregularities in which when a formed liquid  
25 crystal panel is displayed, the brightness in the two surfaces sandwiching

the said boundary varies.

[0020] Further, when the glass substrate 700 forming the array substrate 1116 and the glass substrate 720 forming the CF substrate 1104 are attached while being held by electrostatic attraction, if voltage in reversed polarity of positive or negative is applied on the opposing surfaces of both glass substrates 700 and 720 as shown in FIG. 106b, the coulomb's force is operated to each of the opposing substrates resulting in reduction of the substrate holding strength due to electrostatic attraction. Thus, possibilities of causing a substrate deformation or contacting the substrates with each other and causing electrostatic destruction exist.

[0021] Furthermore, a method in which substrates are held by electrostatic chucks of which the substrate holding strength is not affected by the degree of vacuum also has a problem in which a glow discharge occurs in the course of decompressing the atmospheric pressure for attaching substrates and may generate damage to a circuit or a TFT element on a substrate. Also, a phenomenon may occur in which an operation of the electrostatic chucks becomes unstable due to the air remained between the electrostatic chucks and the substrates, and the substrates break off from the electrostatic chucks in the course of the substrate attachment process.

[0022] (4) Variations in Cell Gap:

In order to evenly spread liquid crystal inside both substrates in the instillation process, liquid crystal is required to be dropped at multiple points on a substrate surface by dispenser or the like. However, since the amount of liquid crystal to be dropped per one substrate surface is minute,

when dropping positions are scattered into multiple points, an extremely small amount of liquid crystal must be accurately dropped. Nevertheless, the amount of liquid crystal to be dropped varies due to variations in viscosity or volume of liquid crystal affected by changes in the environment such as temperature variations at the time of instillation or variations in quality of a dispenser. As a result, variations in cell gap between both substrates occur.

[0023] FIGS. 107a to 107c are cross sections cut vertical to a liquid crystal panel surface and shows an example of variations in cell gap. FIG. 107a shows a state in which a desired cell gap is obtained by an ideal liquid crystal instillation. In FIGS. 107a to 107c, the array substrate 1116 and the CF substrate 1104 are attached by the sealing material 1106 and a predetermined cell gap is secured by beads 1150 as spacers. However, if the amount of dropped liquid crystal increases, as shown in FIG. 107b, the sealing material 1106 can not be pressed to an intended gap due to excessive liquid crystal resulting in a problem in which display irregularities occur in the peripheral portion of a panel (periphery of picture-frame portion). When the amount of dropped liquid crystal is further increased, as shown in FIG. 107c, a phenomenon in which a center portion of a panel is expanded due to the sealing material 1106 causing a press defect occurs resulting in display irregularities on a whole surface.

[0024] (5) Degradation of Liquid Crystal:

Further, in a liquid crystal display fabricated by using the instilling method, a problem is generated in which display irregularities occur at the edge of a seal where a sealing material and liquid crystal contact. One of the

causes is described with reference to FIG. 109. FIG. 109 shows a partial cross section of the end portion of a liquid crystal display panel. An array substrate 1200 and an opposite substrate 1204 face each other through the aid of a sealing material 1202. A pixel electrode and a bus line (in FIG. 5 109, these are collectively referred by a code 1212) are formed on the array substrate 1200 surface facing the opposite substrate 1204, an alignment film 1214 is formed on the surface 1212, a common electrode and a color filter (in FIG. 109, these are collectively referred by a code 1216) are formed on the opposite substrate 1204 surface facing the array 10 substrate 1200, and an alignment film 1218 is formed on the surface 1216. A predetermined cell gap is kept and the liquid crystal 1206 is sealed between the opposing electrodes. As shown in the diagram, the liquid crystal 1206 at the end portion of a panel contacts with the sealing material 1202.

15 [0025] If UV irradiation is performed toward the sealing material 1202 for curing the sealing material in such a structure, UV light is slightly dispersed and a liquid crystal 1220 in a hatched area shown in the diagram adjacent to the sealing material 1202 is also irradiated. However, usually, if a liquid crystal material is irradiated by UV light, characteristics 20 of liquid crystal are degraded, and specifically, resistivity tends to be reduced and high voltage retention ratio required in TFT-LCD and the like can not be kept. Therefore, operating voltage of a liquid crystal cell is different in comparison with a portion which is not irradiated by UV, display irregularities at half-tone display become prominent.

25 [0026] Further, since an area where the sealing material 1202 before UV



irradiation and the liquid crystal 1206 make contact is large in an instilling method, the possibility of contaminating a liquid crystal material due to uncured sealing material is high. In order to suppress this liquid crystal contamination, a UV sealing material is required to be rapidly cured by  
5 instantly performing UV irradiation. However, there is a problem in which if a UV light high in strength is irradiated in order to reduce irradiation time, damage caused by the light leakage to the liquid crystal material also becomes large.

[0027] As described above, photo-curing resin or heat-curing resin is used  
10 for a sealing material in the instilling method. As preceding technologies relative to photo-curing a sealing material, a technique in which ultraviolet light is irradiated through a mask having a predetermined pattern transmitting light to attached substrates (Japanese Laid-open Patent Application No. 09-61829), a technique in which an upper and lower  
15 substrates are arranged facing each other so that a shaded portion is not overlapped with a position a seal is arranged (Japanese Laid-open Patent Application No. 09-90383), a technique in which a panel is pressed by a pressure difference between the pressure at the time of attachment of substrates and the atmospheric pressure or the pressure in a vacuum  
20 chamber after the attachment (Japanese Laid-open Patent Application No. 10-26763) and the like are known.

[0028] However, even if these techniques are used, the photo-curing process in the instilling method holds problems described below.

First, photo-degradation of liquid crystal can be cited. Although  
25 ultraviolet-light-curing resin is used for photo-curing resin because of the

preservation ability and the adhesive strength as previously described, when ultraviolet light is irradiated to liquid crystal, photolysis reaction makes progress and an ion impurity is generated. This ion impurity causes display defects such as irregularities due to a reduction in voltage retention ratio or in image persistence. For this reason, a use of a mask having a predetermined pattern transmitting light as disclosed in the above document (Japanese Laid-open Patent Application No. 09-61829) is conceivable. However, this method of using a mask has a problem in which since a mask is required for each seal pattern and the number of processes is increased by a mask alignment process, the goal of the instilling method of liquid crystal such as reducing a fabrication cost of a panel and improving mass productivity may be rather prevented than accomplished.

[0029] Secondly, enlargement of an outside dimension of a panel can be cited. Usually a terminal made of many metal films is formed in a non-display area on the array substrate side. In order to arrange an upper and lower substrates facing each other so that a shading portion of the substrates do not overlap with a position a sealing material is arranged as described in the above document (Japanese Laid-open Patent Application No. 09-90383), essentially, a seal is required to be formed outside the picture frame of a black matrix, thereby resulting in enlargement of an outside dimension of a panel.

[0030] Thirdly, there is a problem of displacement. Since curing of a seal is instantly performed in photo-curing, the stress due to a waviness and curvature which are natural characteristics of a substrate tend to stay. If a

heat treatment is performed in this state, the stress is released and a displacement of a substrate occurs.

[0031] Fourthly, there is a problem of press defect. In instillation, a whole substrate is pressurized by a pressure difference between the pressure at  
5 the time of attaching substrates and the atmospheric pressure or the pressure in a vacuum chamber after the attachment as described in the above document (Japanese Laid-open Patent Application No. 10-26763) to spread liquid crystal. Immediately after pressurization, since liquid crystal does not yet reach a sealing material, the sealing material is instantly  
10 pushed and pressed to the thickness of a spacer inserted between substrates. However, since the inside of the panel is thicker than a predetermined thickness, the sealing material is subsequently pushed back. Although the thickness of the panel gradually approaches the predetermined thickness and the sealing material is again pressed to the  
15 thickness of a spacer by extending shelf time, liquid crystal is contaminated from uncured sealing material in the time the liquid crystal is left. Therefore, as a matter of fact, curing is required to be performed in the least amount of time. Due to this balance, sufficient shelf time can not be taken and insufficient shelf time becomes a cause of generating press  
20 defect.

[0032] In the above vacuum injection method or instilling method, in order to cure a sealing material in a short period of time, photo-curing resin or photo plus heat-curing resin is used for a seal. However, in the instilling method, there is a possibility in which a sealing material contacts with  
25 liquid crystal when the sealing material is uncured. If a sealing material

component elutes into liquid crystal or ultraviolet light is irradiated to adjacent liquid crystal when a sealing material is cured and liquid crystal is resolved by photolysis, the voltage retention ratio of liquid crystal at the edge of a seal is reduced, thereby occurring display irregularities.

5 [0033] In order to deal with this problem, for example, in the Japanese Laid-open Patent Application No. 06-194615, a liquid crystal display in which a column-shape spacer is arranged outside the pixel area on either one of a pair of substrates and a frame-shape spacer (frame-shape structure) is arranged along the fringe periphery of the said substrate is disclosed. These spacers are simultaneously formed in a  
10 photolithography process and are used to fabricate a liquid crystal panel using an instilling method.

[0034] FIG. 110a shows a part of an upper surface of a conventional active-matrix type liquid crystal panel 1100 different from the one using a TFT as a switching element shown in FIG. 104 viewed from a CF (color filter)  
15 substrate side. FIG. 110b shows a partial cross section cut at a line A-A of FIG. 110a. A plurality of pixel areas 1114 arranged in a matrix shape are formed on an array substrate 1116 side of the liquid crystal display panel 1100 and a TFT (not shown in the diagram) is formed in each pixel area  
20 1114. A picture display area 1110 is formed by a plurality of pixel areas 1114.

[0035] A CF substrate 1104 is formed smaller than the array substrate 1116 by approximately the width of a terminal portion 1102 and arranged facing the array substrate 1116 while sealing a liquid crystal at a predetermined  
25 cell gap. The array substrate 1116 and the CF substrate 1104 are attached

by a main seal 1106 made of photo-curing type resin. A width 1106' shown by double dotted lines indicates the width of the main seal 1106 at the time of coating. A frame-shape structure 1111 separating the main seal 1106 and the liquid crystal 22 is formed in the area between the main seal 1106 and the display area 1110. The liquid crystal 22 is sealed in the area surrounded by the frame-shape structure 1111 between the array substrate 1116 and the CF substrate 1104.

[0036] A common electrode (not shown in the diagram) and color filters (indicated by letters R(red), G(green), B(blue) in the diagram) are provided on the CF substrate 1104. A BM picture frame 1108 and a BM deciding the space between pixel areas are also formed on the CF substrate 1104. An external peripheral end of the frame-shape structure 1111 is arranged inside an external peripheral end of the BM picture frame viewed from a direction vertical to the surface of the substrate 1116. Therefore, a peripheral end portion inside the main seal 1106 overlaps with a peripheral end portion outside the BM picture frame 1108 and an area 1107 is formed. Thus, UV light is shaded by the BM picture frame 1108 and a curing defect of the main seal 1106 is generated in the area 1107.

[0037] Further, as shown in FIG. 111, if the frame-shape spacer 1111 equivalent to a cell gap alone is provided in the fringe periphery of the CF substrate 1104 when liquid crystal more than the amount to fill the frame-shape spacer 1111 at instillation is dropped, excess liquid crystal flows over the frame-shape spacer 1111, uncured sealing material 1106 and the liquid crystal 22 make contact, thereby dispersing contaminant. Furthermore, as shown in FIG. 112, if a cell gap is thick, the liquid crystal

22 easily flows over the frame-shape spacer 1111 before the liquid crystal 22 is completely spread. FIG. 112 shows a state in which a surface of the array substrate 1116 is viewed from the CF substrate 1104 side. When the liquid crystal 22 is dropped at a plurality of liquid crystal dropping points  
5 by using a liquid crystal instilling method, and the substrates 1116 and 1104 are attached, a boundary 1123 of the liquid crystal 22 at the time of attachment is gradually spread. Before the liquid crystal 22 is completely spread, an uninjected portion of liquid crystal 1121 is formed, and even if there is no excess liquid crystal, since the cell gap is higher than the  
10 height of the frame-shape spacer 1111, the liquid crystal boundary 1123 flows over the frame-shape spacer 1111 and, for example, at a position 1122, contacts with uncured main seal 1106. Also, as shown in FIG. 113, since the atmospheric pressure evenly operates on the whole substrate surface when the substrates are returned in an atmosphere after  
15 attachment, the center of the substrate becomes depressed with respect to the main seal 1116 in which the resistance is larger. As a result, the frame-shape spacer 1111 is lifted up and the liquid crystal 22 contacts with the main seal 1106.

[0038] In addition to the problems described above, the conventional  
20 instilling method further holds problems identified below.

**(6) Seal Peeling Due to a Curing Defect:**

A black matrix (BM: shading film) is usually formed in the fringe periphery portion (picture frame) of a liquid crystal display substrate. Unless a frame-shape spacer is strategically arranged, when a sealing material is  
25 spread after substrates are attached, a part of the sealing material

overlaps with the end of a BM picture frame and UV light is obstructed, thereby resulting in curing defects. Since adhesive strength is weak in the portion of a curing defect, external stress is concentrated and peeling of a sealing material is induced. If a position of a sealing material is sufficiently apart from the end of a BM picture frame, such defects do not occur. However, by so doing, the picture-frame area is enlarged and the glass substrate surface can not be efficiently utilized.

**[0039] (7) Excess Liquid Crystal Flowing Over a Frame-Shape Spacer:**

If a column-shape spacer equivalent to a cell gap alone is provided in a fringe periphery of a substrate, when liquid crystal more than the amount to fill the frame-shape spacer is dropped at the time of instillation, an excess liquid crystal flows over the frame-shape spacer, uncured sealing material and liquid crystal contact, thereby dispersing contaminant. Further, when there are variations in a dropping amount from a dropping dispenser even if the dropping of liquid crystal is controlled, or when liquid crystal reaches the frame-shape spacer before liquid crystal fully fills inside the frame, since a cell gap is thick before liquid crystal is completely spread, liquid crystal easily flows over the frame-shape spacer.

**[0040] (8) Irregularities Due to a Dropping Mark:**

A liquid crystal display fabricated by an instilling method has a problem in which a "dropping mark" in the area liquid crystal is dropped is seen as an irregularity. FIGS. 114a through 114c show an example of the "dropping mark". FIG. 114c shows a liquid crystal instillation in a state in which a dropped liquid crystal 136 is adhered on an alignment film 134 on a substrate 132. In display irregularities due to "dropping marks", there are

irregularities 130 as shown in FIG. 114a in which boundaries of the  
dropped areas are visible and surface irregularities 131 as shown in FIG.  
114b in which the brightness of the whole dropped areas is different from  
the brightness of the periphery. After dropped liquid crystal and an  
5 alignment film contacts, an instilled panel is positioned and attached, and  
then liquid crystal is spread in a vacuum.

[0041] The cause of the "dropping mark" is considered to be a contact  
between liquid crystal and an alignment film in the atmospheric pressure.  
Further, a degree of the "dropping mark" is found to be different  
10 depending on a liquid crystal material for dropping and a material for an  
alignment film. If a liquid crystal material has strong polarity and a  
material for liquid crystal and a material used for an alignment film  
material are inferior in electrical characteristics (i.e. low voltage retention  
ratio, high ion density, large residual DC voltage), the "dropping mark"  
15 tends to be more visibly generated. Specifically, although in a liquid  
crystal panel in which alignment control of liquid crystal of MVA-(multi-  
domain vertical alignment) mode can be realized, N-type (negative  
dielectric anisotropy:  $\Delta \epsilon < 0$ ) liquid crystal material and a vertical  
alignment film are required, material selection for these materials is  
20 limited in comparison with P-type liquid crystal material and a horizontal  
alignment film, and there are only few materials among the existing  
materials which satisfy requirements of electrical characteristics.  
Therefore, liquid crystal even more reliable is required to be used for a  
liquid crystal material which contacts with an alignment film in the  
25 atmospheric pressure and a different fabrication method from before is



required.

[0042] (9) Other Problems:

Furthermore, an instilling method has a problem in which administration to prevent substrates failed at instillation due to troubles in the process and substrates failed to create a cell gap adjacent to a main seal from advancing to subsequent processes is difficult. Specifically, since the birefringence of liquid crystal viewed from the front surface of a panel when voltage is not applied is equal to 0 in an MVA-mode liquid crystal panel, a liquid crystal layer is seen as the same as an air layer and grasping a state of liquid crystal instillation with certainty is difficult. Therefore, easily and steadily performing an inspection of display irregularities of a liquid crystal panel fabricated according to an instilling method is desired.

[0043] Also, in order to reduce contamination of liquid crystal due to a contact between liquid crystal and uncured sealing material, a use of a sealing material of high viscosity can be considered. However, a gap is difficult to create by a sealing material of high viscosity and a cell gap at the edge of a seal becomes thicker than a cell gap at the center of a display, thereby resulting in generating a problem of display irregularities.

[0044] Further, upon performing an instilling method, due to variations in the environment during the period up to when a sealing material is cured by UV irradiation after attaching substrates in a vacuum and subsequently returning the attached substrates in an atmosphere, changes in a condition of substrates at the time of UV irradiation, and a lack of stability in positioning substrates when a gap is created or the like, a displacement

in attaching or a displacement from substrate distortion is generated, or a gap defect is generated, thereby resulting in a problem in which producing a stable product is difficult.

5 [0045] An object of the present invention is to provide a liquid crystal display and a fabrication method thereof wherein liquid distillation can surely be performed in a cell process. Further, the object is achieved by a liquid crystal display which comprises a sealing material made of a photo-curing type material sealing liquid crystal sandwiched between two substrates, a shading area overlaying a red-colored layer to transmit color  
10 light, a green-colored layer to transmit green light and blue-colored layer transmitting blue light, wherein only the blue-colored layer is formed in the shading area contacting with the sealing material and the photo-curing type material for the sealing material has a light reactive area for a wavelength of blue-color band.

15 [0045] An object of the present invention is to provide a liquid crystal display and a fabrication method thereof wherein liquid distillation can surely be performed in a cell process. Moreover, the purpose of this invention is to provide the liquid crystal display which decreases poor hardening of the sealing materials of a photo-resist ingredient, and its  
20 fabricating method. Furthermore, the purpose of this invention is to provide the liquid crystal display which prevents peeling of a sealing material, and a fabricating method thereof. Furthermore, the purpose of this invention is to provide the liquid crystal display which decreased substrate deformation and a poor display, and a fabricating method  
25 thereof. Furthermore, the purpose of this invention is to reduce

irregularity of dispersion of liquid crystal in the cell gap at the time of using the dropping method, and can obtain excellent cell gap, and a fabricating method thereof. This invention is made in order to solve the problem generated by using the dropping method, and provide a liquid crystal, and fabricating method thereof wherein liquid crystal display cannot be degraded even after the UV irradiation to harden sealing material is performed. Furthermore, the purpose of this invention is to provide a liquid crystal display which decreases the displacement of the lamination substrates occurred in the process of hardening of the sealing material, and fabricating method thereof. Furthermore, the purpose of this invention is to provide a liquid crystal display which has improved the poor press of the substrate in dropping method, and fabricating method thereof. Furthermore, the purpose of this invention is to provide the liquid crystal display which prevents expansion of the external shape of panel in dropping method, and fabricating method thereof. The purpose of this invention is to provide a liquid crystal display in which the frame-shaped structure and a black matrix frame were formed in the area between the main seal and a display area, which prevents peeling of sealing material and can prevent contamination of the liquid crystal by the non-hardened sealing material. Moreover, the purpose of this invention is to improve a liquid crystal dropping method in a production process of a liquid crystal display of MVA mode, and provides a fabricating method of a liquid crystal display that can reduce irregularity of display. Furthermore, the purpose of this invention is to provide a fabricating method of a liquid crystal display that can easily find out irregularity of display. Moreover, the

purpose of this invention is to provide a fabricating method of a liquid crystal display in which neither lamination gap nor the displacement of substrates generated by a distortion between two substrates even if it uses the dropping method.

5 [0046]

[Means for Solving the Problem]

The above-mentioned object is attained by a liquid crystal display which comprises a sealing material made of a photo-curing type material sealing liquid crystal sandwiched between two substrates, a shading area  
10 overlaying a red-colored layer to transmit color light, a green-colored layer to transmit green light and blue-colored layer transmitting blue light, wherein only the blue-colored layer is formed in the shading area contacting with the sealing material and the photo-curing type material for the sealing material has a light reactive area for a wavelength of blue-  
15 color band.

[0047] The above-mentioned object is attained by a liquid crystal display wherein the red-colored layer, the green-colored layer and the blue-colored layer are respectively made of the same material as a forming material of color filters of red, green and blue formed corresponding to  
20 each pixel.

**[0048]** The above-mentioned object is attained by a liquid crystal display sealing liquid crystal by attaching opposing two substrates using a sealing material formed outside of a display area forming a plurality of pixels comprising a concave shape structure provided in a frame shape  
5 inside the sealing material and outside the display area, at least on one of the two substrates.

**[0049]** The above-mentioned object is attained by a liquid crystal display sealing liquid crystal by attaching opposing two substrates using a sealing material formed outside of a display area forming a plurality of  
10 pixels further comprising a hollow frame-shape sealing material formed at an external periphery of the sealing material.

**[0050]** The above-mentioned object is attained by a method of fabricating a liquid crystal display having processes of sealing liquid crystal by attaching two substrates with a sealing material made of a photo-curing  
15 type material, and curing the sealing material by irradiating light to the sealing material comprising:

using a photo-curing type resin having a light-reactive area to light of a wavelength of blue color band as the photo-curing material; and  
forming only a colored layer transmitting light of a blue color band at a  
20 shading film area contacted by the sealing material when attaching the two substrate. A method of fabricating a liquid crystal display as set forth in claim 21, wherein the forming step comprises simultaneously forming the colored layer at a formation time of a blue color filter formed on a pixel.

**[0051]** The above-mentioned object is attained by a method of fabricating  
25 liquid crystal display having processes of dropping liquid crystal at a

plurality of positions on one of substrates and attaching the one of the substrate with the other substrate comprising: varying dropping amount of the liquid crystal depending on a dropping position.

5 [0052] The above-mentioned object is attained by a method of fabricating liquid crystal display having processes of dropping liquid crystal at a plurality of positions on one of substrates and attaching the one of the substrate with the other substrate comprising: dropping the liquid crystal by combining a plurality of dropping patterns deciding a dropping position.

10 [0053] The above-mentioned object is attained by a method of fabricating a liquid crystal display having processes of dropping liquid crystal at a plurality of positions on one of substrates and returning the substrates to a pressurized state after attaching the one substrate and the other substrate via a sealing material under a pressure reduction comprising:  
15 forming a structure for controlling spreading of dropping liquid crystal on the substrate.

[0054] The above-mentioned object is attained by a method of fabricating liquid crystal display having processes of dropping liquid crystal at a plurality of positions on one of substrates and attaching the one of the  
20 substrate with the other substrate comprising:  
reducing a pressure of an atmosphere under a state mechanically retaining at least the one or the other substrate when attaching the both substrates; and  
switching the retention of the substrate from a mechanical retention to a  
25 retention by a electrostatic chuck when reached to a predetermined air

pressure.

[0055] The above-mentioned object is attained by a method of fabricating liquid crystal display, wherein the switching step comprises attracting and retaining the substrates at the air pressure less than  $1 \times 10^{-1}$  torr by the electrostatic chuck. A method of fabricating liquid crystal display as set forth in claim 39 wherein the switching step comprises electrostatically attracting the substrates by applying a voltage of the same polarity for each panel formation area of a plurality of panel formation areas formed on the substrates by the electrostatic chuck.

[0056] The above-mentioned object is attained by a method of fabricating liquid crystal display, further comprising a step of respectively attracting both of the one and the other substrates by the electrostatic chuck, and applying a voltage of the same polarity to opposing areas of the one and the other substrates when attaching the one and the other substrates by opposing to each other.

[0057] The above-mentioned object is attained by an electrostatic chuck comprising an electrode attracting a substrate by applying a voltage having comb shape electrodes opposing by alternating positive and negative comb shape electrodes.

[0058] The above-mentioned object is attained by a method of fabricating liquid crystal display having processes of dropping liquid crystal on one of substrates and attaching the one of the substrates with the other substrate comprising: providing a concave shape structure defining a cell thickness inside of frame-shape sealing material formed on a substrate for attaching substrates and outside of a display area;

dropping liquid crystal having the amount sufficient for filling the display area and the amount not sufficient for filling inside of the sealing material; and draining a residual liquid crystal overflowing from the display area to a space portion formed between the sealing material and the concave  
5 shape structure when attaching the one and the other substrates.

[0059] The above-mentioned object is attained by a method of fabricating liquid crystal display having processes of dropping liquid crystal on one of substrates and attaching the one of the substrates with the other substrate comprising:

10 forming a frame-shape sealing material on a substrate for attaching substrates in double frame structure; providing an open portion to flow out liquid crystal to the sealing material inside; dropping liquid crystal having the amount sufficient for filling inside of the sealing material inside and the amount not sufficient for filling the inside of the sealing material  
15 outside; and draining residual liquid crystal from the open portion to between the internal sealing material and the external sealing material when attaching substrates.

[0060] The above-mentioned object is attained by a method of fabricating liquid crystal display wherein the switching step comprises  
20 electrostatically attracting the substrates by applying a voltage of the same polarity for each panel formation area of a plurality of panel formation areas formed on the substrates by the electrostatic chuck.

[0061] The above-mentioned object is attained by a liquid crystal display having a sealing material made of a photo-curing type material sealing  
25 liquid crystal sandwiched between two substrates comprising a light-



reflection layer having a concavo-convex structure formed in an area contacting with the sealing materials of at least one of the two substrates.

[0062] The above-mentioned object is attained by a liquid crystal display having a sealing material made of a photo-curing type material sealing  
5 liquid crystal sandwiched between two substrates comprising an alignment film formed adjacent to the sealing material of the two substrates for perpendicularly aligning the liquid crystal molecules.

[0063] The above-mentioned object is attained by a liquid crystal display having a sealing material made of a photo-curing type material sealing  
10 liquid crystal sandwiched between two substrates comprising: two electrodes opposing between the two substrates and provided at an area between pixel display areas and the sealing material.

[0064] The above-mentioned object is attained by a method of fabricating a liquid crystal display having processes of dropping liquid crystal at a  
15 plurality of positions on one of substrates, attaching the one of the substrates with the other substrate via a sealing material made of a photo-curing type material, and curing the sealing material by irradiating light thereon comprising: using a polarized light in the curing process.

[0065] The above-mentioned object is attained by a method of fabricating  
20 a liquid crystal display having processes of dropping liquid crystal at a plurality of positions on one of substrates, attaching the one of the substrates with the other substrate via a sealing material made of a photo-curing type material, and curing the sealing material by irradiating light thereon comprising: irradiating the light after perpendicularly aligning the  
25 molecules of the liquid crystal adjacent to the sealing material.

[0066] The above-mentioned object is attained by a liquid crystal display comprising a sealing material made of a photo-curing type material sealing liquid crystal sandwiched between two substrates, wherein at least one of areas of the sealing material contacting with one of the substrates overlaps with a shading film formed on one of the substrates.

[0067] The above-mentioned object is attained by a method of fabricating a liquid crystal display having processes of dropping liquid crystal at a plurality of positions on one of substrates, attaching the one of the substrates with the other substrate via a sealing material made of a photo-curing type material, and curing the sealing material by irradiating light thereon comprising: forming at least a part of a contacting area to the other substrate of the sealing material so as to overlay with a shading film formed on the other substrate; and curing the sealing material by irradiating light on an area containing a color filter formed on the other substrate.

[0068] The above-mentioned object is attained by a liquid crystal display having a sealing material made of a photo-curing type material sealing liquid crystal sandwiched between two substrates comprising a shading film formed on one of the two substrates; a transfer added colored particles, formed at the lower portion of the shading film, and electrically connected to the two substrates; and a light incident hole opened at the shading film above the transfer.

[0069] The above-mentioned object is attained by a method of fabricating a liquid crystal display having processes of dropping liquid crystal at a plurality of positions on one of substrates, attaching the one of the

substrates with the other substrate via a sealing material made of a photo-curing type material, and curing the sealing material by irradiating light thereon comprising: fixing the one substrate on the one of a parallel plates, pressing the other substrate attached to the one substrate by the  
5 other of the parallel plates, and curing the sealing material by irradiating light thereon.

[0070] The above-mentioned object is attained by a method of fabricating a liquid crystal display having processes of dropping liquid crystal at a plurality of positions on one of substrates, attaching the one of the  
10 substrates with the other substrate via a sealing material made of a photo-curing type material, and curing the sealing material by irradiating light thereon comprising: including a photo-polymerization-type material in the liquid crystal; and curing the sealing material after curing the liquid crystal by irradiating light thereon.

[0071] The above-mentioned object is attained by a liquid crystal display having a sealing material made of a photo-curing type material sealing liquid crystal sandwiched between two substrates comprising protrusions,  
15 for positioning when attaching the two substrates, formed on the two substrates.

[0072] The above-mentioned object is attained by a liquid crystal display comprising two substrates sandwiching liquid crystal and opposing to each other; a main seal attaching the two substrates at an external peripheral portion of a display area of the substrates; a frame-shape structure formed in the area between the main seal and the display area;  
20 and a black matrix picture-frame shading an area between the main seal  
25

and the display area; wherein an external peripheral end of the frame-shape structure and an external peripheral end of the black matrix picture-frame are formed to be coincide with to each other viewing from a perpendicular direction to the substrates.

5 [0073] A liquid crystal display of the this invention characterizes in that the frame-shape structure has a height substantially half of that of a spacer arranged in the display area, a perpendicular alignment film being formed on at least one of a surface of the frame-shape structure and an opposing area thereof. A liquid crystal display of the this invention  
10 characterizes in that an external peripheral end of the frame-shape structure and an external peripheral end of the black matrix picture-frame are formed to be coincide with to each other viewing from a perpendicular direction to the substrates. A liquid crystal display as set forth in claim 7, wherein a part or all of the second frame-shape structure is formed in the  
15 black matrix picture-frame and black matrix is not formed on the seal formation area.

[0074] In comparison to the vacuum injection method widely used for panel fabrication in the past, the instilling method of this invention has possibilities to reduce costs of fabricating a panel and to improve mass  
20 productivity owing to first, substantial reduction in the amount of liquid crystal to be used and second, reduction in time to inject liquid crystal and the like, therefore application of this instilling method is strongly desired in the panel fabrication process

[0075] The above-mentioned object is attained by a method of fabricating  
25 a liquid crystal display having processes of dropping liquid crystal at a

plurality of positions on one of substrates, attaching the one of the substrates with the other substrate via a sealing material made of a photo-curing type material, and curing the sealing material by irradiating light thereon comprising:

- 5 dropping the liquid crystal so as to overlap more than two kinds of liquid crystals having different component in the same dropping area in the dropping step. A method of fabricating a liquid crystal display of the this invention characterizes in that the more than two kinds of liquid crystal having a first liquid crystal with relatively high reliability and a second  
10 liquid crystal with lower reliability, the second liquid crystal being dropped on a first liquid crystal dropped on a substrate after dropping the first liquid crystal.

[0076] The above-mentioned object is attained by a method of fabricating a liquid crystal display having processes of dropping liquid crystal at a  
15 plurality of positions on one of substrates, attaching the one of the substrates with the other substrate via a sealing material made of a photo-curing type material, and curing the sealing material by irradiating light thereon comprising: attaching both substrates so as to relatively shift end portions of the one and the other substrates; and arranging an external  
20 connecting terminal for a panel inspection at a shifted area.

[0077] The above-mentioned object is attained by a method of fabricating a liquid crystal display having processes of dropping liquid crystal on one of substrates, attaching the one of the substrates with the other substrate via a sealing material made of a photo-curing type material, and curing the  
25 sealing material by irradiating light thereon comprising: forming a main

seal in periphery of a panel area; forming a dummy seal like surrounding the main seal at a predetermined space; and forming a vacuum area in the space when attaching the substrates, and creating a gap of the main seal utilizing a power operating to the vacuum area under an atmospheric pressure.

5 [0078] The above-mentioned object is attained by a method of fabricating a liquid crystal display having processes of dropping liquid crystal on one of substrates, attaching the one of the substrates with the other substrate via a sealing material made of a photo-curing type material, and curing the sealing material by irradiating light thereon comprising: dropping liquid crystal at a plurality of positions on one of substrates, attaching the one of the substrates with the other substrate via a sealing material made of a photo-curing type material, and curing the sealing material by irradiating light thereon.

10 [0079] The above-mentioned object is attained by a method of fabricating a liquid crystal display having processes of dropping liquid crystal on one of substrates, and attaching the one of the substrates with the other substrate via a sealing material made of a photo-curing type material, and curing the sealing material by irradiating light thereon comprising: forming a main seal in a periphery of a panel area; forming a dummy seal like surrounding the main seal at a predetermined space; and dropping the liquid crystal inside the main seal and in the space.

15 [0080] The above-mentioned object is attained by a method of fabricating a liquid crystal display comprising: forming a main seal by depositing ultraviolet-light-curing resin at an external peripheral portion of a display

area of a substrate; forming a frame-shape structure, which shades ultraviolet light, at an area between the main seal and the display area; sandwiching liquid crystal by attaching the substrate and an opposing substrate; and curing the main seal by irradiating ultraviolet light from a  
5 horizontal or diagonal direction to the substrate surface.

[0081] A method of fabricating a liquid crystal display of the present invention characterizes in that the curing step comprises mounting the substrate on a substrate stage forming a concavo-convex structure, and reflecting ultraviolet light irradiated from the diagonal direction to the  
10 main seal with the concavo-convex structure.

[0082] The above-mentioned object is attained by a liquid crystal display having a sealing material made of a photo-curing type material sealing liquid crystal sandwiched between two substrates comprising a light-reflection layer having a concavo-convex structure formed in an area  
15 contacting with the sealing materials of at least one of the two substrates.

[0083] The above-mentioned object is attained by a liquid crystal display sealing liquid crystal by attaching opposing two substrates using a sealing material formed outside of a display area forming a plurality of pixels comprising a plurality of structures formed inside the sealing  
20 material for controlling spreading of dropping liquid crystal.

[0084] A liquid crystal display of the present invention characterizes in that the plurality of the structures are distributed on the substrate at a predetermined arrangement density or a predetermined arrangement shape.

25 [0085] The above-mentioned object is attained by a method of fabricating

a liquid crystal display having processes of dropping liquid crystal at a plurality of positions on one of substrates and returning the substrates to a pressurized state after attaching the one substrate and the other substrate via a sealing material under a pressure reduction comprising:  
5 forming a structure for controlling spreading of dropping liquid crystal on the substrate.

[0086] A method of fabricating a liquid crystal display of the present invention characterizes in that the step of forming comprises controlling an arrangement density or arrangement shape of the structure so that  
10 spreading speed of the dropping liquid crystal is high in the diagonal direction of the sealing material formed in a frame shape.

[0087] The above-mentioned object is attained by a liquid crystal display having a main seal formed in a frame shape containing a photo-curing type material sealing liquid crystal sandwiched between two substrates  
15 comprising a interconnecting structure having a peeling strength greater than that of the main seal partially arranged adjacent to a corner portion of the main seal and in an area being outside of the main seal and inside from an end portion of one substrate.

[0088] The above-mentioned object is attained by a A liquid crystal display  
20 having a main seal formed in a frame shape containing a photo-curing type material sealing liquid crystal sandwiched between two substrates comprising a structure having a thickness equivalent to a cell gap and a L-shape in accordance with a corner shape of Black Matrix picture-frame for shading, and arranged adjacent to a corner portion of the main seal  
25 and in an area being inside of the main seal and outside of a display area.



[0089]

[Description of the Preferred Embodiments]

A liquid crystal display and a fabrication method thereof according to a first embodiment of the present invention is described with reference to  
5 FIG. 1a through FIG. 3. In this embodiment, the liquid crystal display and the fabrication method of the liquid crystal display reducing curing defects of a sealing material and steadily performing instillation of liquid crystal in a cell process are described. First, a schematic structure of a liquid crystal panel of the liquid crystal display according to this  
10 embodiment is described with reference to FIGS. 1a and 1b. FIG. 1a shows a part of an upper surface of an active matrix type liquid crystal panel 1 using a TFT as a switching element viewed from a CF substrate side. FIG. 1b shows a partial cross section cut at a line A-A of FIG. 1a. A plurality of pixel areas 14 arranged in a matrix shape are formed on an array  
15 substrate 16 side of the liquid crystal panel 1 and a TFT 13 is formed in each of the pixel area 14. Further, as shown in FIGS. 1a and 1b, a picture display area 10 is structured by the plurality of the pixel areas 14. Although detailed diagrams are omitted, a gate electrode of the TFT 13 of each pixel area 14 is connected to a gate wiring and a drain electrode is  
20 connected to a data wiring respectively. Furthermore, a source electrode of the TFT 13 is connected to a pixel electrode formed in the pixel area 14. A plurality of the data wirings and the gate wirings are connected to a terminal portion 2 formed in an external periphery of the array substrate 16 to be connected to a driving circuit (not shown in the diagram)  
25 provided outside.

[0090] A CF substrate 4 formed smaller than the array substrate 16 by approximately the width of the terminal portion 2 seals liquid crystal at a predetermined cell gap and is arranged opposing the array substrate 16. The array substrate 16 and the CF substrate 4 are attached by a sealing material 6 made of a photo-curing type resin. The photo-curing type resin of the sealing material 6 to be described in detail later has light reactive area for the light with the wavelength of a blue-color band. A liquid crystal 22 is sealed in the area surrounded by the sealing material 6 between the array substrate 16 and the CF substrate 4.

10 [0091] Color filters (shown by the letters R(red), G (green), B (blue) in the diagram) along with a common electrode (not shown in the diagram) are arranged on the CF substrate 4. Further, BM's 8 and 18 laminating a color filter forming material and having a shading function are formed on the CF substrate 4. The BM 18 is used to earn contrast by deciding the plurality

15 of the pixel areas 14 in the display area 10 and to prevent the light leakage current from generating by shading the TFT 13. Furthermore, a BM picture-frame portion 8 is arranged to shade undesired light from outside the display area 10. The BM Picture-frame portion 8, as shown in FIG. 1b, is formed by laminating (by overlaying color-plates) sequentially from the CF

20 substrate 4, for example, a blue-colored layer 24 made of resin dispersing blue-color pigment, a green-colored layer 26 made of resin dispersing green-color pigment and a red-colored layer 28 made of resin dispersing red-color pigment. FIG. 2 shows the photo-transmission spectrum of the red-colored layer 28, the green-colored layer 26 and the blue-colored layer

25 24 when the film thickness is approximately 1.3 nm and the lateral axis

indicates the wavelength and the vertical axis indicates the transmissivity. As shown in FIG. 2, the peak wavelength of the photo-transmission spectrum for the red-colored layer 28 is equal to  $650\pm 10$  nm, the peak wavelength of the photo-transmission spectrum for the green-colored layer 26 is equal to  $540\pm 10$  nm and the peak wavelength of the photo-transmission spectrum for the blue-colored layer 24 is equal to  $460\pm 10$  nm. By laminating the colored layers 24, 26 and 28, the three primary colors are overlaid and a shading layer which does not pass the light is formed. The BM 18 is also formed by overlaying color-plates which is similar to FIG. 1b.

[0092] Further, as shown in FIG. 1b, an area 20 in which only the blue-colored layer 24 is formed to make contact with the sealing material 6 and the green-colored layer 26 and the red-colored layer 28 are not formed is arranged in the contacting area of sealing material 6 in the periphery of the BM picture-frame portion 8.

[0093] Thus, this embodiment is the liquid crystal display 1 providing the sealing material 6 made of the photo-curing type material to seal the liquid crystal 22 sandwiched between the two substrates 4 and 16 and shading films 8 and 18 having shading areas overlaying the red-colored layer 28, the green-colored layer 26 and the blue-colored layer 24, and has distinctive characteristics that only the blue-colored layer 24 transmitting blue-color light is formed at the shading film 8 area contacting the sealing material 6 and the photo-curing type material for the sealing material 6 is, for example, a resin material having the light reactive area for the light with the wavelength of the blue-color band. Further, the red-colored layer

28, the green-colored layer 26 and the blue-colored layer 24 forming the shading areas of the shading films 8 and 18 have a distinctive characteristic in using the color filter forming material for each color.

[0094] Operational effects by the liquid crystal display according to this  
5 embodiment, having the structure described above and the fabrication method of the display are described next. It will be noted that since the fabrication method of the liquid crystal display according to this embodiment has distinctive characteristics in reducing curing defects of sealing material and steadily performing instillation of liquid crystal in the  
10 cell process, other processes such as the array process forming a wiring pattern, switching element and the like on the glass substrate, the cell processes of the alignment layer treatment, arrangement of a spacer and the like, or the module processes attaching a driver IC, installing a back lighting and the like are similar to the conventional method and the  
15 description is omitted.

[0095] FIG. 3 shows the photo-absorption spectrum ( $\beta$ ) of the photo-curing type resin for the sealing material 6 according to this embodiment and the blue-color transmission spectrum ( $\gamma$ ) of the blue-colored layer 24 and further shows the photo-absorption spectrum ( $\alpha$ ) of the  
20 conventional photo-curing type resin for comparison. The lateral axis indicates the wavelength (unit: nm), the vertical axis on the left indicates the extinction rate (unit: none) to compare the photo-absorption spectrum ( $\beta$ ) of the photo-curing type resin according to this embodiment and the photo-absorption spectrum ( $\alpha$ ) of the conventional photo-curing  
25 type resin. The vertical axis on the right indicates the transmissivity

(unit: %) for the blue-color transmission spectrum ( $\gamma$ ) of the blue-colored layer 24. As shown in FIG. 3, the peak wavelength of the extinction rate for the photo-curing type resin according to this embodiment is shifted to the blue-color transmission spectrum ( $\gamma$ ) side in comparison with that of the conventional resin. Further, the half-width of the spectrum is wider in comparison with that of the conventional resin and a gentle curve from the peak extends to a relatively wide wavelength band. Accordingly, the photo-absorption spectrum ( $\beta$ ) of the photo-curing type resin according to this embodiment and the blue-color transmission spectrum ( $\gamma$ ) of the blue-colored layer 24 have an overlapping wavelength band as shown by hatching in FIG. 3.

[0096] Thus, even if the sealing material 6 made of the photo-curing type resin according to this embodiment contacts with the BM picture-frame portion 8 at the area 20, the light in the blue-color band transmitting the blue-colored layer 24 is irradiated in the curing process by irradiation, and thereby the subject area can sufficiently be cured without generating curing defects. It will be noted that the reason for using the blue-colored layer 24 is because the transmission spectrum for blue-color light is most on the short wavelength side as already shown in FIG. 2 and is close to the absorption spectrum for a general photo-curing type resin in the transmission spectrum of each color of the color filters.

[0097] Light reactive area of the photo-curing type resin vary depending on the kind of photo-initiator to be added. In this embodiment, the photo-initiator having the absorption area on longer wavelength side than the past is added to have the wavelength band overlap with the transmission

spectrum of the blue-color resin.

[0098] By using this photo-curing type resin, the frame-shape sealing material 6 is formed on the array substrate 16 to have the relative position shown in FIGS. 1a and 1b. After performing the instillation of liquid crystal, the CF substrate is attached to the array substrate 16. At this time, the blue-colored layer 24 of the BM picture-frame portion 8 and at least a part of the sealing material 6 overlap in the area 20. The sealing material curing is performed at this state by irradiating light 30 from upper portion of the surface of the CF substrate 4.

[0099] By arranging only the blue-colored layer 24 in the area 20 of the BM picture-frame portion 8 and using the photo curing type resin having the light reactive area in the transmission wavelength for the blue-color resin as the forming material of the sealing material 6 in this manner, even if the sealing material 6 contacts with the BM picture-frame portion 8, a light 32 transmitted from the area 20 in the blue-color wavelength band irradiates the sealing material 6 so that the sealing material 6 is cured. As shown in FIG. 2, since the transmission wavelength of the blue-color resin is in the range of approximately 380-550 nm with the peak in the adjacent of 460 nm, if the photo-curing type resin having the light reactive area in this range is used as the sealing material 6, curing can be steadily performed even if the sealing material 6 is formed in the BM area 20. Accordingly uncured component of the sealing material 6 does not make contact with liquid crystal for a long period of time, thereby preventing from liquid crystal contamination. As a result, while display irregularities due to curing defects occur all around the edge of seal in the past, a high-quality

picture without generating display irregularities can be obtained by the liquid crystal display 1 according to this embodiment.

[0100] As described above, the fabrication method of the liquid crystal display according to this embodiment seals the liquid crystal 22 by  
5 attaching the two substrates 4 and 16 using the sealing material 6 made of the photo-curing type material and in the fabrication method of the liquid crystal display fixing the two substrates 4 and 16 by curing the sealing material 6 by irradiating the light 30, uses the photo-curing type resin having the light reactive area to the light with the wavelength of the blue-  
10 color band as the photo-curing type material and forms only the blue-colored layer 24 to transmit the light of the blue-color band in the area 20 of the BM picture-frame portion 8 contacting the sealing material 6 when attaching the two substrates 4 and 16. Further, the blue-colored layer 24 is simultaneously formed when a blue-color color filter to be formed in the  
15 pixel is formed. Thus, by forming only the blue-colored layer 24 in the area 20, the light 32 in the blue-color band can be incident upon the sealing material 6 contacting the area 20. Therefore, the sealing material 6 using the photo-curing type resin having the light reactive area to the light with the wavelength of the blue-color band can be cured.

[0101] Next, a liquid crystal display and a fabrication method thereof according to a second embodiment of the present invention is described with reference to Table 1 through Table 3 and FIG. 4a through FIG. 7. It will be noted that the structuring elements having the same operational functions as the first embodiment are referred by the same codes and the  
25 descriptions are omitted. FIG. 4a shows a state of the liquid crystal display

according to this embodiment viewed from the opposite substrate 4 side.  
FIG. 4b is an enlarged cross sectional view of a circled area 290 of FIG. 4a.  
Although description is omitted in the first embodiment, as shown in FIGS.  
4a and 4b, usually a black matrix (BM) picture-frame portion 108 for  
5 shading is formed in the periphery of a display area where a color filter  
(CF) 230 of the opposing substrates is formed. This embodiment has a  
distinctive characteristic in coating the sealing material 6 so that a part of  
the internal periphery side of the sealing material 6 formed in the external  
periphery of the display area of the opposite substrate 4 overlaps the BM  
10 picture-frame portion 108. Specifically, the sealing material 6 is coated on  
the opposite substrate 4 so that the width (A) of the sealing material 6  
after pressing is equal to approximately 1.0 mm in width and at the same  
time the end portion of the sealing material 6 enters toward inside the BM  
picture-frame portion 108 by a distance of (B)=0.2 mm from the end  
15 portion of the BM picture-frame portion 108. The sealing material 6 is  
cured by vertically irradiating UV light from upper portion of the surface of  
the opposite substrate 4.

[0102] The ultraviolet transmissivity of the color plate for the color filter  
(CF) is described with reference to Table 1. The CF shown in Table 1 is a  
20 combination of each CF of the three primary colors red (R), green (G) and  
blue (B). When a xenon mercury lamp is used as the UV light source to  
cure the sealing material, the peaks of the bright line specifically  
degrading liquid crystal by the UV light which transmits and is incident  
upon the glass substrate are a line j (313 nm) and a line i (365 nm) as  
25 shown in Table 1. The color plate for the color filter hardly transmits



(transmissivity 1-2%) the line j and the line i, and the BM does not transmit either the line j nor the line i as well.

**TABLE 1**

5

Peak of Bright Line	250 nm	313 nm (j)	365 nm (i)
Glass	35%	79%	86%
CF	0%	0%	1.5%

Table 1 A table showing the transmissivity of ultraviolet through color plate for color filter

[0104] Next, a comparison of electric characteristics of liquid crystal when ultraviolet is irradiated with and without the color filter is shown in Table 2. In Table 2, the code "->" indicates variation before and after the UV irradiation. It will be noted that the irradiating direction of the UV light is the direction vertical to the substrate surface. When the ultraviolet is irradiated from upper part of an evaluation cell, while the degradation of the electric characteristics of liquid crystal "without CF (color filter)" is prominent, "with CF" has little effects.

15

**TABLE 2**

	Ion Density (pc/cm <sup>2</sup> )	Voltage retention ratio (%)
Without CF	20 -> 463	98.9 -> 88.2
With CF	18 -> 35	98.9 -> 98.9

Table 2 A table showing the electric characteristics of liquid crystal with and without CF

20

[0106] Therefore, if the color filter is used as a shading mask against the UV light, damages to the liquid crystal can be suppressed and other shading mask for each pattern to form the sealing material 6 is not required to prepare. Further, since the end portion of the sealing material 6 overlaps in the BM picture-frame portion 108, the liquid crystal 22 does not expose between the end portion of the sealing material 6 and the end portion of the BM picture-frame portion 108 and thereby the liquid crystal is not directly irradiated by the ultraviolet and the degradation of the liquid crystal can be prevented. Accordingly, a high-quality picture display without display irregularities can be performed. Furthermore, enlarging an outside dimension of a panel at instillation can be suppressed.

[0107] On the other hand, the conventional liquid crystal display is shown in FIGS. 5a and 5b as a comparative example. FIG. 5a shows a state of the conventional liquid crystal display viewed from an opposite substrate 200 side. FIG. 5b is an enlarged cross sectional view of a circled area 292 of FIG. 5a. In this comparative example, a space 220 is formed between the internal periphery side of a sealing material 202 formed in the external periphery of the display area of the opposite substrate 200 and the BM picture-frame portion 108 and the liquid crystal inside is in a state to be seen through the glass substrate. Specifically, the sealing material 202 is coated on the opposite substrate 200 so that the width (C) of the sealing material 202 after pressing is equal to approximately 1.0 mm and the distance (D) between the end portion of the sealing material 202 and the end portion of the BM picture-frame portion 108 is equal to 0.5 mm. The sealing material 202 is cured by irradiating the UV light vertically from

upper part of the substrate surface of the opposite substrate 200. As a result, since the liquid crystal layer exposes when irradiating the UV in this comparative example, display irregularities due to degradation of liquid crystal occur all around the edge of seal. Further, the distance (D) between the end portion of the sealing material 202 and the end portion of the BM picture-frame portion 108 becomes an obstacle to reduce the outside dimension of the panel.

[0108] Although in the above embodiment, the distance (B) overlapping the sealing material 6 and the BM picture-frame portion 108 is equal to 0.2 mm, the overlapping distance can be lengthened to approximately (B)=0.5 mm. Usually, when overlapping of the sealing material 6 and the BM picture-frame portion 108 is large, the end portion of the sealing material 6 is non-photo-curable. Since when the light initiator is irradiated and cloven activated species spread, the sealing material 6 can be cured if an overlapping distance is moderately fair even if there is a shading portion. Further, if a metal film exists on the lower surface of the sealing material 6, the light transmitted through the photo-curing resin performs a multiple reflections on the metal film, thereby effectively utilizing the energy from the UV light. This is similar to the first embodiment. Furthermore, if the UV light can directly reach the sealing material 6 in the area where UV light is incident diagonally and overlapped, the overlapping distance (B) can be equal to approximately 0.5 mm.

[0109] A comparison between the seal shading distance and the curability is shown in Table 3. This is the result when an acrylic type resin is used for a photo-curing resin, a cell is made by instillation and a part of the

sealing material 6 is shaded, and then the UV light is irradiated from the vertical direction to and from the diagonal direction of 45[deg.] in angle from the surface of the opposite substrate 4. The comparison of curability is performed by observing the alignment of the edge of the seal and

5 measuring the electric characteristics of the liquid crystal after annealing. According to the result of measuring, the shading distance (B) possible for curing when irradiated only from the vertical direction is equal to approximately 0.2 mm. As described in the first embodiment, if a light reflection layer (metal film) is on the array substrate 16, the UV light

10 having transmitted through the sealing material 6 is reflected on the light reflection layer and again used for curing the sealing material 6 so that the shading distance (B) possible for curing is equal to approximately 0.3 mm. Further, when the light reflection layer is on the array substrate 16 and at the same time the UV light is incident from diagonal 45[deg.] angle, the

15 shading distance (B) possible for curing is equal to approximately 0.5 mm. In table 3, when alignment irregularities occur or the reduction of the voltage retention ratio is more than 1%, photo-curing is considered unsatisfactory and indicated by X and satisfactory photo-curing is indicated by 0.

20 TABLE 3

Shading Distance	Under the Seal	Irradiation Direction	Curability
0.0 mm	Glass	Vertical	○
0.2 mm	Glass	Vertical	○
0.3 mm	Glass	Vertical	X
0.3 mm	Metal Film	Vertical	○
0.5 mm	Metal Film	Vertical	X
0.5 mm	Metal Film	Diagonal 45°	○

5

**Table 3** A table showing the relation between the seal shading distance and curability

[0111] Next, an improved structure related to the overlapping distance (B) of the sealing material 6 and the BM picture-frame portion 108 is described with reference to FIG. 6. FIG. 6 shows a state of the upper left portion of the panel viewed from the opposite substrate 4 side. As shown in FIG. 6, the sealing material 6 is usually formed curving in an arc shape at corner portions of the panel. Thus, in this example, corner portions of the BM picture-frame portion 108 are also curved into the arc shape along the curves of the sealing material 6. Specifically, the sealing material 6 having a width of 1 mm is curved into the arc shape at corner portions of the panel and accordingly the end portions of the BM picture-frame portion 108 overlapping with the sealing material 6 by 0.5 mm in width is also formed curving into the arc shape with a radius of 1 mm.

[0112] FIG. 7 is shown as a comparative example to the aforementioned. The corner portion of the BM picture-frame portion 108 shown in FIG. 7 is bent at a right angle unrelated to the arc-shape curve of the sealing material. Therefore, as shown in the diagram, an area where the overlap  
5 between the sealing material 6 and the BM picture-frame portion becomes 0.9 mm is generated. Since the sealing material 6 in such an area is not cured by the irradiation of UV light as evident in Table 3, the possibility of generating display irregularities in four corners of the display area exists.

[0113] By keeping the width overlapping the corner portions of the BM  
10 picture-frame portion 108 and the sealing material 6 within a predetermined range in the manner shown in FIG. 6 and by making the area overlapping the sealing material 6 and the BM picture-frame portion 108 substantially the same all around the panel, the sealing material 6 all around the panel can be sufficiently cured and a high-quality picture  
15 without display irregularities can be displayed.

[0114] Next, a liquid crystal display and a fabrication method thereof according to a third embodiment of the present invention is described with reference to FIG. 8 through FIG. 9. It will be noted that structuring elements having the same operation functions as the first and the second  
20 embodiments are referred by the same codes, and the descriptions are omitted. FIG. 8 shows a transfer 233 according to this embodiment arranged in the BM picture-frame portion 108. FIG. 9 shows a vicinity of the BM picture-frame portion 108 provided with the similar transfer to the past for comparison. The conventional transfer 231 shown in FIG. 9 is  
25 formed in the BM picture-frame portion 108 adjacent to the sealing

material 6. The transfer 233 according to this embodiment is also formed in the BM picture-frame portion 108 adjacent to the sealing material 6 in the similar manner to the past. Each of the transfers 231 and 233 are electrically connected to both of the substrates via transfer pads 232 and  
5 234.

[0115] A plurality of long and narrow rectangular-shape slits 236 are opened in the BM area on the transfer pad 234 shown in FIG. 8. The length (H) of a long side of the slit 236 is equal to approximately 1.00 mm and the length (I) of a short side is equal to approximately 0.2 mm. The length (J)  
10 of the space between the adjacent slits 236 is equal to 0.2-0.8 mm. A black-color conductive spacer depositing nickel (Ni) is added to the transfer 233. Slits are not formed on the conventional transfer 231 shown in FIG. 9 and the transfer 231 is shaded by the BM film.

[0116] A method of UV irradiation is similar to the above embodiments  
15 already described. As a result of UV irradiation, display irregularities occur due to curing defects of the transfer 231 in the conventional example. In this embodiment, display irregularities also occur due to photo-curing defects of the transfer 233, although better than the conventional example, when the length (J) of the space between the  
20 adjacent slits 236 is more than 0.6 mm. When the length (J) of the space between the slits 236 is less than 0.4 mm, neither display irregularities nor light leakage from back lighting occur.

[0117] Although it is possible to form the transfer 233 outside the sealing material 6, the outside dimension of the panel enlarges. Thus, the transfer  
25 233 is required to be formed inside the sealing material 6 in a narrow

picture-frame panel. In this case, the transfer 233 is formed in the BM picture-frame portion 108 and photo-curing defects are most likely to occur. Then, as the liquid crystal display according to this embodiment, light transmission windows such as the slit 236 and the like are arranged  
5 in the transfer area of the BM picture-frame portion 108 and colored particles such as the aforementioned black-color conductive spacer and the like are added to the transfer 233. Thus, photo-curing defects of the transfer 233 are eliminated and light leakage from the light transmission windows can be suppressed by mixing black-color or dark-color  
10 conductive particles in the transfer 233.

[0118] Further, as described above, a shape of the light transmission window is desired to be substantially the rectangular-shape slit and the slits are desired to be arranged so that the length (J) of the space between the adjacent slits are less than 0.4 mm. Furthermore, when colored-  
15 particles in the transfer 233 alone are insufficient to shade the light transmission windows, the light transmission windows are not required to be for a whole surface transmission and photo-curing is possible even if the window is substantially the rectangular-shape slit as long as the space between the slits is within the spreading distance of activated species.  
20 Since the spreading distance of the photo-cloven activated species is usually approximately 0.2 mm, the length (J) of the space between the slits is desired to be less than 0.4 mm even when considering to spread from both adjacent slits. It will be noted that since the colored particles are mixed in the transfer 233 in this embodiment, little UV light transmits  
25 the transfer 233 and curing by the wraparound of light due to multiple



reflection described above can hardly be expected.

[0119] Further, the shape of the light transmission window may be substantially the circular-shape dot and the dots may be arranged so that the length (J) of the space between the dots is less than 0.4 mm. In the similar manner described above, even when the light transmission windows are circular-shape dots, as long as the length of the space between the adjacent dots is within the spreading distance of the activated species, photo-curing is possible and substantially the same exterior view as the other BM picture-frame area can be obtained.

[0120] Next, a liquid crystal display and a fabrication method thereof according to a fourth embodiment of the present invention is described with reference to FIGS. 10a, 10b and FIG. 11. It will be noted that structuring element having the same operational functions as the first through the third embodiments are referred by the same codes and the descriptions are omitted. This embodiment has a distinctive characteristic in a UV light source irradiating UV light to the sealing material 6 and a line (linear) light source in accordance with the shape of the sealing material 6 is used. In order to photo-cure the photo-curing resin, the light more than the curing illuminance is required for irradiation. In case of photo-curing resin by ultraviolet light, the irradiation illuminance equal to approximately 50-100 mW/cm<sup>2</sup> is required. In order to obtain this illuminance by surface irradiation by the conventional light source, the lamp output is required to be made large and it is not practical. In the structure according to this embodiment, since only the predetermined area of the sealing material is irradiated, the lamp output can be

suppressed and furthermore, since the whole irradiation is possible, occurrences of misalignment of the substrates are also reduced.

[0121] FIG. 10a is an oblique view showing the UV light source and a state of using the UV light source according to this embodiment. FIG. 10b shows a part of the cross section cut at a line A-A of FIG. 10a. A UV light source 64 shown in FIGS. 10a and 10b are arranged in upper part of an attached substrate 62 of the array substrate 16 and the opposite substrate 4 with a predetermined distance and has a line light source 66 in a similar shape to the frame shape of the sealing material 6 and arranged outside the sealing material 6 slightly larger than the frame of the sealing material 6 on a flat surface substantially parallel to the surface of the attached substrate 62.

[0122] As shown in FIG. 10b, the upper surface of the sealing material 6 enters inside the BM picture-frame portion 108 by the width X. The UV light emitting from the line light source 66 enters inside the sealing material 6 from the area not overlapping with the BM picture-frame portion 108 on the surface of the sealing material 6. The incident angle  $[\theta]$  at this time is approximately  $45^\circ$ . In such a structure, the lamp light source 64 can be arranged closely to the sealing material 6. Therefore, the same intensity of radiation as in the past can be irradiated by the lamp output as low as several hundred W. Further, since only a part of the attached substrate 62 is irradiated, an increase in temperature of the attached substrate 62 by irradiation can be suppressed and the misalignment between the array substrate 16 and the opposite substrate 4 due to thermal expansion can also be suppressed within  $3 \mu\text{m}$ .

[0123] Thus, according to the UV irradiation light source 64 in this embodiment, the UV light can wraparound as far as the lower part of the BM picture-frame portion 108 since the light is irradiated from the outside diagonal direction (for example, diagonally 45°) of the BM picture-frame portion 108 with respect to the coating surface of the sealing material 6. Therefore, the overlap X between the sealing material 6 and the BM picture-frame portion 108 can be enlarged to approximately 0.8 mm, thereby further reducing the outside dimension of the panel. When the metal film exists on the lower surface of the sealing material 6, since the multiple reflection of the UV light by the diagonal irradiation is obtained, the overlap X between the sealing material 6 and the BM picture-frame portion 108 can be further expanded and the outside dimension of the panel can be further reduced. It will be noted that although the amount of light wraparounding the lower part of the BM picture-frame portion 108 by diagonal the lower part of the BM picture-frame portion 108 by diagonal irradiation increases, the intensity of irradiation to the coating surface of the sealing material 6 becomes lower than the irradiation from the vertical direction. Amount of light wraparounding due to the diagonal irradiation and intensity of irradiation on the coating surface of the sealing material are in a trade-off relationship and the irradiation from the angle of substantially 45[deg.] can be most effective.

[0124] A conventional UV irradiation light source 70 is shown in FIG. 11 for comparison. In order to obtain the ultraviolet illuminance equal to 100 mW/cm<sup>2</sup>, the surface irradiation by the conventional light source shown in FIG. 11 requires the high lamp output as large as several kW. The

attached substrate 62 is heated to a high temperature by being irradiated on the whole surface, thereby resulting in a misalignment by approximately 7-10  $\mu\text{m}$ .

[0125] The liquid crystal display according to a fifth embodiment of the present invention is described with reference to FIG. 12a through FIG. 16. First, the schematic structure of the liquid crystal display according to this embodiment is described with reference to FIGS. 12a and 12b. FIG. 12a shows a part of the upper surface of an active matrix-type liquid crystal display panel 1 using the TFT as a switching element viewed from the CF substrate side. FIG. 12b shows a partial cross section cut at a line A-A of FIG. 12a. A plurality of pixel areas 14 arranged in a matrix shape are formed on the array substrate 16 side of the liquid crystal display panel 1, and a TFT (not shown in the diagram) is formed in each of the pixel area 14. The picture display area 10 is structured by the plurality of the pixel areas 14. Although a detailed diagram is omitted, the gate electrode of the TFT in each pixel area 14 is connected to a gate wiring and a drain electrode is connected to a data wiring respectively. Further, the source electrode of the TFT is connected to a pixel electrode formed in the pixel area 14. A plurality of data wirings and gate wirings are connected to a terminal portion 2 formed in the external periphery of the array substrate 16, thereby a plurality of data wirings and gate wirings are to be connected to a driving circuit (not shown in the diagram) provided externally.

[0126] The CF substrate 4 is formed slightly smaller than the array substrate 16 by substantially the width of the terminal portion 2 and is

arranged facing the array substrate 16 sealing the liquid crystal 22 at a predetermined cell gap. The array substrate 16 and the CF substrate 4 are attached by a main seal 6 made of photo-curing type resin. The width 6' indicated by the two dotted lines in the diagram shows the width when the  
5 main seal 6 is coated. A frame-shape structure 12 separating the main seal 6 from the liquid crystal 22 is formed in an area between the main seal 6 and the display area 10. The liquid crystal 22 is sealed in an area surrounded by the frame-shape structure 12 between the array substrate 16 and the CF substrate 4.

10 [0127] Color filters (indicated by the letters R(red), G(green), B(blue) in the diagram) as well as a common electrode (not shown in the diagram) are provided on the CF substrate 4. Further, a BM picture-frame 8 and a BM 18 having a shading function are formed on the CF substrate 4. The BM picture-frame 18 is provided to shade undesired light from outside the  
15 display area 10. The BM 18 is used to earn contrast by deciding the plurality of the pixel areas 14 in the display area 10 and to prevent light leakage current from generating by shading the TFT.

[0128] The peripheral end of the frame-shape structure 12 is arranged to be substantially in accordance with the peripheral end of the BM picture-  
20 frame 8 viewed from the vertical direction to the surface of the array substrate 16. Therefore, even if the internal peripheral end portion of the main seal 6 is formed adjacent to the external peripheral end portion of the BM picture-frame 8, the internal peripheral end portion of the main seal 6 does not overlap the external peripheral end portion of the BM  
25 picture-frame 8 as long as the main seal 6 does not flow beyond the

frame-shape structure 12 after attaching. Accordingly, since the shading of the UV light by the BM picture-frame 8 does not occur, a curing defect of the main seal 6 does not occur. It will be noted that depending on the curing characteristics of the main seal 6, since there is a case in which  
5 curing is possible by spreading the reaction activated species even if there is a certain shaded area, the generation of the shaded area as wide as approximately the spreading distance of the reaction activated species in the BM picture-frame 8 is not a problem. For example, when the width of the main seal 6 is equal to 1-2  $\mu\text{m}$  after attaching the substrates,  
10 depending on the BM picture-frame 8, shading the width equal to approximately 200  $\mu\text{m}$  is not a problem.

[0129] Thus, the liquid crystal display according to this embodiment has the main seal 6 attaching the substrates 16 and 4 in the external peripheral portion of the display area 10 of the two opposite substrates 16 and 4  
15 sandwiching the liquid crystal 22 and frame-shape structure 12 and the BM picture-frame 8 formed in the area between the main seal 6 and the display area 10. The frame-shape structure 12 and the BM picture-frame 8 are formed so that the external peripheral end of the frame-shape structure 12 is substantially in accordance with the external peripheral  
20 end of the BM picture-frame 8 viewed from the vertical direction to the surface of the substrate 16. According to this structure, when the coated main seal 6' spreads and becomes the main seal 6 after attaching the substrates 16 and 4, the possibility that a part of the main seal 6 enters the external peripheral portion of the BM picture-frame 8 is eliminated.  
25 Accordingly, a phenomenon of UV light not to reach a part of the main

seal 6 and to generate curing defects is prevented and the main seal which does not easily peel off can be obtained. Further, since the coating position of the main seal can be adjacent to the external periphery end portion of the BM picture-frame 8, enlargement of the picture-frame area can be suppressed, thereby effectively utilizing the surface of the glass substrate.

[0130] Next, the structure of an example of a variation of the liquid crystal display according to this embodiment is described with reference to FIGS. 13a and 13b. FIGS. 13a and 13b show partial cross sections cut at the line A-A of FIG. 12a. FIG. 13a shows a state in which a vertical alignment film 14 is formed in the display area 10 of the array substrate 16 and on the surface opposing to the frame-shape structure 12. Further, FIG. 13b shows a state in which a vertical alignment film 13 is formed on the surface of the end portion of the frame-shape structure 12. Pillar-shape spacers 15 to obtain a predetermined cell gap are formed in both FIGS. 13a and 13b.

[0131] Furthermore, the frame-shape structure 12 has a height which is more than substantially half the height of the spacer 15 in both FIGS. 13a and 13b. As described above, when the frame-shape structure 12 with a similar thickness of the cell gap is only provided in the fringe periphery, liquid crystal flows over the frame-shape structure 12 at instillation. However, if the vertical alignment film 13 is formed on the surface of the frame-shape structure 12 and the vertical alignment film 14 exists on the surface opposing to the frame-shape structure 12, the wettability of the liquid crystal 22 is reduced due to the vertical alignment films 13 and 14, therefore the liquid crystal 22 can not flow over the space between the

frame-shape structure 12 and the array substrate 16 to reach the main seal 6 while the main seal 6 is under curing. It will be noted that although the liquid crystal 22 reaches the main seal 6 if time is taken, if the height of the frame-shape structure 12 is higher than half of the height of the spacer 15 in the display area 10 (for example, approximately 2  $\mu\text{m}$  when the cell gap is 4  $\mu\text{m}$ ), several tens of minutes are required for the liquid crystal 22 to flow over the frame-shape structure 12 and reach the main seal 6. If the main seal 6 is cured during that time period, the liquid crystal 22 is not contaminated.

10 [0132] Further, the main seal 6 is required to be formed in a position where the internal peripheral end portion of the main seal 6 does not flow over the external peripheral end portion of the frame-shape structure 12 after the gap is created. Furthermore, the main seal 6 is desired to be formed in a position where the internal peripheral end portion of the main seal 6 is  
15 adjacent to the external peripheral end portion of the frame-shape structure 12 after the gap is created. If the main seal 6 is coated too closely to the frame-shape structure 12, the internal peripheral end portion of the main seal 6 flows over the external peripheral end portion of the frame-shape structure 12 in the process creating the gap, thereby  
20 resulting in curing defects of the sealing material and irregular cell gaps. on the other hand, if there is space between the main seal 6 and the frame-shape structure 12, the picture-frame area of the panel is enlarged and a possibility of not being able to effectively utilize the surface of the glass substrate is generated and when the liquid crystal panel is expanded or  
25 contracted due to extreme variations in temperature, a possibility that



vacuum air bubbles in the space enter in the display area 10 increases.

[0133] Next, the structure of an example of other variation of the liquid crystal display according to this embodiment is described with reference to FIGS. 14a and 14b. FIG. 14a shows a part of the upper surface of the active matrix-type liquid crystal panel 1 using the TFT as a switching element viewed from the CF substrate side. FIG. 14b shows partial cross section cut at a line A-A of FIG. 14a. The same structuring elements as in the liquid crystal display shown in FIG. 12a through FIG. 13b are referred by the same codes and the descriptions are omitted.

10 [0134] In the liquid crystal display shown in FIGS. 14a and 14b, the frame-shape structure 12 separating the main seal 6 from the liquid crystal 22 is formed in the area inside the main seal 6 and outside the display area 10 and a second frame-shape structure 12' separating the main seal 6 from the external peripheral portion of the main seal 6 is formed in the area to be outside the main seal 6, therefore both sides of the main seal 6 is surrounded by the frame-shape structures 12 and 12'. The frame-shape structure 12' is provided to easily pressurize the main seal 6. By pressurizing from both sides of the main seal 6, the gap for the main seal 6 is easily created.

20 [0135] The frame-shape structures 12 and 12' have the height more than half the height of the spacer 15 in the display area 10, and the vertical alignment films 13 or 14 (the vertical alignment film 13 is shown in FIGS. 14a and 14b) is formed on the surface of or in the area opposing to the frame-shape structure 12. This vertical alignment film 13 or 14 is formed for the similar reason to the example of the variation described with

25

reference to FIGS. 13a and 13b. Further, in order to prevent the peeling of the seal from generating by the reduction of the adhesive strength of the main seal 6, the vertical alignment film 14 is desired to be formed beyond the frame-shape structure 12 not to overlap the main seal 6.

5 [0136] Furthermore, the distance of the space between the frame-shape structures 12 and 12' is more than the width, preferably substantially the same width, of the main seal 6 after the gap is created, and the main seal 6 is arranged in a position where the internal and the external peripheral end portions of the main seal 6 do not flow over the external peripheral  
10 end portion of the frame-shape structure 12 and the internal peripheral end portion of the frame-shape structure 12', after the gap is created, preferably in a position adjacent to the frame-shape structures 12 and 12'.

[0137] Also this example of the variation has a distinctive characteristic in forming a part or all of the frame-shape structures 12 and 12' in the BM  
15 picture-frame 8 and not forming the BM in the space portion between the frame-shape structures 12 and 12'. If the frame-shape structures 12 and 12' are arranged in the BM picture-frame 8, and the space portion between the frame-shape structures 12 and 12', in other words, the area the main seal 6 is coated is opened so that UV irradiation can be performed, the  
20 main seal 6 can be completely cured and at the same time the area required to form the main seal 6 outside the BM picture-frame 8 in the past is no longer required.

[0138] Further, the frame-shape structure 12 is desired to be formed using a resin material which does not substantially transmit the wavelength of  
25 UV. At instillation, UV irradiation is performed from the CF substrate side

which does not have the metal film in the main seal area so that the UV light is not shaded. Usually, although a mask is covered on the display area 10, a part of the UV light is reflected on the metal film formed on the array substrate 16 and enters the display area 10 side. This is a phenomenon called the light incidence or light wraparound by the multiple reflection. Photolysis of the liquid crystal 22 occurs due to this light, thereby resulting in the generation of display defects on the edge of the seal. Therefore, if a resin material which does not substantially transmit the wavelength of UV is used as the frame-shape structure 12, the multiple reflection component is absorbed by the frame-shape structure 12, the liquid crystal 22 at the edge of the seal is not irradiated by UV, thereby preventing the liquid crystal 22 from degrading.

[0139] The structure described above is most effective when an instilling method is used in the fabrication of the liquid crystal display. Prominent effects such as preventing the main seal 6 from curing defects due to shading, further preventing the uncured main seal 6 from contacting the liquid crystal 22, and preventing the liquid crystal 22 from being irradiated by the UV light when photo-curing the main seal 6 can be obtained by the instilling method, thereby greatly improving the reliability of instillation.

[0140] Further, when instillation is used, as shown in FIG. 16, after attaching the substrates 16 and 4 and before a liquid crystal boundary 23 of the liquid crystal 22 reaches the frame-shape structure 12, the gap adjacent to the frame-shape structure 12 is created by pressurizing the frame-shape structure 12 by a pressure P, thereby preventing the liquid crystal 22 from entering onto the frame-shape structure 12 and largely

reducing the time required to create the gap of the main seal 6 as well. Next, the fabrication method of the liquid crystal display according to this embodiment is described by using examples.

[0141]

5 EXAMPLE 1

A colored-resin film (red/made by JSR (Japan Synthetic Rubber)) dispersed by pigment is evenly coated on the CF substrate and the spacer 15 of the display area 10 and the frame-shape structure 12 are patterned by photolithography process. The height of the spacer 15 of the display area 10 is equal to 4.0  $\mu\text{m}$  in height and three kinds of the frame-shape structures 12 are formed into 4.0  $\mu\text{m}$  (Example A), 3.0  $\mu\text{m}$  (Example B) and 2.0  $\mu\text{m}$  (Example C) in height. Further, the spacer 15 is formed in a non-pixel area of the display area 10 and the frame-shape structure 12 is formed in the area inside the main seal 6 and at the same time outside the display area so that the external peripheral end portion of the BM picture-frame 8 is substantially in accordance with the external peripheral end portion of the frame-shape structure 12 viewed from the direction vertical to the surface of the array substrate 16.

[0142] Further, comparative example A is structured by entering the external peripheral end portion of the frame-shape structure 12 to inside of the external peripheral end portion of the BM picture-frame 8 by 0.5 mm. The vertical alignment film (made by JSR) 14 is formed on the CF substrate 4 and the array substrate 16. The vertical alignment film 14 is formed to be substantially in accordance with the external periphery portion of the frame-shape structure 12 viewed from the direction vertical

to the surface of the array substrate 16. Furthermore, comparative example B is structured without forming a vertical alignment film on the surface of the frame-shape structure 12 and the area opposing the frame-shape structure 12.

5 [0143] The main seal (made by Kyoritsu Kagaku) 6 is coated so that the internal periphery of the main seal 6 is adjacent to the external periphery of the frame-shape structure 12 after the gap is created. Since the width of the main seal is equal to 1 mm after the gap is created in this embodiment, a seal line is 0.5 mm apart from the external periphery of the frame-shape  
10 structure 12. In comparative example C, the seal line is 2.0 mm apart from the frame-shape structure 12.

[0144] The required volume amount of the liquid crystal 22 obtained from the internal periphery of the frame-shape structure 12 and the height of a pattern is dropped on the display area 10 and the substrates 16 and 4 are  
15 attached in a vacuum. After attachment, atmospheric pressure is restored, the liquid crystal is spread and the gap is created. After the gap is created, the spread of the liquid crystal 22 substantially into the display area 10 is confirmed. Then, the main seal is cured by performing UV irradiation from upper part of the CF substrate 4. The attached substrates are scribed and  
20 broken and the liquid crystal panel is completed. After the liquid crystal panel is heated (isotropic treatment) at 100[deg.] C. for one hour, a lighting inspection and a seal peeling test are performed.

[0145] Results of the tests are shown in Table 4. In Comparative Example A, an overlap (shaded area) with the BM picture-frame 8 is created by the  
25 circular arc portion of the corner portion of the seal and display

irregularities and peeling of the seal due to curing defects occur. In Comparative Example B, a part of the liquid crystal 22 flows over the frame-shape structure 12 and contacts with the uncured main seal 6 after attachment and display irregularities occur from the peripheral portion of the frame-shape structure 12. In Comparative Example C, although display irregularities do not occur, vacuum air bubbles are generated at corner portions after the heating. On the other hand, in Example A, B and C, none of the irregularities occur.

10

15

20

25

**TABLE 4**

5

	<b>Remarks</b>	<b>Lighting Test</b>	<b>Peeling Test</b>
<b>Comparative Example A</b>	Corner portions shaded Others same as Example A	Display irregularities at corner portions and peripheral portion	Peeling at less than 1.5 kgf/mm
<b>Comparative Example B</b>	No vertical alignment film Others same as Example A	Display irregularities at peripheral portion	No peeling at 1.5 kgf/mm
<b>Comparative Example C</b>	Space in the seal Others same as Example A	Vacuum air bubbles at corner positions	No peeling at 1.5 kgf/mm
<b>Example A</b>	Improved comparative Examples A, B & C Height of structure 4 $\mu\text{m}$	Excellent	No peeling at 1.5 kgf/mm
<b>Example B</b>	Improved comparative Examples A, B & C Height of structure 3 $\mu\text{m}$	Excellent	No peeling at 1.5 kgf/mm
<b>Example C</b>	Improved comparative Examples A, B & C Height of structure 2 $\mu\text{m}$	Excellent	No peeling at 1.5 kgf/mm

**Table 4 Results of the panel tests of Comparative Examples A, B and C and Examples A, B and C**

[0147]

**EXAMPLE 2**

A colored-resin film (red/made by JSR) dispersing pigment is evenly coated on the CF substrate 4 and the spacer 15 of the display area 10, and  
5 the frame-shape structures 12 and 12' are patterned by photolithography process. The height of the spacer 15 of the display area 10 is equal to 4.0  $\mu\text{m}$ , three kinds of the frame-shape structures 12 and 12' are formed into 4  $\mu\text{m}$  (Example D), 3.0  $\mu\text{m}$  (Example E), and 2.0  $\mu\text{m}$  (Example F) in heights, the size of the pattern for the spacer 15 is equal to 10  $\mu\text{m}$ -, the width of the  
10 frame-shape structures 12 and 12' is equal to 0.75 mm, and the frame-shape structures 12 and 12' are similar figures to the main seal 6. The position of the pattern for the spacer 15 is in the non-pixel area of the display area 10, the frame-shape structure 12 is in the area inside the main seal 6' and at the same time outside the display area 10 and the frame-shape structure 12' is apart 1 mm from the frame-shape structure 12. In  
15 this example, the width of the BM picture-frame 8 is equal to 2.5 mm so that the whole frame-shape structures 12 and 12' can be contained in the above area. Accordingly, the main seal area which is outside the BM picture-frame in the past can be eliminated, thereby realizing narrowing of  
20 the picture-frame by 1 mm on each side or 2 mm in panel measurement.

[0148] Then, the vertical alignment film (made by JSR) 14 is formed on the CF substrate 4 and the array substrate 16 so as to be level with the external periphery of the frame-shape structure 12. Further, as Comparative Example D, a structure forming the vertical alignment film 14  
25 in the external periphery and the opposite area of the frame-shape



structure 12 is structured. The main seal (made by Kyoritsu Kagaku) 6 is coated so that the internal and external peripheries of the main seal 6 are adjacent to the internal and external peripheries of the frame-shape structures 12 and 12'. The following is the liquid crystal panel completed by the similar method to the Example 1 and provided to the panel test.

[0149] Results of the tests are shown in Table 5. In Comparative Example D, since the vertical alignment film 14 is formed under the main seal 6, adhesive strength is weaker than the glass surface and peeling of the seal occurs. On the other hand, peeling of the seal did not occur in Examples D, E and F.

[0150]

TABLE 5

	Remarks	Lighting Test	Peeling Test
Comparative Example D	Alignment film under the seal Others same as Example D	Excellent	Peeling at less than 1.5 kgf/mm
Example D	Improved comparative Examples D Height of structure 4 $\mu\text{m}$	Excellent	No peeling at 1.5 kgf/mm
Example E	Improved comparative Examples D Height of structure 3 $\mu\text{m}$	Excellent	No peeling at 1.5 kgf/mm
Example F	Improved comparative Examples D Height of structure 2 $\mu\text{m}$	Excellent	No peeling at 1.5 kgf/mm

Table 5 Results of the panel tests of Comparative Example D and Example D, E and F

[0151]

**EXAMPLE 3**

5 A colored-resin film (red/made by JSR) dispersing pigment is evenly coated on the CF substrate 4 and the spacer 15 of the display area 10 and the frame-shape structure 12 are patterned by photolithography process. Further, as a Comparative Example E, the similar pattern is structured by transparent resin (made by JSR). The height of the pattern is equal to 4.0  
10  $\mu\text{m}$  for both and the following is the liquid crystal panel completed by the similar method to Example 1 and provided to the panel test.

[0152] The UV spectrums for Comparative Example E and Example G are shown in FIG. 15. In FIG. 15, the lateral axis indicates wavelength and the vertical axis indicates transmissivity. Although light in the long-  
15 wavelength side of more than 300  $\mu\text{m}$  among the UV wavelengths is transmitted in Comparative Example E (a curved line (p) in FIG. 15), it is known that the colored resin in Example G (a curved line (a) in FIG. 15) hardly transmits light. The results of the panel tests are shown in Table 6. In comparative Example E, since the light component of multiple reflection  
20 generated by UV irradiation when curing the seal enters into the display area 10 via the transparent resin, photolysis of the liquid crystal 22 occurs, thereby resulting in the generation of display irregularities all around the periphery. On the other hand, display irregularities do not occur in Example G.

25 [0153]

**TABLE 6**

	Remarks	Lighting Test	Peeling Test
Comparative Example E	Above structure with transparent resin Others same as Example G	Display irregularities all around the edge	No peeling at 1.5 kgf/mm
Example G	Improved Comparative Example E	Excellent	No peeling at 1.5 kgf/mm

**Table 6 Results of the panel tests of Comparative Example E and Example G**

5

[0154]

**EXAMPLE 4**

A colored-resin film (red/made by JSR) dispersing pigment is evenly coated on the CF substrate 4 and the spacer 15 of the display area 10 and the frame-shape structure 12 are patterned by photolithography process. The height of the pattern is equal to 4.0  $\mu\text{m}$  for both and the following is the attachment performed in a vacuum by the similar method to Example 1. After being released in an atmosphere, the gap of the frame-shape structure 12 is created by pressurizing the frame-shape structure 12 portion at 1.0 kgf/cm<sup>2</sup> before the liquid crystal 22 and the main seal 6 reach the frame-shape structure 12. Further, Comparative Example F releasing the air without performing partial pressurization is structured. After the gap is created, the time substantially spreading the liquid crystal 22 in the display area 10 is measured and the following is the liquid crystal

display panel is completed by the similar method to Example 1. After heating at 100[deg.] C. for one hour (isotropic treatment), the cell gap adjacent to the seal is measured.

[0155] Results are shown in Table 7. Although the picture area equivalent to 15 inches in size is used as the liquid crystal display panel, approximately 10 minutes is required in Example F to substantially spread the liquid crystal 22 in the display area 10. Further, although the cell gap inside the picture area is equal to 4.0-4.1  $\mu\text{m}$ , the cell gap adjacent to the seal is greater by +0.1-0.2  $\mu\text{m}$ . If the amount of liquid crystal to be dropped is further reduced, this difference can be reduced. However, several tens of minutes are required to substantially spread the liquid crystal in the picture area, therefore reducing the amount of liquid crystal to be dropped is not practical. On the other hand, the time spreading the liquid crystal is shortened to approximately 3 minutes in Example H and the cell gap adjacent to the seal is approximately the same as the cell gap inside the picture area.

**TABLE 7**

	Remarks	Liquid Crystal	Cell Gap
Comparative Example F	Gap created solely by releasing in an atmosphere	10 min.	4.2 4.3 $\mu\text{m}$
Example H	After releasing in an atmosphere, the frame-shape structure partially	3 min.	4.0 4.1 $\mu\text{m}$

	pressurized		
--	-------------	--	--

Table 7 Comparison of Comparative Example F and Example H

[0157] Thus, the liquid crystal panel can be fabricated with favorable yield according to this embodiment even if a vacuum injection method or an instilling method is used and the cost of liquid crystal display panel can be further reduced, thereby expanding the scale of the market as the display substituting CRT.

[0158] Next, a liquid crystal display and a fabrication method thereof according to a sixth embodiment of the present invention are described with FIG. 17 through FIG. 24. The black matrix (BM) is formed at a peripheral edge portion of the liquid crystal display panel and if there is no margin at a position the seal is coated, a part of the seal overlaps with the end of the BM picture-frame after attachment. If ultraviolet light is irradiated from the direction vertical to the substrate, the ultraviolet light is shaded in the portion overlapping with the BM picture-frame and the seal can not be cured. The adhesive strength of the seal is reduced in this portion and peeling of the seal occurs. Further, since the seal remains uncured, when the liquid crystal panel expands or contracts due to variations of temperature, the seal component is eluted and the voltage retention ratio at the edge of the seal is reduced. If the seal coating position is sufficiently apart from the end of the BM picture-frame, such defects do not occur. However, coating the seal sufficiently apart from the end of the BM picture-frame induces the picture-frame area to be enlarged and is not appropriate.

[0159] In this embodiment, the above problems are solved by using the following methods:

(1) By using ultraviolet-light-curing resin for the main seal, the frame-shape structure hardly transmitting ultraviolet light is formed into a height equivalent to the thickness of the panel in the area inside the main seal and at the same time outside the display area. The seal-curing is performed by irradiating ultraviolet light at least to the main seal from the direction horizontal or diagonal to the substrate surface. If the height of the frame-shape structure is equivalent to the thickness of the panel and the frame-shape structure has the absorbability for ultraviolet light, a part (particularly short-wavelength segment) or all of the ultraviolet light transmitting the seal is not irradiated on the liquid crystal layer, thereby resulting in the liquid crystal not to be photo-degraded even when ultraviolet light to the main seal from the direction horizontal or diagonal to the substrate surface is irradiating. Thus, ultraviolet light can be irradiated to the portion previously shaded viewed from the direction vertical to the substrate, thereby completely curing the seal.

[0160] (2) Ultraviolet light toward the main seal is irradiated from the direction horizontal or diagonal to the substrate surface. At the same time, ultraviolet light is irradiated from the direction vertical to the substrate surface as well. Ultraviolet light can be most easily irradiated from these directions. Ultraviolet light is absorbed by the resin and becomes low in intensity of illumination if being apart from the irradiated surface and depending on a material of the seal, a sufficiently cured substance may not be obtained when ultraviolet light is irradiated only from the above

directions. This is because a seal component low in reactivity is more difficult to be cured at low intensity of illumination. Accordingly, such a seal is irradiated from the said directions as well as from the direction vertical to the substrate surface. Since the intensity of illumination is hardly reduced in the direction vertical to the substrate surface where the thickness of the seal film is thin, the seal component low in reactivity is cured and the sufficiently cured substance can be obtained.

[0161] (3) By irradiating ultraviolet light to the main seal from the direction diagonal to the substrate, the ultraviolet light is reflected to the shaded portion viewed from the direction of irradiation by a reflection film formed in the area under the main seal. When a seal coating position is apart from the side of the substrate, the main seal is also on other position besides the side of the substrate as in gang printing, or a dummy seal is between the side of the substrate and the main seal, the seal can not be completely cured by only irradiating ultraviolet light from the said direction. Accordingly, if the ultraviolet light is irradiated from outside the main seal to the said direction and is reflected by the said reflection film to the shaded portion from the direction of irradiation, the seal can be completely cured.

[0162] Since the reflection film in plane structure generates the area difficult for ultraviolet light to wraparound depending on the angle of irradiation, ultraviolet light is required to be reflected to the whole shaded portion by taking a broad angle of irradiation. Accordingly, if a concavo-convex structure is provided under the said reflection film so that the reflected light has directivity by controlling the angle of inclination, the

ultraviolet light at a predetermined angle of irradiation can be efficiently reflected to the shaded portion, thereby eliminating the requirement of the broad angle of irradiation as described above.

5 [0163] (4) The reflection film and a metal film for the TFT substrate are formed together. When a gate bus line or data bus line is formed on the TFT substrate, generally a metal such as Al (aluminum) and the like is used for forming a film. If the metal film is also formed together in the area coating the seal at this time, a new process is not required to be added. In this case, ultraviolet light is irradiated from the CF substrate side and is  
10 reflected on the metal film on the TFT substrate.

[0164] (5) Even if a reflection substance having the concavo-convex structure in the area to be a the substrate stage and at the same time under the main seal is provided when the irradiation of ultraviolet light is performed and the angle of inclination of the reflection substance is  
15 controlled, the ultraviolet light can be effectively reflected to the shaded portion. In this case, although the concavo-convex structure according to the seal pattern is required to be structured, an advantage of not requiring to construct a concavo-convex structure or a reflection film for each substrate is generated. Accordingly, the ultraviolet light at the  
20 predetermined irradiation angle can be efficiently reflected to the shaded portion without adding a new process.

[0165] (6) Particles dispersing ultraviolet light in the main seal as a measure to irradiate ultraviolet light to the main seal in the direction horizontal or diagonal to the substrate surface are scattered and the  
25 ultraviolet light is scattered to the predetermined directions by the subject



particles. Particle in an order of micron or submicron such as a filler is selected as the particle dispersing ultraviolet light to give dispersability by coating the surface with a metal film or an oxidized metal film. When ultraviolet light is irradiated to these particles, all or a part of the  
5 ultraviolet light is dispersed and spread to the predetermined directions.

[0166] (7) The frame-shape structure and a color plate for the CF substrate are formed together and the color plate is laminated in the area forming the frame-shape structure. Although colored resins of R, G and B are used for the CF color plate, the colored resin hardly transmits ultraviolet light.  
10 Formation of the color plate to the CF substrate is performed by sequentially patterning the colored resin to each color-plate area by photolithography process. If each color plate is also patterned and laminated in the area forming the structure at this time, the structure can be formed without adding a new process.

15 [0167] (8) The main seal is formed at a position where the internal periphery of the main seal is adjacent to the external periphery of the frame-shape structure after attaching the substrates so that the internal periphery of the main seal and the external periphery of the frame-shape structure are adhered. Thus, the fixed surfaces of the main seal is made  
20 on the three surfaces, interface the upper and lower substrates and the structure, thereby increasing the adhesive strength.

[0168] Further, even if the liquid crystal expands or contracts due to variations of temperature, the frame-shape structure is fixed on the opposite substrate side via the main seal and the panel thickness of the  
25 structure portion does not vary. Thus, the liquid crystal and the seal

completely do not make contact after attachment of the substrates as well and spreading contaminated substances from the seal into the liquid crystal can be prevented.

[0169] (9) The liquid crystal display is fabricated by instilling using the  
5 above methods. In instillation, since the seal is cured after liquid crystal is injected, improvement effects according to the above methods are significant. In other words, since the shaded portion of the seal remains uncured, the seal component is eluted into liquid crystal, thereby reducing the voltage retention ratio at the edge of the seal. Further, if ultraviolet  
10 light is irradiated to the direction horizontal or diagonal to the substrate surface in order to cure the shaded portion, the liquid crystal layer is also irradiated by the ultraviolet light, thereby resulting in photo-degradation of the liquid crystal. Thus, if ultraviolet light is irradiated after forming the frame-shape structure hardly transmitting the ultraviolet light adjacent to  
15 the uncured area, the above disadvantages generated by instillation can be improved.

[0170] Since the above problems are solved according to this embodiment, the yield of the liquid crystal display fabricated by UV press and instillation is improved. Particularly in instillation, since the seal is cured  
20 after liquid crystal is injected, an employment of this embodiment contributes tremendously to practical applications of instillation. The liquid crystal display and a fabrication method thereof according to this embodiment are described below using examples.

[0171]

25 EXAMPLE 1

As shown in FIG. 17, the frame-shape structure 12 equivalent to the panel in thickness is formed using a black-color resin on the BM 8 in the area inside the main seal 6 and at the same time outside the display area on the CF substrate 4. After forming the frame-shape structure 12, the alignment film (not shown in the diagram) is coated on the CF/TFT substrates 4 and 16, the main seal 6 made of an epoxy-acrylate-type ultraviolet-light-curing resin is coated at the CF substrate 4 side and the substrates are attached by instillation. In other words, the liquid crystal 22 with the required volume amount obtained from the internal peripheral side of the frame-shape structure 12 and the thickness of the panel is dropped in the display area and the substrates attachment is performed in a vacuum. Then, the atmospheric pressure is restored and liquid crystal instillation and creation of the gap are performed. After confirming the substantial spreading of the liquid crystal 22 in the display area subsequent to creating the gap, the main seal 6 is cured by irradiating ultraviolet light from the side of the substrate to the direction horizontal to the substrate surface. After performing the isotropic-treatment which heats these attached substrates at 120[deg.] C. for one hour, the substrates are scribed and broken and the liquid crystal panel is obtained. The obtained liquid crystal panel is provided to the lighting test and the seal peeling test. Further, as Comparison Example 1, the frame-shape structure formed using the transparent resin is formed and the liquid crystal display panel which cures the main seal is structured by irradiating ultraviolet light from the direction vertical to the substrate surface, and the similar tests are performed. Results of the lighting test and the seal peeling test of

Example 1 and Comparative Example 1 as well as other examples and comparative examples are shown in Table 8.

[0172]

#### EXAMPLE 2

5 As shown in FIG. 18a, an epoxy-type ultraviolet-light-curing resin is selected for the main seal 6 and creation of the gap are performed by attachment using the similar technique to Example 1. As shown in FIG. 18a, since the thickness of the main seal 6 is as thin as 4-5  $\mu\text{m}$  conforming with the width of the main seal 6 which is approximately 1 mm in the  
10 direction of the substrate surface as shown in FIG. 18b, while the luminous intensity in the direction vertical to the substrate surface hardly varies, the luminous intensity in the horizontal direction gradually reduces. Considering the above, the main seal 6 is cured by irradiating the ultraviolet light from the side of the substrate to the direction horizontal to  
15 the substrate surface as well as from the direction vertical to the substrate surface.

[0173] The similar treatments and tests to Example 1 are performed for the following. Further, as Comparative Example 2, the liquid crystal display panel is structured where the main seal 6 is cured by irradiating ultraviolet  
20 light only from the direction horizontal to the substrate surface, and the similar tests are performed. Results of the lighting test and seal peeling test of the Example 2 and Comparative Example 2 are shown in Table 8 as well as other examples and comparative examples.

[0174]

25 EXAMPLE 3

As shown in FIG. 19, a reflection film 152 is formed by depositing Al in the main seal 6 area on the TFT substrate 16 and at the same time in the area to be under the main seal 6. After forming the reflection film 152, creation of the gap is performed by attaching the substrates using the similar technique to Example 1. Then, ultraviolet light is irradiated from outside the main seal 6 to the direction diagonal to the substrate surface, the ultraviolet light is reflected to the shaded portion by the reflection film 152 and the main seal 6 is cured. At this time, a broad angle of irradiation is taken so that the ultraviolet light is reflected to the whole shaded portion. The similar treatments and tests to Example 1 are performed for the rest. Results of the lighting test and seal peeling test of Example 3 are shown in Table 8 as well as other examples and comparative examples.

[0175]

#### EXAMPLE 4

As shown in FIGS. 20a and 20b, a concavo-convex structure 154 is formed using a resistive resin in the main seal 6 area on the TFT substrate 16 and at the same time in the area to be under the main seal 6 so that the angle of inclination of the structure is equal to 15 degrees. Next, a reflection film 34 is formed in the subject area together with depositing Al on the TFT substrate. After forming the reflection film 34, creation of the gap is performed by attaching the substrates using the similar technique to Example 1. Then, ultraviolet light is irradiated from outside the main seal 6 to the direction 60 degrees diagonal to the substrate surface and is reflected by the reflection film 34 to the direction vertical to the substrate surface, thereby curing the main seal 6. The similar treatments and tests

as Example 1 are performed for the rest. Results of the lighting test and seal peeling test of Example 4 are shown in Table 8 as well as other examples and comparative examples.

[0176]

5 **EXAMPLE 5**

As shown in FIGS. 21a and 21b, a concavo-convex structure 38 is formed in the area to be lower part of the main seal 6 on the substrate state 36 made of stainless steel so that the angle of inclination of the structure is equal to 15 degrees. The concavo-convex structure 38 is formed by  
10 creating inverted triangle-shape grooves in the area which is the lower part of the main seal 6 on the substrate state 36 so that the convex portion is level with the upper surface of the substrate stage 36. Lamination of the substrates and creation of the gap are performed by the similar technique to Example 1. Then, the attached substrates are arranged on the substrate  
15 stage 36, ultraviolet light is irradiated from outside the main seal 6 to the direction 60 degrees diagonal to the substrate surface and is reflected to the vertical direction to the substrate surface by the concavo-convex structure 38 formed on the substrate stage 36, thereby curing the main seal 6. The similar treatments and tests to Example 1 are performed for  
20 the rest. Results of the lighting test and seal peeling test of Example 5 are shown in Table 8 as well as other examples and comparative examples.

[0177]

**EXAMPLE 6**

Dispersion-type particles 40 depositing an Au layer 44 on the surface of a  
25 resin filler 42 having particles of 1  $\mu\text{m}$  in diameter in average as shown in

FIG. 22b is added by the amount of 0.1 wt % in the main seal 6 as shown in FIG. 22a. Lamination of the substrates and creation of the gap using this main seal 6 are performed by the similar technique to Example 1. Then ultraviolet light is irradiated from the direction vertical to the substrate surface and is dispersed by the dispersion-type particles 40 to the direction horizontal or diagonal to the substrate surface, thereby curing the main seal 6. The similar treatments and tests to Example 1 are performed for the rest. Results of the lighting test and seal peeling test of Example 6 are shown in Table 8 as well as other examples and comparative examples.

[0178]

#### EXAMPLE 7

As shown in FIG. 23, a frame-shape structure 156 equivalent to the panel in thickness is formed in the area inside the main seal 6 and at the same time outside the display area together with the formation of the color plates on the CF substrate 4. The frame-shape structure 156 is formed by laminating the CF color plates. After forming the frame-shape structure 156, attachment of the substrates and creation of the gap are performed by the similar technique to Example 1. Then, ultraviolet light is irradiated from the side of the substrate to the direction horizontal to the substrate surface and the main seal 6 is cured. The similar treatments and tests to Example 1 are performed for the rest. Results of the lighting test and seal peeling test of Example 7 as well as other examples and comparative examples are shown in Table 8.

[0179]

**EXAMPLE 8**

As shown in FIG. 24, the main seal 6 is formed at a position where the internal periphery of the main seal 6 is adjacent to the external periphery of the frame-shape structure 12 after attaching the substrates. Lamination of the substrates and creation of the gap are performed by the similar technique to Example 1. Then, ultraviolet light is irradiated from the side of the substrate to the direction horizontal to the substrate surface as well as from the direction vertical to the substrate surface, thereby curing the main seal 6. The similar treatments and tests to Example 1 are performed for the rest. Results of the lighting test and seal peeling test of Example 8 are shown in Table 8 as well as other examples and comparative examples.

**TABLE 8**

	Lighting test at the Edge of Seal (3 V, 1 Hz Storage Drive)		Seal Peeling Test	
	Before Heat Treatment	After Heat Treatment	Strength (kgf/mm)	Finding
Example 1	○	○	2.0	△
Comparative Example 1	○	X	1.5	X
Example 1	○	○	2.5	○
Example 2	○	○	1.5	○
Comparative Example 2	○	○	2.5	X
Example 2	○	○	2.5	○
Example 3	○	○	2.5	○
Example 4	○	○	2.5	○
Example 5	○	○	2.0	○
Example 6	○	○	3.0	○
Example 7	○	○		○
Example 8	○	○		△
	○	○		⊙
	○	○		



**Table 8 Results of lighting test and seal peeling test of Example 1 through 7, Comparative**

**[0181]**

In Table 8 showing the results of lighting test and seal peeling test of  
5 Example 1 through 7 and Comparative Example 1 and 2, judgments are indicated by X for having a problem in strength, A<sup>△</sup> for being a less than adequate heat-cured seal although having no problem, ○ for being equivalent and for ⊗ being more than equivalent.

[0182] While there is no problem in either the lighting test or the seal  
10 peeling test in Example 1 through 7, problems occur in the lighting test after the heat treatment and in strength of the seal peeling in Comparative Example 1 and a problem occurs in strength of the seal peeling in Comparative Example 2. Since ultraviolet light is irradiated from the direction vertical to the substrate surface in Comparison Example 1, the  
15 seal remains uncured in the area shaded by the BM picture-frame. Although elution of the uncured component is suppressed by the frame-shape structure equivalent to the cell gap before the heat treatment, the liquid crystal expands and flows over the frame-shape structure after the heat treatment due to variations of temperature, and therefore the uncured  
20 component is eluted in the liquid crystal and the voltage retention ratio is reduced. Seal peeling also begins from the shaded portion and the seal has been peeled at 1.5 kgf/mm by stress concentrating in the uncured portion.

[0183] An epoxy-type ultraviolet-light-curing resin is used in Comparison  
25 Example 2. The subject resin requires greater luminous intensity than the

epoxy acrylate type ultraviolet curing resin in Example 1. Accordingly sufficient luminous intensity can not be obtained only if irradiated from the side face of the substrate to the direction horizontal to the substrate surface and the subject resin has peeled at 1.5 kgf/mm. However, if  
5 ultraviolet light is also simultaneously irradiated from the direction vertical to the substrate surface as in Example 2, sufficient peeling strength can be exhibited.

[0184] The peeling strength is greatest in Example 8 among the examples. This is owing to the fact that three surfaces which are the interfaces of the  
10 upper and lower substrates and the interface of the frame-shape structure become the fixed surfaces F.

[0185] According to this embodiment, the liquid crystal display panel with improved yield owing to UV press and instillation can be fabricated.

[0186] It will be noted that when the bus line is formed by a Ti/Al  
15 lamination layer as an example of a variation of this embodiment, if Ti is removed only at portions reflecting UV, concavo-convex is naturally formed on the Al surface by heat in the fabrication process of TFT (difference in level of Ti is insignificant and the reflection ratio is also insignificant). Accordingly, ultraviolet light may be reflected utilizing this  
20 and be incident upon the main seal 6.

[0186] A liquid crystal display and a fabrication method thereof according to a seventh embodiment are described with reference to FIG. 25a through FIG. 31c. Although a heat-curing resin is usually used for the main seal of the liquid crystal display panel, the curing rate of the heat-curing resin is  
25 slow and ultraviolet-light-curing resin is used to temporarily fasten in

order to avoid misalignment. However, since the efficiency of operation of this temporary fastening process is poor, a method is proposed in Japanese Laid Open Patent Application No. 5-333351 to coat conductive-type ultraviolet-light-curing resin mixing conductive particles in circular shape at four corners of the external periphery side of the main seal and temporarily fasten with a transfer seal.

[0187] Further, since UV press and instillation require to cur the main seal in a short period of time, the ultraviolet-light-curing resin or an ultraviolet-light plus heat-curing resin is used for the main seal. Since these resins cure quickly, these resins have few misalignment and do not require temporary fastening. FIG. 25a shows a state in which stress is applied to a corner portion of the liquid crystal display panel using the main seal 6 containing, for example, ultraviolet-light-curing resin. The ultraviolet-light-curing resin or ultraviolet-light plus heat-curing resin is weak in peeling strength in comparison with the heat-curing resin, and as shown in FIG. 25b, interface peelings with the substrate are generated at the corner portions of the main seal 6 where stress is concentrated and peeling by cohesion [alpha] is generated in the main seal 6 itself.

[0188] Furthermore, as shown in FIG. 26, the picture frame 8 of the black matrix (BM) is formed in the fringe periphery portion of the liquid crystal display panel, and if there is no margin at a position coating the main seal 6, the shaded area [gamma] shaded by a part of the corner portion of the main seal 6 overlapping with the end of the BM picture frame 8 is generated and curing defects occur. The peeling strength of the main seal 6 is reduced in this shaded area [gamma] and at the same time the seal

remains uncured and elutes into the liquid crystal, thereby resulting in a reduction of the voltage retention ratio of the liquid crystal.

[0189] In this embodiment, the above problems are solved by using the following methods:

5 (1) In the liquid crystal display panel using the ultraviolet-light-curing resin or the ultraviolet-light plus heat-curing resin for the main seal, an interconnecting structure being adjacent to the seal corner and having the peeling strength greater than that of the main seal in the area outside the main seal and at the same time inside the end of the CF substrate. A  
10 circular arc (R) is provided at the seal corner in order to make the width of the lines even at the periphery portion of the seal. However, since the shape of the substrate is rectangular, an air gap is created between the seal and the end of the substrate at the seal corner. If the interconnecting structure having the peeling strength greater than that of the main seal is  
15 partially arranged, the peeling strength of the seal corner is more than equal to the peeling strength of the heat-curing resin and seal peeling does not occur. The object of forming the resin in the above example in the publication is to prevent misalignment and the object of this embodiment is to prevent the seal peeling.

20 [0190] Therefore, this embodiment differs from the example in the publication in the points that the conductive-type particles in the interconnecting structure is not mixed, the interconnecting structure having the peeling strength greater than that of the main seal is used, and curing of the interconnecting structure is performed simultaneously or  
25 following thereafter. If the conductive-type particles are mixed in the

interconnecting structure, the transmissivity is reduced. Accordingly, since the peeling strength is reduced in the ultraviolet-light-curing-type interconnecting structure, seal peeling can not be prevented. Further, in the example in the publication, if temporary fastening can be performed, 5 the peeling strength greater than that of the main seal is not particularly required and curing of the resin is performed prior to curing of the main seal.

[0191] (2) In the above (1), the above interconnecting structure is arranged into a circular shape in the area which is outside the main seal and at the 10 same time inside the end of the CF substrate. If the shape is circular, the interconnecting structure can easily be formed by dotting coating. Further, if there is sufficient space, it is possible to make the diameters larger by increasing the amount of coating to the extent the interconnecting structure does not flow beyond the end of the CF substrate or to increase 15 the peeling strength by coating a plurality of points.

[0192] (3) In the above (1), the above interconnecting structure (resin) is arranged in the direction opposing the panel and at the same time in a linear shape in the area which is outside the main seal and at the same time inside the end of the CF substrate adjacent to the seal corner. If 20 coated in the diagonal direction to the panel, the distance to the end of the CF substrate can be earned and the interconnecting structure can not easily flow beyond the end of the CF substrate and if the shape is linear, an adhesive area is larger than the circular shape and the peeling strength can be further increased.

25 [0193] (4) In the above (1), the curing contraction rate of the above

interconnecting structure is substantially similar to that of the main seal. Although the curing contraction rate of the interconnecting structure differs depending on a selected material, the curing contraction rate for epoxy-type is equal to approximately 3% and the curing contraction rate for acrylic-type is equal to approximately 6% among polymerized resins. If a material different from the main seal in curing contraction rate is selected for the above interconnecting structure, distortion is generated in the above area after curing and become a cause of cracking or peeling. Therefore, the material substantially equal to the main seal in curing contraction rate is selected for the above interconnecting structure.

[0194] (5) In the above (1), the curing of the above interconnecting structure is simultaneously performed with or following the main seal. If the above interconnecting structure is the ultraviolet-light-curing type and is cured prior to curing of the main seal as in the example in the publication, the adjacent seal corner is partially cured by multiple reflection on the substrate interface. If the main seal is cured in stages from the corner to the whole, the residual stress is generated inside the seal and the peeling strength is reduced. If the above interconnecting structure is the heat-curing type, heating of the above area results in heating of the whole substrate as a consequence, the uncured main seal suffers sagging by heat and the shape of the seal is distorted. Therefore, when the above interconnecting structure is the ultraviolet-light-curing type and is cured simultaneously with curing of the main seal and when the above interconnecting structure is the heat-curing type and is cured following curing of the main seal, the above defects do not occur.

[0195] (6) In the liquid crystal display panel using the ultraviolet-light-curing resin for the main seal, the interconnecting structure being adjacent to the seal corner and having the peeling strength greater than that of the main seal in the step area formed by the CF substrate and the TFT substrate is formed. Since the subject area is an area where peripheral terminals are not usually formed, the interconnecting structure does not interfere with a driving circuit even if the interconnecting structure is partially arranged in the subject area. The same curing as the above (1) can be expected by partially coating and curing the interconnecting structure in the subject area after the liquid crystal display panel is formed.

[0196] (7) In the above (1) and (6), the above interconnecting structure is formed only in the area above the peripheral terminal region. Terminals connecting a driving element to a driving circuit are formed in the external peripheral portion of the TFT substrate. Since the peripheral terminals are exposed outside the end of the CF substrate by a margin (several mm) to connect the driving circuit, seal peeling is easily generated from a non-terminal region because when stress is applied to the peripheral terminals, the TFT substrate is considerably distorted and the stress is concentrated on the seal/substrate interface, and because the distance to the main seal and the stress point is lengthened, the stress is amplified by "the principle of the lever". On the contrary, since the upper and lower substrates are level in the non-terminal region, seal peeling hardly occurs. Accordingly, if the interconnecting structure is arranged only in the area around the peripheral terminals, seal peeling can be effectively suppressed.

[0197] (8) In the above (1) and (6), a polymerized resin for the interconnecting structure. As the polymerized resin is also coated to the main seal, the polymerized resin is superior in coatability and stability of the shape and is also high in adhesive strength to the substrate. Since the  
5 interconnecting structure is arranged outside the main seal, the interconnecting structure is not affected by contamination of liquid crystal, and any of the ultraviolet-light-curing-type, the heat-curing-type or the ultraviolet-light plus heat-curing-type polymerized resin can be used as long as the polymerized resin has the peeling strength greater than that of  
10 the main seal.

[0198] (9) In the liquid crystal display panel using the ultraviolet-light-curing resin or the ultraviolet-light plus heat-curing resin for the main seal, adjacent to the seal corner, an L-shape structure corresponding to the shape of the corner of the BM picture frame with the height equivalent to  
15 the width of the panel is arranged in the area which is inside the main seal and at the same time outside the display area. Since the BM picture frame is formed in the fringe periphery portion of the liquid crystal display panel, if there is no margin at a position the seal is coated, a part of the seal corner is shaded by overlapping with the end of the BM picture frame,  
20 thereby resulting in the curing defects after substrate attachment. Accordingly, if adjacent to the seal corner, the L-shape structure corresponding to the shape of the corner of the BM picture frame with a height equivalent to the width of the panel is formed in the area which is inside the main seal and at the same time outside the display area, the  
25 seal is blocked by the structure and can not flow inside beyond the



structure even if the seal is coated after attachment so that the part of the seal corner overlaps with the end of the BM picture frame. The position to form the structure may be selected either outside or level with the end of the BM picture frame, or inside the end of the BM picture frame by the wraparound amount of light depending on the kind of ultraviolet light irradiation (either parallel light or dispersed light) and the sensitivity of the ultraviolet light of the main seal.

[0199] (10) In the above (9), the structure is formed with a material which does not transmit a part or all of the ultraviolet light, and the seal curing is performed by irradiating ultraviolet light only in the seal corner from the direction diagonal to the substrate surface. If ultraviolet light is irradiated from the direction diagonal to the substrate, curing can be accomplished to a considerable depth ( 0.5 mm) utilizing multiple reflection on the substrate interface even if the seal corner is shaded by the end of the BM picture frame. However, the ultraviolet light transmitting the main seal is also irradiated to the liquid crystal, thereby resulting in a photo-degradation and a reduction of the retention in the vicinity. Accordingly, if the structure is formed with the material which does not transmit a part or all of the ultraviolet light, the above defects do not occur and the shaded portion of the seal corner can be effectively cured utilizing multiple reflection.

[0200] (11) The liquid crystal display panel is fabricated by instillation using the above (1) through (10). Although the ultraviolet-light-curing resin or the ultraviolet-light plus heat-curing resin is weak in peeling strength in comparison with the heat-curing resin, the peeling strength

can be improved by increasing the amount of ultraviolet light irradiation or by increasing the amount of the heat-curing component to be added. However, in instillation, since curing of the seal is performed after injecting the liquid crystal, the liquid crystal is photo-degraded or the retention adjacent to the seal is reduced due to elution of the heat-curing component if the above treatment is employed. Further, when a part of the seal corner is shaded by overlapping with the end of the BM picture frame after attachment, the peeling strength is reduced and at the same time the uncured seal elutes into the liquid crystal, thereby a resulting in reduction of the voltage retention ratio at the edge of the seal.

[0201] Accordingly, if the liquid crystal display panel is fabricated by instillation using the above methods of (1) through (10), the above defects do not occur and effects of improvement are significant. The yield of the liquid crystal display panel fabricated by the UV press and instillation is improved by this embodiment. Particularly, in instillation, since the curing of the seal is performed after injecting the liquid crystal, employment of this embodiment contributes tremendously to practical application of instillation. The liquid crystal display and the fabrication method thereof according to this embodiment are described below using examples.

20

#### [0202] EXAMPLE 1 AND 2

Example 1 is described with reference to FIGS. 27a through 27c. FIG. 27a shows a whole liquid crystal display panel and FIG. 27b shows a corner portion of the liquid crystal display panel. FIG. 27c shows a point to pressurize when determining the peeling strength.

25

[0203] An ultraviolet-light-curing resin A (epoxy resin/curing contraction rate 3%/made by Three Bond) is used as the main seal 6 and is coated into a frame-shape on the CF substrate 4 on which a CF 11 is formed so that the width of the line is equal to 1 mm after attaching the substrates.

5    Sequentially, interconnecting structures 160a, 160b and 160c made of a heat-curing-type resin (epoxy resins/curing contraction rate 3%/made by Mitsui Kagaku) are coated into a circular shape in the area which is adjacent to the corner portion of the main seal 6, outside the main seal 6 and at the same time inside the end of the CF substrate 4 so that the

10   diameter is equal to 1 mm[phi] after attaching the substrates.

[0204] FIG. 28 shows Example 2. In Example 2, the interconnecting structure 160a which is the same material as in Example 1 is coated in the direction opposing the panel and at the same time into a linear shape so that the width of the line is equal to 1 mm and the length is equal to 2 mm.

15   Further, in Example 1 and 2, since the peripheral terminals are on each vertical and horizontal side of the TFT substrate 16, the interconnecting structures 160a through 160c are coated in the area (3 points) around the peripheral terminals.

[0205] Next, the liquid crystal display panel is fabricated by instillation.

20   The required amount of liquid crystal obtained from the measurement of the internal periphery of the seal and the thickness of the panel is dropped in the frame-shape pattern of the main seal 6 and attachment is performed in a vacuum. Subsequently, atmospheric pressure is restored and injection of liquid crystal and creation of the gap are performed. After the

25   gap is created, the main seal 6 is cured by irradiating ultraviolet light from

upper part of the substrate surface. The attached substrates are heated at 120[deg.] C. for one hour and the curing of the interconnecting structure 160 and isotropic (realignment) treatment of the liquid crystal are performed. After that, the liquid crystal display panel is obtained by cutting the substrates. Further, the liquid crystal display panel (Conventional Example 1) without the interconnecting structure is also fabricated by the similar technique.

[0206] Measurement of the peeling strength is performed separately for the resin unit and the liquid crystal display panel. For the measurement of the resin unit, the main seal 6 or the interconnecting structure 160 is coated on the center of the glass substrate equal 50 mm\*20 mm in size into a circular shape so that the diameter is 1 mm[phi] after attaching the substrates, and is attached into a cross shape by the glass substrate with the same size and is cured after the gap is created. An area 1 mm inside the end of the glass substrate is pressurized toward lower direction by a force gauge and the pressure completely peeling the main seal 6 or the interconnecting structure 160 is read. For the measurement of the liquid crystal display panel, the CF substrate 4 is arranged on top, the TFT substrate is arranged at bottom, an area 1 mm inside (refer to FIG. 27c) the end corner of the TFT substrate 16 is pressurized toward lower direction by the force gauge, and the pressure completely peeling the interconnecting structure 160 or the main seal 6 is read.

[0207] As a result, the peeling strength of the ultraviolet-light-curing resin A used for the main seal 6 is equal to 1.6 kgf/mm and that of the heat-curing resin used for the interconnecting structure 160 is equal to 2.5

kgf/mm. Further, the peeling strength of the liquid crystal display panel in Example 1 is equal to 3.0 kgf/mm, that in Example 2 is equal to 3.5 kgf/mm, and that in Conventional Example 1 is equal to 1.8 kgf/mm. The peeling strength of the liquid crystal display panel is required to be a value more than the maximum load on the peripheral terminals in the unitizing process and the value is usually required to be more than 2.0 kgf/mm considering the load when replacing a polarizing plate and the attracting force of the driving circuit. In Conventional Example 1, since this standard value is not fulfilled, the yield of fabrication is reduced due to the seal peeling. Since the peeling strengths in Example 1 and 2 exceed that of the conventional example and fulfill the standard value, therefore seal peeling does not occur.

[0208]

### EXAMPLE 3

Example 3 is described with reference to FIGS. 29a and 29b. The ultraviolet-light-curing resin A (epoxy resin/curing contraction rate 3%/made by Three Bond) is used for the main seal 6 and coated into a frame shape on the CF substrate 4 so that the width of the line is equal to 1 mm after attaching the substrates. Sequentially, the liquid crystal display panel is fabricated by instillation. After fabricating the liquid crystal display panel, the diameter is equals to 2 mm[phi] and contacts with both of the substrates so that an interconnecting structure 162 made of an ultraviolet-light-curing resin B (epoxy resin/curing contraction rate 3%/made by Three Bond) is coated into a circular shape in a step area 164 (refer to FIG. 29b) formed by the CF substrate 4 and the TFT substrate 16

adjacent to the corner portion of the main seal 6. It will be noted that since the peripheral terminals 2 are also on each vertical and horizontal side on the TFT substrate 16 in this example as in Example 1, the interconnecting structure 162 is coated only in the area (three points) of two sides of the peripheral terminals and only the interconnecting structure 162 is spot-irradiated by ultraviolet light and cured. Measurement of the peeling strength is similar to Example 1 and 2.

[0209] As a result of the measurement, the peeling strength of the ultraviolet-light-curing resin A used for the main seal 6 is equal to 1.6 kgf/mm and that of the ultraviolet-light-curing resin B used for the interconnecting structure 162 is equal to 2.0 kgf/mm. The difference between the ultraviolet-light-curing resins A and B is that while the amount of addition of multi-functional component or low-molecular component in A is reduced considering the contaminability to the liquid crystal, the amounts of those in B are increased to enhance the peeling strength since B does not make contact with the liquid crystal. Although the above components are more likely to contaminate the liquid crystal since those components are high in polarity and solubility, those components have a function to increase the peeling strength of resin. Further, the peeling strength of the liquid crystal display panel in Example 3 is equal to 2.3 kgf/mm and that of the conventional example is equal to 1.8 kgf/mm. Since the peeling strength of Example 3 exceeds that of Conventional Example 1 and fulfills the standard value, seal peeling does not occur.

[0210]

#### EXAMPLE 4

This example is described with reference to FIGS. 30a and 30b. An ultraviolet-light-curing resin C (epoxy acrylate resin/curing contraction rate 6%/made by Three Bond) is used for the main seal 6 and coated into a frame shape on the CF substrate 4 so that the width of the line is equal to 1 mm after attaching the substrates. Sequentially, an interconnecting structure 164 made of the ultraviolet-light-curing resin C is coated into a circular shape in the area outside the main seal 6 and at the same time inside the end of the CF substrate 4 adjacent to the corner portion of the main seal 6 so that the diameter is equal to 1 mm[phi] after attaching the substrates.

[0211] Further, as Comparative Example 1, an interconnecting structure 164 made of the ultraviolet-light-curing resin A (epoxy resin/curing contraction rate 3%/made by Three Bond) is coated in the similar manner. Then, the liquid crystal display panel is fabricated by liquefactional injection. As a result, the peeling strength of the ultraviolet-light-curing resin C used for the main seal 6 is equal to 1.6 kgf/mm and that of the ultraviolet-light-curing resin A used for the interconnecting structure 164 is equal to 1.6 kgf/mm. Since the ultraviolet-light-curing resin C and A are different resins, the curing contraction rates are different. Further, the peeling strength of the liquid crystal display panel of Example 4 is equal to 2.2 kgf/mm and that of the comparative example is equal to 1.8 kgf/mm, and in Comparative Example 1 as shown in FIG. 30b, cracks 166 are generated prior to the peeling test in the main seal 6 side where the curing contraction rate is high. Since the peeling strength of Example 4 exceeds

those of Conventional Example 1 and Comparative Example 1 and fulfills the standard value, seal peeling does not occur.

[0212]

#### EXAMPLE 5

5 Example 5 is described with reference to FIGS. 31a through 31c. As shown in FIG. 31a, an L-shape structure 166 corresponding to the shape of the corner portion of the BM picture frame 8 is formed using a resist (made by Shipley) in the area inside the main seal 6 and at the same time outside the display area on the CF substrate 4 adjacent to the corner portion of  
10 the main seal 6. The structure 166 being equal to 5 mm in length, 0.7 mm in width and 4  $\mu\text{m}$  in height (equivalent to the thickness of the panel) is formed at a position 0.3 mm inside from the external periphery of the BM picture frame 8.

[0213] An ultraviolet-light plus heat-curing resin (partially acrylic epoxy resin/curing contraction rate 4%/made by Kyoritsu Kagaku) is used for the  
15 main seal 6 and coated into a frame shape on the CF substrate 4 so that the width of the line is equal to 1 mm after attaching the substrates. The main seal 6 is coated so that the internal periphery of the seal precisely contacts with the external periphery of the BM picture frame 8. Then, the  
20 liquid crystal display panel is fabricated by instillation.

[0214] Further, the liquid crystal display panel (Conventional Example 2 and 3) without the structure 166 is also fabricated in the similar technique. After irradiating ultraviolet light from upper part of the substrate surface in Example 5 and Conventional Example 3, as shown in FIG. 31b, only the  
25 corner portion of the main seal 6 is spot-irradiated by ultraviolet light from



the direction 45 degrees diagonal to the substrate surface and the main seal 6 is cured. In addition to measurement of the peeling strength, in order to examine the shielding effect of ultraviolet light by the structure 21, transmission characteristics of the ultraviolet light and when the resist is  
5 formed on the glass are measured.

[0215] As a result, the peeling strength of the ultraviolet-light plus heat-curing resin used for the main seal 6 is equal to 2.0 kgf/mm. Further, the peeling strength of the liquid crystal display panel of Example 5 is equal to 2.3 kgf/mm, that of Conventional Example 2 is equal to 1.8 kgf/mm, and  
10 that of Conventional Example 3 is equal to 2.3 kgf/mm. When the lighting tests are performed for those liquid crystal display panels at an half tone (60 Hz, 3V short wave applied), irregularities in brightness occur in the seal corner in Conventional Example 2 and 3 due to a reduction of retention ratio. The reduction of the retention ratio is attributed to the  
15 curing defect of the shaded portion 168 in Conventional Example 2 and photo-degradation of the liquid crystal in Conventional Example 3. However, the peeling strength in Example 5 fulfills the standard value and irregularities in brightness due to a reduction of the retention ratio does not occur.

20 [0216] This is owing to irradiation of ultraviolet light from the direction diagonal to the substrate and wraparound of the ultraviolet light to the shaded portion 168 and also the resist absorbing the harmful ultraviolet-light wavelength to liquid crystal. FIG. 31c is a graph showing the transmission characteristics of ultraviolet light of glass and glass plus  
25 resist. The transmission characteristics of ultraviolet light in FIG. 31c

indicates that harmful wavelength band (short wavelength side from 334 nm) to liquid crystal is reduced by the glass plus resist (curved line a) to less than  $[1/4]$  of that of the glass (curved line [beta]). Since the liquid crystal display panel having an excellent yield can be fabricated by UV  
5 press and instillation according to this embodiment, cost reduction of the liquid crystal display panel can be further achieved.

[0217] The liquid crystal display and the fabrication method thereof according to an eighth embodiment of the present invention are described with reference to FIG. 32a through FIG. 35. First, a schematic structure of  
10 the liquid crystal display according to this embodiment is described with reference to FIGS. 32a and 32b. FIG. 32a typically shows a part of the upper surface of the active matrix-type liquid crystal display panel 1 using the TFT for the switching element viewed from the opposite substrate side. FIG. 32b shows a partial cross section cut at a line A-A of FIG. 32a. A  
15 plurality of gate bus lines G1, G2, . . . Gn (hereinafter, abbreviated as G) extending in horizontal direction on the substrate, in the diagram are formed in parallel in vertical direction on the array substrate 16. Further, an insulation film which is not shown in the diagram is formed on the plurality of the gate bus lines G and a plurality of data bus lines D1, D2, . . .  
20 Du (hereinafter, abbreviated as D) substantially orthogonal to the gate bus line G are formed on the insulation film. Each area decided in a matrix shape by the gate bus line G and the data bus line D which are orthogonal to each other becomes a pixel area and a TFT 13 and a display electrode 14 are formed in each pixel area. A gate electrode of the TFT 13 is  
25 connected to a predetermined gate bus line G, a drain electrode is

connected to a predetermined data bus line D and a source electrode is connected to the display electrode 14 in the pixel area.

[0218] FIG. 32b shows a cross section along the gate bus line G1, the gate bus line G1 is formed on the surface of the array substrate 16 facing the opposite substrate 4, and an alignment film 172 is formed on the top surface. A common electrode 8 is formed on the surface of the opposite substrate 4 facing the array substrate 16 and an alignment film 170 is formed on the top surface.

[0219] The opposite substrate 4 formed substantially smaller by approximately the width of the terminal portion 2 than the array substrate 16 is arranged facing the array substrate 16 with a predetermined cell gap. The array substrate 16 and the opposite substrate 4 are attached by the sealing material 6 made of the photo-curing resin. The liquid crystal 22 is sealed in the area surrounded by the sealing material 6 between the array substrate 16 and the opposite substrate 4.

[0220] A plurality of the gate bus lines G and the data bus lines D extend to the terminal portion 2 formed in the external periphery of the array substrate 16 and are to be connected to a driving circuit (not shown in the diagram) arranged externally. An external output electrode 174 is formed in the end portion of each of the gate bus line G and an external output electrode 176 is formed in the end portion of each of the data bus line D as well.

[0221] The TFT 13 connected to the gate electrode of the subject gate bus line becomes an "On" state by a scanning signal output to a predetermined gate bus line G, and the voltage based on a gradation

signal outputted to the data bus line D is applied to the pixel electrode 14. On the other hand, a predetermined voltage is also applied to the common electrode 8 on the opposite substrate side so that the liquid crystal 22 between the pixel electrode 14 and the common electrode 8 is driven by the voltage applied to the pixel electrode 14 and the common electrode 8.

[0222] Now, the liquid crystal display according to this embodiment has a distinctive characteristic in forming a plurality of light-reflection layers R in the contacting area of the array substrate 16 and the opposite substrate 4 of the sealing material 6. This light-reflection layer R is described with reference to FIGS. 33a through 33c. FIG. 33a shows an enlarged block 30 indicated by the dotted line in FIG. 32a. FIG. 33b shows a cross section of the panel of the area shown in FIG. 33a. Further, FIG. 33c shows a cross section of a conventional panel corresponding to FIG. 33b for comparison.

[0223] As shown in FIGS. 33a and 33b, the light-reflection layer R is alternately formed in the sealing material coating area of the array substrate 16 and the opposite substrate 4. A light-reflection layer RL is formed, for example, simultaneously in the sealing material coating area on the array substrate 16 by using a metal for forming the gate bus line or a metal for forming the data bus line in the area coating the sealing material on the array substrate 16 when forming those bus lines. The light-reflection layer RL is formed in a line-and-space pattern parallel to the gate bus line G or the data bus line D and having a long side slightly longer than the width of the area forming the sealing material 6.

[0224] On the other hand, a light-reflection layer RU is formed in the contacting area of sealing material in the opposite substrate 4 side by

patterning a metal layer and has a line-and-space pattern shifted by half a pitch from the light-reflection layer RL on the array substrate 16 as if filling a space portion (space) of the light-reflection layer RL when attaching the opposite substrate 4 with the array substrate 16.

5 [0225] Therefore, when irradiating UV light for curing the sealing material 6 as shown in FIG. 33b, if an UV light UV1 is entered substantially vertical to the surface of the panel from the opposite substrate 4 side, the light UV1 is reflected at the light-reflection layer RL on the array substrate 16 and goes and back in the sealing material 6 in the subject area. Thus, the  
10 energy of the light UV1 can be effectively utilized to cur the sealing material 6 of the subject area without waste and degradation of the liquid crystal 22 can be prevented by quickly curing the sealing material 6. Similarly, if an UV light UV2 is entered substantially vertical to the surface of the panel from the array substrate 16 side, the light UV2 is reflected at  
15 the light-reflection layer RU on the opposite substrate 4 and goes and back in the sealing material 6 of the subject area. Thus, the energy of the light UV2 can be effectively utilized to cur the sealing material 6 of the subject area without waste and degradation of the liquid crystal 22 can be prevented by quickly curing the sealing material 6.

20 [0226] While the above UV lights UV1 and UV2 are irradiated from both surfaces of the panel, an UV light UV3 may be irradiated diagonally to the surface of the panel. Although light transmitting through the panel exists in this case, the amount of UV light reflecting once or in plurality at the light-reflection layers RL and RU and transmitting through the sealing  
25 material 6 can be increased, thereby effectively utilizing the energy of the

light UV3 to cure the sealing material 6 of the subject area without waste and preventing degradation of the liquid crystal 22 by quickly curing the sealing material 6. It will be noted that, since the major side of the line-and-space pattern of the light reflection layers RL and RU are substantially  
5 orthogonal to the traveling direction (same as a moving direction 211 shown in FIG. 108a) of the UV light source in this embodiment, irradiating the light UV3 diagonally to the surface of the panel within the surface created by the normal line of the surface of the panel and the traveling direction of the UV light source is desirable with respect to effectively  
10 utilizing irradiation energy. Furthermore, if the previously-described surface can be slightly inclined assuming the traveling direction of the UV light source as an axis, the light UV3 can be irradiated from the center of the liquid crystal display portion toward outside the display portion. Thus, the UV light leakage toward the liquid crystal display portion side adjacent  
15 to the sealing material 6 can be reduced and degradation of the liquid crystal 22 can surely be.

[0227] FIG. 33c shows UV irradiation according to the conventional liquid crystal display for comparison. Even if UV irradiation UV4 and UV5 is performed from the direction substantially vertical to the panel in the  
20 structure of the conventional liquid crystal display, all the light such as the light UV4, except for reflecting at the external output electrodes 174 and 176 of the gate bus line G and the data bus line D such as the light UV5, only once transmits the sealing material 6. Therefore, the energy of the UV light can not be sufficiently utilized for curing the sealing material  
25 in the conventional liquid crystal display.

[0228] Various variations are possible in this embodiment. This embodiment is described assuming that the light-reflection layer R has the line-and-space pattern. However, for example, the widths of the gate bus lines G and the data bus lines D in the contacting area of the sealing material 6 on the array substrate 16 may be widened to make the light-reflection layer RL, and the light-reflection layer RU may be formed in the contacting area of the sealing material 6 on the opposite substrate 4 to fill the gap between the light-reflecting layers RL.

[0229] Further, in the case of a reflection-type liquid crystal display as shown in FIG. 34, the light-reflection layer R can be arranged between the plurality of the bus lines passing through the contacting area of the sealing material 6 on the array substrate (reflection substrate). Thus, in the reflection-type liquid crystal display, by utilizing the reflecting light of the UV light, the energy of the light also can be effectively utilized for curing the sealing material without waste and degradation of the liquid crystal 22 can be prevented by quickly curing the sealing material 6.

[0230] Furthermore, as shown in FIG. 35, it is effective to irradiate UV light gathered by a lens 32 toward the sealing material 6 so that the UV light does not enter the liquid crystal 22. Since the energy of the UV light can be concentrated and provided to the sealing material 6 according to this, time to cure the sealing material can be shortened, thereby preventing the liquid crystal 22 from degradation.

[0231] It will be noted that although the sealing material 6 is cured by making a direct contact on the light-reflection layer R in the above embodiment, in order to improve the adhesive ability of the sealing

material 6, for example, a silicon oxide film (SiO<sub>2</sub> film) and the like may certainly be formed on the light-reflection layer R to make the sealing material 6 direct contact with the silicon oxide film.

[0232]

5 EXAMPLE 1

Next, an example of the fabrication method of the liquid crystal display based on this embodiment is briefly described with reference to FIGS. 32a through 33c. Further, since the fabrication method of the liquid crystal display according to this example has a distinctive characteristic in  
10 reducing degradation of the liquid crystal due to UV irradiation for curing the sealing material so that instillation in the cell process can be performed with certainty, description is omitted for the similar process to the past among the processes such as the array process forming a wiring pattern, switching elements and the like on the other glass substrate, the  
15 cell process dealing with alignment layer treatment, arranging spacers and the like, or the module process installing a driver IC, setting up the back light and the like.

[0233] First, for example, the array substrate 16 made of the glass substrate equal to 50 mm\*60 mm\*0.7 mm is used. When forming the gate  
20 bus lines and the data bus lines on the array substrate 16, the light-reflection layer RL is formed on the contacting area of sealing material 6 by patterning the metal layer for forming the bus line formed on the whole substrate surface. As the metal for forming the bus line, Cr, Al, Ti and the like can be used. The light-reflection layer RL is equal to 100 μm in width  
25 and is the line-and-space pattern having the width between the adjacent



light-reflection layers is also equal to 100  $\mu\text{m}$ . On the other hand, on the opposite substrate 4 side, for example, when forming the black matrix (BM: shading film), the light-reflection layer RU is formed in the contacting area of sealing material 6 by patterning the metal layer for forming the BM  
5 formed on the whole substrate surface. As a metal for forming the BM, Cr can be used. The light-reflection layer RU is patterned when the opposite substrate 4 is attached with the array substrate 16 so that the light-reflection layer RU shifts by half a pitch from the line-and-space pattern of the light-reflection layer RL. Therefore, the light-reflection layer RU also is  
10 equal to 100  $\mu\text{m}$  in width and the width between the adjacent light-reflection layers is also equal to 100  $\mu\text{m}$ .

[0234] After forming an alignment film (AL 3506) on the substrate surface inside the contacting area of the sealing material 16 of the array substrate and the opposing substrate 4 and performing a rubbing treatment so that  
15 a TN (torsion nematic) liquid crystal layer can be formed, an UV sealing material (made by Kyoritsu Kagaku) 6 is coated on the opposite substrate 4. After the liquid crystal (FT-5082) 22 is dropped on the array substrate 16 by an instilling equipment which is not shown in the diagram, both of the substrates 4 and 16 are attached. By irradiating the UV light of 60  
20  $\text{mW}/\text{cm}^2$  in irradiation energy from both sides of the array substrate 16 and the opposite substrate 4 to the coating area of the sealing material 6, the sealing material 6 is cured and the panel is completed.

[0235] On the other hand, as a comparative example, the UV sealing material 6 is coated on the opposite substrate where the light-reflection  
25 layer RU is not formed, both substrates are attached after instillation, and

the sealing material 6 is cured by performing UV irradiation only from the opposite substrate side. In this case, substantially twice as much as that of the UV irradiation according to the above example is required in order to generate a sufficient curing effect.

5 [0236] When ion densities at predetermined areas of the above two panels are measured, the ion density of this example is much lower than that of the comparative example, thereby confirming that damages to liquid crystal can be substantially reduced by the structure according to this embodiment.

10 [0237] A liquid crystal display and a fabrication method thereof according to a ninth embodiment of the present invention is described with reference to FIG. 36 through FIG. 39b. FIG. 36 shows a state in which UV irradiation of the sealing material is performed at the end portion of the liquid crystal panel. As to a point where the sealing material 6 of a photo-  
15 curing type material is provided to seal liquid crystal between the array substrate 16 and the opposite substrate 4, this embodiment is similar to the conventional liquid crystal display. However, this embodiment has a distinctive characteristic that an UV light UV6 for curing the sealing material 6 is a polarized light and, further, that the liquid crystal 22 is a  
20 material which is not degraded in characteristics even if the UV6 having polarized light is irradiated thereon.

[0238] FIG. 37 shows the characteristics of two kinds of liquid crystal material (A) and (B). The vertical axis indicates extinction rate and the lateral axis indicates wavelength. The  $A_n$  (optical anisotropy: difference in  
25 refractive indexes between extraordinary ray and ordinary ray) of the

liquid crystal material (A) is smaller than that of the liquid crystal material (B). As shown in FIG. 37, both liquid crystal materials (A) and (B) show high extinction rates in the short wavelength side and that it is confirmed that the more the  $A_n$  is great, the more the end of extinction is relatively at a high frequency side. This end of extinction is in the ultraviolet light area equal to approximately 300 nm to 360 nm in wavelength. Therefore, the larger the refraction index of the liquid crystal material is, the more ultraviolet light is absorbed and are more easily changed. In other words, if the UV light is irradiated when the refraction index of a liquid crystal material is reduced, tolerance against the degradation of characteristics due to UV light can be improved.

[0239] For example, as shown in FIGS. 38a through 38c, if UV is irradiated so that a polarizing axis 46 of the polarized UV to be irradiated is in accordance with the direction of a minor axis of a liquid crystal molecules 182, the degradation of the liquid crystal 22 can be suppressed. FIG. 38a shows a part of the area of the liquid crystal display panel viewed from the opposite substrate side. The alignment film formed on the array substrate side, as shown by an arrow 180 of a dotted line in the diagram, is performed the rubbing treatment from upper left to lower right and the alignment film formed on the opposite substrate 4 side, as shown by an arrow 178 of a solid line in the diagram, is performed the rubbing treatment from upper right to lower left in the direction substantially orthogonal to the arrow 180. As a result of this rubbing treatment, the liquid crystal molecules 182 of the liquid crystal 22, as shown in FIG. 38b, are arranged adjacent to the surfaces of both substrate 4 and 16 so that a

major axis is twisted 90[deg.] from the rubbing direction. With respect to such a torsion alignment as shown in FIG. 38c, if UV light having the polarizing axis 46 in the direction orthogonal to the half way of the direction of the major axis of the liquid crystal molecules 182 adjacent to both substrate surfaces shown in FIG. 38b is irradiated, irradiation in a state that the refraction index of liquid crystal is reduced can be realized.

[0240] An example applied to an arrangement of other liquid crystal molecules is described with reference to FIGS. 39a and 39b. FIG. 39a shows a part of the liquid crystal display panel viewed from the opposite substrate side. The alignment film formed on the array substrate 16 side, as shown by the arrow 180 of a dotted line in the diagram, is performed the rubbing treatment from up to down in the diagram, and the alignment film formed on the opposite substrate 4 side, as shown by the arrow 178 of a solid line in the diagram, is performed the rubbing treatment from down to up. As a result of this rubbing treatment, the major axis of the liquid crystal molecules 182 is an arrangement contained in a plane vertical to the substrate. In such an alignment, as shown in FIG. 39b, if UV light having the polarizing axis 48 in the direction orthogonal to the direction of the major axis of the liquid crystal molecules 182, irradiation in a state that the refraction index of liquid crystal is reduced can be realized.

[0241]

#### EXAMPLE 2

A panel by instillation is fabricated by using the similar glass substrate to the one in Example 1. The rubbing direction of the alignment film is, as

shown in FIG. 39a, an anti-parallel direction and a liquid crystal cell is homogeneous. A liquid crystal panel irradiated the polarized UV having the polarizing axis in the direction of the major axis of the liquid crystal and the liquid crystal panel irradiated the polarized UV having the polarizing axis in the direction of the minor axis of the liquid crystal are fabricated. As a result of comparison at predetermined areas, it is confirmed that the voltage retention ratio is higher and the ion density is lower in the liquid crystal panel irradiated polarized UV having the polarizing axis in the direction of the minor axis of the liquid crystal.

10 [0242] Thus, according to this embodiment, degradation of the liquid crystal 22 can be suppressed in comparison with the case of irradiation of the non-polarized UV light.

[0331] Next, a liquid crystal display and a fabrication method thereof according to a tenth embodiment of the present invention are described with reference to FIG. 40 through FIG. 42b. FIG. 40 shows a state in which the liquid crystal is vertically aligned due to a vertical alignment film by instilling the liquid crystal 22 of, for example, a negative dielectric anisotropy. In this case, since the major axis of the liquid crystal molecules 182 is substantially parallel to the irradiation direction of an UV light UV7 for irradiating the sealing material 6, dependency of polarizing direction against the UV light to be irradiated can be reduced. Thus, the light UV7 can be non-polarized.

[0243] Further, for example, when fabricating a liquid crystal display panel using the liquid crystal 22 of positive dielectric anisotropy, as shown in FIG. 41a, an alignment film 50 for a horizontal alignment is formed in the

main portion of the display area and adjacent to the sealing material 6  
aside from the alignment film 50, a vertical alignment film 52 for vertically  
aligning the liquid crystal is formed. Thus, when irradiating UV for curing  
the sealing material 6, even if leaked light is incident on the liquid crystal  
5 22 adjacent to the sealing material 6, since the major axis of the liquid  
crystal molecules 182 is parallel to the irradiation direction of UV light,  
dependency of polarizing direction is small, therefore degradation of  
liquid crystal can be suppressed even with non-polarized UV light.

[0244] FIG. 41b shows a structure of an example of a variation in which the  
10 alignment film 50 for horizontal alignment is formed as far as adjacent to  
the sealing material 6, and the alignment film 52 for vertical alignment is  
separately formed on the alignment 50 adjacent to the sealing material 6.  
Further, FIG. 41c shows a structure of an example of another variation in  
which the alignment film 52 for vertical alignment is formed as far as  
15 adjacent to the sealing material 6 and the alignment film 50 for horizontal  
alignment is separately formed on the alignment film 52.

[0245] Furthermore, when the liquid crystal 22 has a positive dielectric  
anisotropy, by adopting a structure shown in FIGS. 42a and 42b,  
degradation of liquid crystal can be suppressed even if non-polarized UV  
20 light is irradiated. FIG. 42a shows, when irradiating UV for curing the  
sealing material, that the liquid crystal molecules 182 adjacent to the  
sealing material 6 are vertically aligned by applying voltage between a  
display electrode 14 on the array substrate 16 adjacent to the sealing  
material 6 and a common electrode of an opposite electrode 4 by a voltage  
25 supply source 54. Thus, even if leaked light is incident on the liquid

crystal 22 adjacent to the sealing material 6 when irradiating UV to cure the sealing material 6, since the major axis of the liquid crystal molecules 182 is parallel to the irradiation direction of UV irradiation light, dependency of polarizing direction is small, therefore degradation of liquid crystal can be suppressed even if UV light is non-polarized.

[0246] Also, as shown in FIG. 42b, another electrode 58 electrically isolated from the pixel electrode 14 may be formed in advance on the array substrate 16 adjacent to the sealing material 6, and another electrode 60 electrically isolated from the common electrode 8 may be formed on the opposite substrate 4 adjacent to the sealing material 6. The electrodes 58 and 60 are connected to a driving power source 56.

[0247] When irradiating UV to cure the sealing material 6, voltage is applied between the electrodes 58 and 60 by the driving power source 56 and the liquid crystal molecules 182 adjacent to the sealing material 6 are vertically aligned. Even if leaked light from UV irradiation is incident on the liquid crystal 22 adjacent to the sealing material 6, since the major axis of the liquid crystal molecules 182 are parallel to the irradiation direction of UV irradiation light, dependency of polarizing direction is small, therefore degradation of liquid crystal can be suppressed even if UV light is non-polarized. If the structures shown in FIGS. 41a through 41c, and FIG. 42b are used in a normally white-type liquid crystal display, the area between the alignment films 52 or the area between the electrodes 58 and 60 can function as the picture-frame portion of display area.

[0248]

25 EXAMPLE 3

The panel is fabricated by using the similar glass panel and instillation to Example 1. The alignment film is rubbed as if forming the TN liquid crystal cell. When both substrates are attached and UV light is irradiated to the sealing material 6, the liquid crystal 22 between the electrodes 58 and 60 is vertically aligned by applying rectangular wave equal to 5V (30 Hz) to the electrodes 58 and 60 shown in FIG. 42b and the sealing material 6 is cured. As a result, excellent results are shown in both voltage retention ratio and ion density in comparison with when voltage is not applied.

[0249] Next, a liquid crystal display and a fabrication method thereof according to an eleventh embodiment of the present invention are described with reference to FIG. 43 through FIG. 55R. It will be noted that the structuring elements having the same operation functions as in the first through tenth embodiments are referred by the same codes and the descriptions are omitted. In this embodiment, an object is to realize a narrow picture frame and a big effect can be achieved by combining a reflective type LCD or technology to form CF on the array side. Further, this technology can be applied to an instilling method in a fabrication process of a polymer dispersion-type liquid crystal display (PDLC). In recent years, the PDLC providing a picture display high in brightness without using a polarization plate as in the past is proposed by using polymer dispersion-type liquid crystal in which nematic liquid crystal is dispersed and maintained in a polymer having the similar refraction rate to a liquid crystal molecules and performing switching by applying voltage between the two substrates sandwiching this polymer dispersion-type liquid crystal. Fabrication methods of this PDLC include, for example,



a method of making an uniform solution of liquid crystal and polymerized material, filling up the liquid crystal panel and then phase-separating by photo-polymerization and forming a phase-separated structure.

[0250] Usually, since the amount or wavelength of exposure required for polymerizing liquid crystal and curing a sealing material are different, if 5 UV light required for irradiating the sealing material of a photo-curing-type resin is irradiated to liquid crystal, the liquid crystal is inadequately exposed. In this embodiment, a structure and a method to prevent this are described by using examples. When the instilling method is used in a fabrication process of the PDLC panel, by introducing the technique 10 described below, reduction of picture-frame width of a panel can be realized and at the same time a fabrication line to fabricate a polymer dispersion-type liquid crystal display by a simple process can be realized.

[0251] Although previously explained in the above embodiment, in order 15 to realize a reduction in picture-frame width of a panel in the instilling method, forming a sealing material in the BM picture-frame portion on the color filter (CF) side is essential. In this embodiment, light is irradiated from the array substrate side so that the sealing material at lower part of the BM picture-frame portion can be sufficiently cured. A wraparound 20 phenomenon of the light is generated by a plurality of wirings formed on the array substrate side and the light is highly effectively transmitted in the sealing material. Descriptions based on examples follow.

[0252]

#### EXAMPLE 4

25 Example 4 is described with reference to FIG. 43a through FIG. 46. UV light

is not necessarily required to be irradiated in the whole area of the sealing material to photo-curing the UV curing-type sealing material 6 coated on the opposite substrate 4. Because, the light incident upon the sealing material 6 wraparounds other areas than the irradiated area by dispersing and internally reflecting. The distance in which the wraparounding of the light can be expected is equal to approximately 200  $\mu\text{m}$ . Therefore, if a wiring 78 is within 400  $\mu\text{m}$  in width (L), the sealing material 6 can be sufficiently cured by the effects of the wraparounding of the light from both edge of the wiring 78.

[0253] Further, in order to realize a narrow picture-frame panel, the sealing material 6 is required to be coated so that a part or all of the contacting area with the substrate of the sealing material 6 overlaps inside the BM picture-frame portion. Usually, the BM picture-frame portion 108 is formed by depositing a low-reflection chrome (Cr) film or a black-color resin on the opposite substrate 4 side where the CF is to be formed. Since the transmissivity of light at the BM picture-frame portion 108 is extremely small, in order to irradiate UV light to the sealing material 6 overlapping with the bottom of the BM picture-frame portion 108, UV irradiation is performed from the array substrate 16 side via the wiring 78 just under the sealing material 6.

[0254] FIG. 43a is an example showing a schematic structure of a part of the cross section at the end portion of the liquid crystal panel. FIG. 43b is a partial plan view of the end portion of the panel viewed toward the array substrate surface. In the contacting area of sealing material 6 on the array substrate 16 which is a transparent glass substrate, the wiring 78 of the

TFT (thin film transistor) or formation metal of the gate/drain bus line is used. In the example shown in FIGS. 43a and 43b, the plurality of the wirings 78 extending along the coating direction of the sealing material 6 are formed in parallel. The wiring 78 is equal to approximately 400  $\mu\text{m}$  in width (L) as described above. The width between the wirings is also equal to approximately 400  $\mu\text{m}$ . The sealing material 6 contacts with the array substrate 16 on the plurality of the wirings 78. The other end of the sealing material 6 contacts with the opposite substrate 4 where the BM picture-frame portion 108 is formed. Approximately 80% of the contacting area at the other end of the sealing material 6 overlaps with the BM picture-frame portion 108. The liquid crystal 22 is sealed between both substrates. If a UV light UV8 is irradiated from the array substrate 16 side in such a structure, the light UV8 wraparounds inside the sealing material 6 by the wiring 78, is further reflected at the BM picture-frame portion 108 and is dispersed inside the sealing material 6 after a part of the UV light is still more reflected on the back of the wiring 78, thereby sufficiently curing the whole sealing material 6.

[0255] FIG. 44 shows an example of a variation of the wiring 78 shown in FIG. 43b. While the wiring 78 shown in FIG. 43b has a stripe pattern, a wiring 79 shown in FIG. 44 has a structure forming a plurality of short light transmission windows in the area where a plurality of wirings orthogonally cross. The width (L) of the wirings is also equal to 400  $\mu\text{m}$  in this example. A wiring 80 shown in FIG. 45 is also an example of a variation of the wiring 78 and has a formation having a plurality of wirings bridged over the two wirings formed on the side of the contacting area of

sealing material. The width (L) of each wiring is equal to 400  $\mu\text{m}$ . FIG. 46 shows an example of a variation of the panel shown in FIG. 43a. The whole contacting area of the sealing material 6 on the opposite substrate 4 side overlaps with the BM picture-frame portion 108. By irradiating UV light from the array substrate 16 side, the sealing material can be sufficiently cured in this case as well.

[0256]

#### EXAMPLE 5

Example 5 is described with reference to FIGS. 47a, 47b and FIG. 48. As previously described in the above embodiment, the peaks of bright lines which particularly degrade liquid crystal among the ultraviolet lights transmitting the glass substrate are the line j (313 nm) and the line i (365 nm). In the case of a UV incidence from the color filter side, the CF color plate hardly transmits the line j nor the line i and the BM does not transmit the line nor the line l at all. In short, when entering the UV light from the array substrate 16 side of the transmission-type liquid crystal display, the degradation of the liquid crystal 22 can be prevented by forming the color filter on the array substrate 16 side. Further, in the reflection-type liquid crystal display, a reflection electrode can perform a function of shading to some extent.

[0257] FIG. 47a is an example showing a schematic structure of a part of the cross section of the end portion of the liquid crystal panel. FIG. 47b is a partial plan view of the end portion of the panel viewed toward the array substrate surface. The panel shown in FIGS. 47a and 47b forms a CF 82 in the area forming a pixel on the array substrate side. Therefore, by

blocking at least the line j and the line i among UV lights, the degradation of the liquid crystal 22 can be prevented. FIG. 48 shows a reflection-type liquid crystal display panel utilizing a reflection electrode 83 as an UV shading film to block the line j and the line i. The reflective electrode may  
5 be formed on the side where the liquid crystal of the array substrate surface is filled.

[0258]

#### EXAMPLE 6

Example 6 is described with reference to FIG. 49. When a photo-curing-  
10 type liquid crystal 23 is used, conditions for the light irradiation to the liquid crystal 23 and to the sealing material 6 are different. In this example, an UV light UV9 irradiating the sealing material 6 is equal to approximately 1000 mJ/cm<sup>2</sup> in irradiation energy. Further, an UV light UV10 irradiating the liquid crystal 23 is equal to approximately 2000 mJ/cm<sup>2</sup> in  
15 irradiation energy without the CF. The UV light UV9 for curing the sealing material 6 is irradiated from the array substrate 16 side via the wiring 78 and the like. The UV light UV10 for polymerizing the liquid crystal 23 is irradiated from the opposite substrate 4 side. At this irradiation, the color filter may be formed on either substrates. By separately using the two  
20 conditions for the irradiation with the use of separate light sources in this manner, performing of the most adequate curing for each is possible.

[0259]

#### EXAMPLE 7

Example 7 is described with reference to FIG. 50. By previously  
25 performing polymerization of the liquid crystal 23 which directly affects to

the display quality of the liquid crystal display, it is possible to prevent curing of the liquid crystal 23 from inadequately starting by light leakage or wraparound of UV light when curing the sealing material 6. By curing the liquid crystal 23 in advance, contamination from the uncured sealing material 6 can be suppressed. Further, a material having a photopolymerization characteristic or a liquid crystal material mixed with photopolymerization-type resin may be used for liquid crystal and a heat-curing-type material may be used for a sealing material. In this case, after attaching the two substrates, the liquid crystal can be cured by irradiating the UV light, and then heat treatment for the sealing material can be performed. Since the liquid crystal is cured in advance, contamination from uncured sealing material can be also tolerated for a long period of time in this manner.

[0260]

#### 15 EXAMPLE 8

Example 8 is described with reference to FIG. 51 through FIG. 53. A distinctive characteristic is that visible light photosensitive-type resin is used for the sealing material 6. Therefore, in FIG. 51, the sealing material 6 is first irradiated by a visible light NL1 and cured. At this time, even if the liquid crystal 23 is irradiated by the leaked visible light NL1, since irradiation is off the photosensitive area of the liquid crystal 23, a problem does not occur. Next, the liquid crystal 23 is exposed by irradiating a UV light UV11. At this time, even if the sealing material 6 is irradiated by the leaked light, curing of the sealing material has already been completed, thereby not resulting in any problem. In FIG. 52, the sealing material 6 is

irradiated by a visible light NL2 and cured in a reflection-type liquid crystal display and the like. Then, the liquid crystal 23 is irradiated by an UV light UV12 from the opposite substrate 4 side and exposed. In FIG. 53, the visible light photosensitive-type sealing material 6 is used to cure by a  
5 natural light.

[0261]

#### EXAMPLE 9

Example 9 is described with reference to FIG. 54. The liquid crystal display shown in FIG. 54 shows a state in which an UV light UV13 for curing the  
10 sealing material 6 is irradiated from the array substrate 16 side without specifically limiting the irradiation area. A filter 90 for reducing the amount of irradiation of the UV light UV13 is laminated in the area outside the irradiation area for the sealing material 6 on the surface of the light irradiation side of the array substrate 16. When a difference in condition  
15 for exposure between the liquid crystal 23 and the sealing material 6 exists in the wavelength of light, the light can be modulated by using a band-pass filter for the filter 90. When a difference in condition for exposure between the liquid crystal 23 and the sealing material 6 exists in the amount of light irradiation, the light can be modulated by using a  
20 semi-transmission-type filter for the filter 90. Further, according to this irradiation method, the UV irradiation for curing the sealing material 6 can be performed from the array substrate 16 side and at the same time the UV irradiation for the liquid crystal 23 can be performed from the opposite substrate 4 side.

25 [0262]

## EXAMPLE 10

Example 10 is described with reference to FIG. 55. FIG. 55 shows a state in which a light dispersion member 92 made of glass or film forming irregularities on the surface for dispersing irradiated light is inserted  
5 between the light source for irradiation and the attached substrate 62. In this manner, the phenomenon of wraparound of light already described in the above example can be effectively generated.

[0263] Next, a fabrication method of a liquid crystal display according to a twelfth embodiment of the present invention is described with reference to  
10 FIGS. 56a and 56b. In this embodiment, a fabrication of a liquid crystal display in which peeling of a sealing material is prevented and instillation in the cell process can be steadily performed is described.

[0264] FIGS. 56 shows instillation of liquid crystal in the cell process for the liquid crystal panel according to this embodiment. FIG. 56a shows a  
15 state in which substantially the same amount as liquid crystals are dropped on the array substrate surface in the sealing material 6 so that distances for dispersion between the adjacent drops of fluid are substantially the same, and liquid crystals 188 having the amount less than the dropping amount of the liquid crystal 184 are dropped at  
20 positions where the dispersion of liquid crystal is sparse in the external periphery of the liquid crystal 184. With respect to the dropping position of each liquid crystal 184, the distances to positions where adjacent liquid crystals 184 are dropped have a relationship of  $d1=d2=d3=d4=d5=d6$  as shown in the diagram. FIG. 56b shows a state in which the liquid crystals  
25 184 and 188 are dispersed after the array substrate and the CF substrate



are attached. As shown in FIG. 56b, in this embodiment, a gap 186 at dispersion of liquid crystal after the substrates are attached is small and dispersion of liquid crystal can be completed as little as less than 5 minutes. Therefore, peeling of a seal as in the past does not occur and  
5 neither does a leakage of liquid crystal.

[0265] Thus, this embodiment has a distinctive characteristic in varying the amount of liquid crystals 184 and 188 to be dropped depending on a dropping position in the fabrication process of the liquid crystal display having the process in which the array substrate 16 and the CF substrate 4  
10 are attached after liquid crystal is dropped at a plurality of positions on the array substrate 16. Further, another distinctive characteristic is that liquid crystal is dropped by combining a dropping pattern for deciding the positions to drop the liquid crystal 184 and a dropping pattern for deciding the positions to drop the liquid crystal 188. In this example,  
15 according to the dropping pattern for deciding the dropping positions for the liquid crystal 184, substantially the same amounts of the liquid crystal are dropped so that the distances for dispersion between the adjacent drops of fluid are substantially the same and according to the dropping pattern for deciding dropping positions for the liquid crystal 188, liquid  
20 crystal in the amount less than the amount of the liquid crystal 184 is dropped in positions where dispersion of liquid crystal is sparse at the external periphery of the liquid crystal 184.

[0266] As explained above, by dividing the dropping amount of liquid crystal and the dropping patterns into at least two kinds and performing  
25 liquid crystal instillation, the liquid crystal inside the liquid crystal display

panel can be rapidly and substantially evenly dispersed. Although drops of liquid crystal fluid disperse in a circular shape when attaching the substrates, if liquid crystal is dropped so that the distances for dispersion between the adjacent drops of fluid are substantially the same, interference among the adjacent drops of fluid is minimized and the rectangular-shape area decided by the frame-shape of the sealing material can be densely filled up with circular-shape drops of liquid crystal fluid. Further, if an area where dispersion of liquid crystal is sparse in the external periphery of the dropping positions is created, the amount of liquid crystal adequate for that area can be supplemented. Thus, dispersion of liquid crystal is substantially evenly rapid in both corner portions and inside the panel, thereby preventing occurrences of defects as in the past.

[0267] Next, a liquid crystal display according to a thirteenth embodiment of the present invention is described with reference to FIG. 57 through FIG. 60. This embodiment relates to a fabrication method of a liquid crystal display according to the instilling method and is specifically preferable to be used in a fabrication method of an MVA type liquid crystal panel. First, an instillation according to this embodiment is briefly described with reference to FIG. 57. FIG. 57 shows a cross section of a substrate cut vertical to the substrate surface. In the fabrication method of a liquid crystal display having processes in which liquid crystal is dropped on one substrate (for example, TFT substrate) 16, the one substrate 16 and the other substrate are attached by the sealing material made of photo-curing-type material, and the sealing material is irradiated by light and cured, this

embodiment shown in FIG. 57 has a distinctive characteristic that liquid crystals 192 and 194 are dropped by dividing the liquid crystal instillation into more than two sessions and at the same time the components (structure, composition ratio, etc.) of those liquid crystals 192 and 194 are different. In other words, in this embodiment, the liquid crystal 192 contacting the surface of an alignment film 190 under an atmospheric pressure and the liquid crystal 194 contacting the surface of the alignment film 190 in a vacuum are made of different materials. In order to realize this, when instilling liquid crystal, the liquid crystal 192 higher in reliability is dropped on the substrate 16 and to be contacted with the alignment film 190 for the first time and from the second time, the liquid crystal 194 slightly inferior in reliability than the first time is overlappingly dropped in the area (the same substrate side) where the liquid crystal 192 is dropped the first time.

[0268] Further, as shown in FIG. 58, from the third time, by dropping the liquid crystal 192 or another liquid crystal 196 higher in reliability, the liquid crystal 194 slightly inferior in reliability may be covered by the liquid crystals 192 or 196 which are higher in reliability.

[0269] As shown in FIG. 59, the liquid crystal 192 higher in reliability may be dropped on the substrate 16 for the first time to be contacted with the alignment film 190, the liquid crystal 194 slightly inferior in reliability may be dropped in the area (the same substrate side) where the first dropping has been performed and then the liquid crystal 192 or 196 high in reliability may be dropped in the corresponding area on an opposite substrate 31 facing the substrate 16 and attach.

[0270] Here, the reliability of liquid crystal relates to a characteristic value (physical property value) owned by the liquid crystal material and, generally the following relationship is established. In other words, the resistivity of the liquid crystals 192 and 196 higher in reliability is higher than that of the liquid crystal 194 slightly inferior in reliability, and the liquid crystals 192 and 196 higher in reliability fulfills the requirement of resistivity equal to be more than  $10^{14} >[\Omega].\text{cm}$ . Further, the absolute value ( $|\Delta \epsilon_{192}|$  or  $|\Delta \epsilon_{196}|$ ) of dielectric anisotropy for the liquid crystals 192 and 196 higher in reliability is desired to be smaller than the absolute value of dielectric anisotropy for the liquid crystal 194 slightly inferior in reliability is desirable. The average dielectric constant  $[\epsilon]_{192}$  and  $[\epsilon]_{196}$  average dielectric constant:  $[\epsilon] = (2[\epsilon]_{\text{perpendicular}} + [\epsilon]_{\parallel}) / 3$  of the liquid crystals 192 and 196 higher in reliability are desired to be less than 5.

[0271] As an example distinctly differentiating the reliabilities of the two liquid crystals, for example in FIG. 59, a neutral material (neutral component) having no strong polar group may be dropped as the liquid crystals 192 and 196 higher in reliability and a liquid material (P-type N-type material) having a polar group of fluorine and the like may be dropped as the liquid crystal 194 slightly inferior in reliability.

[0272] Further, by dropping the second liquid crystal 194 on the first liquid crystal 192 previously dropped, it is required that the liquid crystal 192 does not contact with the surface of the alignment film under the atmospheric pressure. So, the surface tension of the liquid crystals 192 and 196 higher in reliability is desired to be smaller than the surface

tension of the liquid crystal 194 slightly less in reliability.

[0273] In the above fabrication method of the liquid crystal display, depending on the dropping position of the liquid crystal inside the surface of the substrate 16, the liquid crystal to be dropped may be in different structure and component composition ratio. FIG. 60 shows an upper surface of the substrate 16 where liquid crystal is dropped. A mark in the diagram indicates the dropping position of liquid crystal. With respect to a mark with diagonal hatching, the plain mark indicates the dropping position of the liquid crystal having a higher ratio of liquid crystal low in reliability and a mark with vertical and horizontal hatchings indicate the dropping position of the liquid crystal having a higher ratio of liquid crystal high in reliability. As shown in FIG. 60, the liquid crystal at the dropping position of liquid crystal close to the main seal 6 for attaching the two substrates has high ratio of the liquid crystals 192 and 196 higher in reliability than the center portion of the substrate. This is because if the positions liquid crystal is dropped contacts with the main seal 6 or is irradiated by UV, the liquid crystal having high resistance against the above is required.

[0274] Furthermore, in the above liquid crystal display, an anneal treatment by the heat treatment and leveling of the liquid crystal layer by the flow of the liquid crystal layer may be performed. This is because if the liquid crystal materials are partially different in the liquid crystal layer area, optical characteristics is scattered and display irregularities occur. The above fabrication method is preferable to be used in a fabrication method for an MVA-mode liquid crystal display using a vertical alignment film and

N-type liquid crystal material and having a bank-like or protrusion-type structure on the substrate.

[0275] Next, a fabrication method of a liquid crystal display according to this embodiment is described using examples.

5 EXAMPLE 1

Glass substrates A and B equal to 50 (mm) in length, 60 (mm) in width and 0.7 (mm) in thickness, forming an electrode X, electrode Y and electrode Z which is equal to 1 cm<sup>2</sup> in electrode area are prepared by using ITO (indium tin oxide) which is a transparent electrode material. By coating a bank-like material S1808 (resist) on the opposing surfaces of the substrates A and B and patterning, a protrusion is formed. After an ashing treatment, an alignment film JALS-684 (made by JSR) is formed on both substrates A and B. An UV sealing material (made by Kyoritsu Kagaku) is coated on the substrate A and a spacer (micropearl SP-204: 4.0 μm) is dispersed on the substrate B.

[0276] By using the instilling equipment, the liquid crystal equal to  $\Delta \epsilon = -2.1$  is dropped only on the electrode Y on the substrate A side. Sequentially the liquid crystal equal to  $\Delta \epsilon = -3.8$  is dropped on the electrodes X, Y and Z on the substrate A side, then a UV light equal to 60 mW/cm<sup>2</sup> in irradiation energy is irradiated to the main seal and the substrates A and B are attached. Then, a polarizing plate is arranged in cross-nicol and an MVA-mode liquid crystal cell is completed. By applying a voltage equal to 3.5V to the liquid crystal cell, display irregularities at a half tone are confirmed. As a result, while there are drop-mark shaped irregularities at the electrodes X and Z, an excellent alignment state

without irregularities are confirmed at the electrode Y portion where dropping is performed twice.

[0277]

#### EXAMPLE 2

5 Using the glass substrate of Example 1, a dropped liquid crystal cell is fabricated by forming banks, protrusions, alignment film, seal coating, UV irradiation and spacer dispersion in a similar manner. Neutral liquid crystal having  $\Delta \epsilon=0$  is dropped only on the electrode Y on the substrate A side. Sequentially liquid crystal having  $\Delta \epsilon=-4.5$  is dropped on the  
10 electrodes X, Y and Z on the substrate A side, then UV light equal to 60 mW/cm<sup>2</sup> in irradiation energy is irradiated to the main seal and the substrates A and B are attached. A polarizing plate is arranged in cross-nicol with respect to these substrates and an MVA-mode liquid crystal cell is completed. After attachment, the liquid crystal cell is sufficiently  
15 annealed and uniformly composed therein by performing an ultrasonic treatment. By applying a voltage equal to 3.5V to the liquid crystal cell, display irregularities at a half tone are confirmed. As a result, while drop-mark shaped irregularities exist at the electrodes X and Z, excellent alignment state without irregularities is confirmed at the electrode Y  
20 portion where dropping is performed twice.

[0278] As described above, by using the fabrication of the liquid crystal display according to this embodiment, display irregularities at the instillation panel can be improved and the display quality of a liquid crystal panel can be improved.

25 [0279] A liquid crystal display and a fabrication method thereof according

to a fourteenth embodiment of the present invention is described with reference to FIG. 61 through FIG. 66. Usually, liquid crystal is dropped at a plurality of positions of the panel by a dispenser. The dropped liquid crystal 22, as shown in FIG. 61, spreads in a concentric circular shape from a dropping point 198 as time passes. As shown in FIG. 112, spreading front end portions of a plurality of dropped liquid crystal overlap with each other and form a corrugated shape. Thus, arrival of the liquid crystal is delayed in comparison with other portions at the corner portions of the main seal which is formed in a rectangular frame-shape, thus resulting in a vacuum air bubbles to be remained or a requirement of a long period of time for liquid crystal to completely spread. If a long period of time is spent for spreading liquid crystal, the time the sealing material and liquid crystal contact is also extended, thereby easily generating a contamination of liquid crystal.

[0280] So, in this embodiment, a protrusion is provided on the substrate to control the spreading speed of liquid crystal. By distributing liquid crystal at a predetermined arrangement density and an arrangement shape on the substrate where the protrusion is formed, the spreading speed and direction of liquid crystal is controlled. Further, a column-shape spacer provided to obtain a predetermined cell gap can be applied as a protrusion to control the spreading speed.

[0281] Although dropped liquid crystal evenly spreads in all directions on the substrate, if liquid crystal contacts with the protrusion, spreading front end portions of liquid crystal spread by wraparounding the protrusion. Therefore, the spreading speed in the direction where the protrusion



exists is relatively slower than the direction where a protrusion does not exist. Therefore, by arranging a plurality of protrusions on the substrate at a predetermined distribution density and a distribution shape, the spreading shape of the spreading front end portions of liquid crystal which is dropped on the substrate can be controlled.

[0282] FIG. 62 shows a pixel formed on the liquid crystal display panel and spreading state of liquid crystal which is dropped on the pixel. Liquid crystal is assumed to be dropped in substantially the center of the pixel electrode having an elongated rectangular shape in the diagram. A relatively long structure 250a is formed at the center of the long side and along the long side of the external shape of the pixel electrode 14 and a relatively short structure 250b is formed at the center of the short side and along the short side of the external shape of the pixel electrode 14 in the external periphery of the pixel electrode 14. No structure is formed in a direction of a diagonal line in the pixel electrode 14. By providing such structures 250a and 250b, the spreading speed of the dropped liquid crystal 22 to each portion is faster in the diagonal direction in comparison with the vertical and horizontal directions. So, the outline shape of front end portions of the spreading liquid crystal changes from a circular shape to a square shape. Therefore, as shown in FIG. 63, by arranging the structures 250a and 250b in the whole panel, the outline shape of the front end portions of the spreading liquid crystal can be substantially similar figures to the shape of the frame-shape main seal 6. Further, if the arrangement shape and density of the structure are controlled, spreading speed can be also controlled. Furthermore, spacers such as beads and

the like can be used by replacing the structure 252 with the predetermined cell gap.

[0283] According to this embodiment, the direction and speed of liquid crystal to spread can be controlled and the liquid crystal can be spread  
5 along the shape of the main seal. Thus, the yield can be improved by reducing the generation of vacuum bubbles remained in the corner portions of the main seal, thereby fabricating a liquid crystal display panel having a high attaching accuracy at a low cost. A liquid crystal display and a fabrication method thereof according to this embodiment are  
10 described below with reference to examples.

[0284]

#### EXAMPLE 1

A structure is formed on the CF substrate. The structure is formed by overlaying color plates. Further, two kinds of structures are formed. One  
15 is a structure 252, as shown in FIG. 64, to define a cell gap and the others are structures 250a and 250b, as shown in FIG. 65, to control spreading of liquid crystal. The structure 252 to define the cell gap is formed on the whole surface of the substrate 4. On the other hand, the structures 250a and 250b to control spreading of liquid crystal, as shown in FIG. 66, are  
20 arranged adjacent to the seal. In this example, the structures 250a and 250b are provided in the internal periphery of the main seal 6a width of approximately  $\{fraction (1/10)\}$  of the long side of the main seal in the horizontal direction of the main seal 6, and a width of approximately  $\{fraction (1/10)\}$  of the short side of the main seal in the vertical direction  
25 of the main seal 6.

[0285] It will be noted that the density of the structure 252 defining the cell gap may be reduced depending on the accuracy of the cell gap. After liquid crystal is dropped, the two substrates are attached under a decompressed circumstance. When the circumstance is restored to the pressurized state (atmospheric pressure), the liquid crystal spreads. However, in the center portion of the panel where the structure 252 defining the cell gap exists, the dropped liquid crystal spreads in a concentric circular shape having the dropping point as a center. When the liquid crystal reaches the area where the structures 250a and 250b controlling the spreading of liquid crystal exist, the direction of the spreading liquid crystal is controlled by the structures 250a and 250b and the spreading becomes easy in the diagonal direction of the pixels. Therefore, the outline shape of the spreading front end portions change from the concentric circular shape to a square shape while spreading, and lastly the liquid crystal spreads having substantially the same shape as the main seal 6. As a result, since a time to reach the main seal 6 is substantially the same at each area of the main seal, the generation of the vacuum bubbles at corner portions can be suppressed.

[0286] According to this embodiment, liquid crystal can be evenly spread and a panel in which vacuum bubbles do not remain in corner portions of the seal can be fabricated with high yield.

Further, in the above fabrication method of the liquid crystal display, the arrangement density and arrangement shape of the structures can be also controlled so that the spreading speed in which the spreading front end portions of the dropped liquid crystal do not contact with the main seal 6

immediately after pressurized state is restored. It will be noted that when a first dummy seal 6 and a second dummy seal 8 are formed in the external periphery of the main seal 6, a vacuum area is formed between the first dummy seal 6 and the second dummy seal 8 when pressurized after the substrates are attached. At this time, the distance between the spreading front end portions of the dropped liquid crystal and the main seal 6 is the same as or more than the width between the first dummy seal 6 and the second dummy seal 8.

[0287] Next, a fabrication method of a liquid crystal display according to a fifteenth embodiment of the present invention is described. An object of this embodiment is to steadily perform a liquid crystal instillation in the cell process by reducing substrate deformations and display defects. In this embodiment, a fabrication method of a liquid crystal display having a distinctive characteristic in holding method of the glass substrate in a vacuum in order to realize the above object is described.

[0288] FIGS. 67a through 67d show cross section cut vertically to the liquid crystal panel, and a liquid crystal instillation, a substrate attachment process and a substrate maintaining operation when attaching the substrates according to this embodiment is described with reference to FIGS. 67a through 67d. First, in FIG. 67a, the array substrate 16 is mounted on a parallel surface plate 256. The frame-shape sealing material 6 has been already formed on the array substrate 16 and liquid crystal 184 is further dropped on the surface of the array substrate 16 by instillation. In this example, the sealing material 6 is coated by approximately 20  $\mu\text{m}$  in thickness. The dropping amount of liquid crystal inside the frame-shape

sealing material 6 by a dispenser is determined by taking the thickness of a cell into consideration after the liquid crystal display panel is attached. For example, if lengths of the vertical and horizontal sides of the internal wall of the frame-shape sealing material 6 are equal to 187.4 mm\*247.7 mm, the dropping amount of liquid crystal is equal to approximately 280 ml.

[0289] The liquid crystal instillation is performed in an atmosphere. An electrostatic chuck 264 which does not operate in an atmosphere is provided on the upper surface of the parallel surface plate 256, and the array substrate 16 on the parallel surface plate 256 is mounted on the parallel surface plate 256 by a positioning pin (not shown in the diagram) and the like.

[0290] The CF substrate 4 mounted on a parallel surface plate 258 and held by a mechanical holding device 260 directly opposes the array substrate 16 mounted on the parallel surface plate 256 apart by a predetermined distance. Although an electrostatic chuck 262 is provided on the upper surface of the parallel surface plate 258, the electrostatic chuck 262 does not operate in an atmosphere. Therefore, the CF substrate 4 on the parallel surface plate 258 is held by the mechanical holding device 260. Spacers 254 dispersing a plurality of beads are previously attached on the substrate 4 surface. The spacer 254 may certainly form a plurality of column shaped member with a predetermined height from the CF substrate 4 surface in place of dispersing beads.

[0291] Next, the pressure of an environment is reduced from the above state to approximately  $5 \times 10^{-3}$  torr. After performing a predetermined

pressure reduction, the electrostatic chuck 264 on the upper surface of the parallel surface plate 256 is operated, and the array substrate 16 is fixed on the parallel surface plate 256 by an electrostatic attraction. Further, in a similar manner, the electrostatic chuck 262 on the upper surface of the parallel surface plate 258 is operated and the CF substrate 4 is fixed on the parallel surface plate 258 by the electrostatic attraction. By the above operations, deformations such as a curvature, deflection or the like of the substrate are removed from the array substrate 16 and the CF substrate 4, and at the same time the array substrate 16 and the CF substrate 4 are securely fixed on the surface plates respectively so that a displacement of substrates and the like do not occur when the substrates are attached in the next process. Furthermore, the operations of the electrostatic chucks 262 and 264 can be started if the pressure of the environment is in a stable condition less than  $1 \times 10^{-1}$  torr and an electric discharge between a circuit element such as TFT and the like formed on the array substrate 16 and gas in the environment does not occur.

[0391] Next, after an alignment of the array substrate 16 and the CF substrate 4 are performed, as shown in FIG. 67b, the two parallel surface plates 256 and 258 are brought closer and the attachment of the array substrate 16 and the CF substrate 4 is performed. A load at the time of attachment of the substrates is equal to approximately 150 kgf.

[0292] Next, as shown in FIG. 67c, by releasing the attraction due to the electrostatic chuck, the CF substrate 4 is released from the parallel surface plate 258 and the pressure of the environment is restored to the atmospheric pressure. Thus, the opposite array substrate 16 and the CF

substrate 4 are further pressurized by the atmospheric pressure via the sealing material 6, liquid crystal 184 and spacers 254, thereby obtaining a uniform cell gap and at the same time uniformly spreading the liquid crystal 184 inside the sealing material 6 as well.

5 [0293] Then, as shown in FIG. 67d, by performing, for example, an UV (ultraviolet light) irradiation 266 to the sealing material made of photo-curing-type resin, the sealing material 6 is cured.

[0294] As described above, according to the fabrication method of the liquid crystal display including the substrate holding method according to  
10 this embodiment, a substrate can be securely held on a parallel surface plate even at the degree of vacuum less than  $10^{-1}$  torr. Therefore, the fabrication method according to this embodiment is extremely effective to be used in an instillation process on the premise that substrates are to be attached in a vacuum. Further, since the pressure at the time of substrate  
15 attachment can be sufficiently increased, the substrates can be uniformly attached. Furthermore, generation of the air bubbles in a liquid crystal layer inside the liquid crystal display panel can be prevented. Thus, the liquid crystal display panel superior in attachment accuracy can be fabricated at a low cost.

20 [0295] Next, a liquid crystal display and a fabrication method thereof according to a sixteenth embodiment of the present invention are described with reference to FIGS. 68a and 68b. An object of this embodiment is to steadily perform liquid crystal instillation in the cell process by reducing substrate deformations and display defects which  
25 can be produced due to the electrostatic chuck used in the fifteenth

embodiment. In this embodiment, a fabrication method of a liquid crystal display having a distinctive characteristic in a holding method of a glass substrate in a vacuum in order to realize the above objects is described.

[0296] FIGS. 68a and 68b are diagrams describing an attachment of substrates by an electrostatic chuck according to this embodiment. FIG. 5 68a shows, as an example, a plan view of a glass substrate 268 structured by two array substrates 16 and 16' when the glass substrate 268 is electrostatically attracted by electrostatic chucks 272 through 278. FIG. 68b shows a cross section cut at a line A-A shown in FIG. 68a viewed 10 toward the cross section when the array substrate 16 and the CF substrate 4 are attached.

[0297] As shown in FIGS. 68a and 68b, two conductive paths 292 and 294 electrically connecting both array substrates 16 and 16' are formed at an area between the areas to be the array substrate 16 and 16' (hereinafter, 15 abbreviated as array substrate 16 and 16') which is a two-panel formation area formed in parallel on the glass substrate 268. It will be noted that although the conductive paths are provided at two places in this embodiment, this is not limited to this and the conductive paths can be provided in one place or more than three places. The electrostatic chuck 20 for electrostatically attracting the glass substrate 268 has four electrodes 272, 274, 276 and 278 on the parallel surface plate. Among the four electrodes 272 through 278, the electrodes 272 and 276 structure positive electrodes and the electrode 274 and 278 structure negative electrodes. A power source 288 is connected between the positive electrodes 272 and 25 276 and the negative electrodes 274 and 278. By an applied voltage from



the power source 288, the surface of one array substrate 16 is electrostatically attracted by the positive electrodes 272 and 276, and the surface of the other array substrate 16' is electrostatically attracted by the negative electrodes 274 and 278. An air gap is provided between boundaries of each electrode 272 through 278. Although illustration of the plan view is omitted, the electrostatic chuck of the glass substrate on the CF substrate 4 side also has the similar structure to the above structure on the array substrate 16 and 16' side, in which positive electrodes 280 and 284, negative electrodes 282 and 286 (illustration omitted), and a power source 290 to apply voltage to the above electrodes are provided.

[0298] Further, the conductive paths (not shown in the diagram) electrically connecting the two CF substrates 4 is also formed, in the similar manner to the glass substrate 268 on the glass substrate 270 which is a panel formation area and a plurality of areas to be the CF substrates 4 (hereinafter, abbreviated as a CF substrate 4), are formed. Particularly, since a common electrode which is a conductive film on the CF substrate 4 side is formed only in the display area in order to prevent the display defects caused by a reduction in adhesive strength of a sealing material or a shortage, usually the CF substrates 4 are electrically separated. Therefore, if the whole substrate surface is electrically conducted by providing a line-shape conductive path between the CF substrates 4, the substrate attraction can also accomplished by applying a voltage of the same polarity to one of the CF substrates 4.

[0299] By mounting a glass substrate on which a conductive film is formed and applying a voltage between the electrode and the conductive

film, and by generating the coulomb's force between the glass and the  
conductive film, the glass substrate can be attracted on electrostatic  
chucks of such a structure. In the case shown in FIGS. 68a and 68b, the  
conductive film on the glass substrate 268 is composed of pixel  
5 electrodes formed on the array substrate 16 and 16', gate wirings, data  
wirings and the like. Further, the conductive film on the glass substrate  
the CF substrates 4 is formed thereon is composed of the common  
electrode and the like.

[0300] In order to attach the array substrates 16 and 16' and the CF  
10 substrates 4 by using such electrostatic chucks, by contacting the  
positive electrodes 272 and 276 to the array substrate 16, also contacting  
the negative electrodes 274 and 278 to the array substrate 16', and  
applying a predetermined voltage between the positive and negative  
electrodes, the glass substrate 268 is electrostatically attracted. At this  
15 time, as shown in FIGS. 68a and 68b, the surface of the array substrate 16  
of the glass substrate 268 is charged with negative (-) and the surface of  
the array substrate 16' is charged with positive (+) by the conductive  
paths 292 and 294. Accordingly, since only the electric charges of the  
same polarity concentrates on a single array substrate 16 or 16', a  
20 boundary between positive charge and negative charge within a single  
array substrate 16 is not created as in the past. Therefore, since impure  
ion in the liquid crystal is not selectively adsorbed on the alignment film,  
display irregularities in which the surface of the liquid crystal display  
panel is divided into two equal parts and brightness becomes uneven do  
25 not occur.

[0301] Furthermore, when the glass substrate 268 forming the array substrates 16 and 16' and the glass substrate 270 forming the CF substrates 4 are attached while being held by electrostatic attraction, as shown in FIG. 68b, if a voltage of the same polarity is applied to the opposing surfaces of the both substrates, electric charges of the same polarity concentrate on both opposing substrates and repel to each other, thereby reducing the substrate attraction strength by electrostatic attraction and preventing substrate deformations and contacts among the substrates.

10 [0302] Next, a fabrication method of a liquid crystal display according to a seventeenth embodiment of the present invention is described with reference to FIGS. 69a and 69b. An object of this embodiment, similar to the sixteenth embodiment, is to steadily perform a liquid crystal instillation in the cell process by reducing substrate deformations and display defects which can be caused by the electrostatic chucks used in the fifteenth embodiment. In this embodiment, a liquid crystal display having a distinctive characteristic in a holding method of the glass substrate in a vacuum is described. FIGS. 69a and 69b are diagrams describing an attachment of substrates with the use of electrostatic chucks according to this embodiment. FIG. 69a shows, as an example, a plan view in which the glass substrate 268 structured by two array substrates 16 and 16' is electrostatically attracted by electrostatic chucks. FIG. 69b shows a structure of an electrode which includes an enlarged view of the inside the circular-shape frame of FIG. 69a.

25 [0303] As shown in FIGS. 69a and 69b, the two array substrates 16 and 16'

(panel forming area) are formed in parallel on the glass substrate 268. The electrostatic chucks for electrostatically attracting the glass substrate 268 have two electrode portions 296 and 297 on the parallel surface plate. FIG. 69b is an enlarged schematic view of the electrode portion 296. As shown in FIG. 69b, the electrode portion 296 of the electrostatic chuck is formed so that the teeth of a comb-shape positive electrode 300 and the teeth of a comb-shape negative electrode 302 are alternating to face to each other. The positive electrode 300 and the negative electrode 302 are connected to a power source 304. By applying a voltage to a circuit from the positive electrode 300 to the negative electrode 302 via the surface of the array substrate 16, the surface of the array substrate 16 can be electrostatically attracted.

[0304] In this embodiment, the space (electrode pitch) between the comb-teeth shape electrodes of the positive electrode 300 and the negative electrode 302 is fined to be equal to approximately 100 to 1000  $\mu\text{m}$ . Therefore, even if a voltage is applied between both electrodes alternating to each other at minute intervals, the boundary as is in the past becomes fine. Thus, the fabricated liquid crystal panel can obtain a uniform display quality on the display surface.

[0305] Next, a liquid crystal display and a fabrication method thereof according to an eighteenth embodiment of the present invention with reference to FIGS. 70a, 70b, and FIG. 71. It will be noted that the structuring elements having the same operation functions as the first through seventeenth embodiments are referred by the same codes and the descriptions are omitted. FIGS. 70a and 70b show a comparison

between a photo-curing process by the conventional (FIG. 70a) instillation and a photo-curing process by an instillation according to this embodiment (FIG. 70b). Both processes are the same from a coating of the sealing material after dropping liquid crystal and vacuum exhaustion (step  
5 S1) to attaching the array substrate and the opposite substrate in an vacuum environment (step S2).

[0306] The attached substrates are returned in an atmosphere and the liquid crystal inside the substrates is dispersed by a use of the atmospheric pressure in the past (step S3). In order to completely  
10 disperse the liquid crystal, the substrates are further left for several minutes (step S4). Then, a shading mask is set on the substrate so that UV light is irradiated only to the area adjacent to the sealing material (step S5). In order to cure the sealing material, the UV light from an UV light source is irradiated from the color filter side through the shading mask,  
15 thereby completing the photo-curing process (step S6).

[0307] On the other hand, in this embodiment, UV light for curing the sealing material is irradiated from the UV light source (step S3') in parallel with returning the substrates in an atmosphere and dispersing the liquid crystal inside the substrates by the air press (step S3). This step S3' is  
20 performed during the air press in the step S3 and at the same time until the liquid crystal reaches the sealing material and transfer, and the sealing material is photo-cured by being directly irradiated the UV light on the color filter side. After completing the air press and the UV irradiation, the substrates are left for several minutes for liquid crystal dispersion,  
25 thereby completing the photo-curing process (step S4).

[0308] It will be noted that, with respect to the relationship of the substrates arrangement, the opposite substrate forming the color filter thereon is provided on the upper substrate side and the array substrate is provided on the lower substrate side in both of the conventional examples and this embodiment. Further, photo-curing is performed without fixing the substrates in the conventional example, and in this embodiment, photo-curing is performed by fixing the lower substrate on the parallel surface plate by vacuum chucks. As a result, in the conventional example, picture-frame irregularities occur due to press defects and a displacement equal to approximately 7 to 10  $\mu\text{m}$  occurs due to waviness and curvature of the substrate. In this embodiment, picture-frame irregularities do not occur and a displacement can be suppressed within 3  $\mu\text{m}$ .

[0309] Next, a substrate attachment equipment used in this embodiment is described with reference to FIG. 71. As shown in FIG. 71, the substrate attachment equipment has a vacuum stage 71 on which a plurality of vacuum attraction holes 74 for fixing the substrate by vacuum chucks are formed and a substrate pressing portion 72 which has a plane surface for pressing opposing the stage surface of the vacuum stage 71 and forms a plurality of air blow-off holes 76 for air press on the said pressing plane surface. The substrate pressing portion 72 movable vertically in the diagram so that the opposing distance between the stage surface and the pressing plane surface of the substrate pressing portion 72 can be varied. It will be noted that in place of the vacuum stage 71, a stage having the electrostatic chucks may be certainly used as well. Further, since an UV light source 66 similar to the one described in the sixth embodiment is

installed on the substrate pressing portion 72, the UV light can be irradiated to the sealing material 6 during air press.

[0310] With the use of the above structure, the array substrate 16 is fixed on the vacuum stage 71 by attraction using the vacuum attraction holes 74 (or electrostatic chucks) and pressurized by air press by blowing the air from the air blow-off holes 76 of the substrate pressing portion 72 to the surface of the opposite substrate 4. At the same time, UV light is irradiated from the UV light source 66 and the sealing material 6 and transfer are cured. Since the array substrate 16 is fixed in parallel on the vacuum stage 71 according to this equipment, even if the opposite substrate 4 on the unfixed side has waviness or curvature, after heat treatment, the stress is released to be along the array substrate 16 side, thereby minimizing a displacement. Further, since the sealing material 6 is photo-cured while being pressurized by air press from the opposite substrate 4 side, the sealing material 6 is not pushed back and press defects can be prevented.

[0311] Furthermore, according to this embodiment, the sealing material 6 and transfer are cured by an irradiation of the UV light before the liquid crystal 22 reaches the sealing material 6 and transfer. Therefore, contamination of the liquid crystal 22 due to contacts between the uncured sealing material 6 and the liquid crystal 22 can be prevented. Also, as in this embodiment, by making the lower substrate as the array substrate 16 and the upper substrate as the opposite substrate 4 the color filter is formed, the color filter can be used as a shading mask.

[0312] Next, a liquid crystal display and a fabrication method thereof

according to a nineteenth embodiment of the present invention is described with reference to FIG. 72 through FIG. 78. First, a fabrication method is briefly described with reference to FIG. 72 and FIG. 73. FIG. 72 is a schematic oblique view of the array substrate 16 equal to 515 (mm)\*404 (mm) structured by the two panels. Alignment layer treatment is performed inside the area of the two panels on the array substrate 16 and a frame-shape main seal 306 is coated in the external periphery of each panel area. At the same time, a dummy seal 308 surrounding the two main seals 306 at a predetermined air gap is coated. A heat combination-type sealing material is used for the main seal 306 and the dummy seal 308.

[0313] After coating the sealing materials, the liquid crystal 22 is dropped inside the area of the two panels on the array substrate 16 by instilling method.

[0314] Next, as shown in FIG. 73, the array substrate 16 and the CF substrate 4 are attached. Adhesive spacers are previously dispersed on the CF substrate 4. This process is performed in a vacuum. Next, when the attached substrates are returned in an atmosphere, as the cross section shown in FIG. 74, the liquid crystal 22 between the attached substrates of the array substrate 16 and the CF substrate 4 is spread due to the atmospheric pressure. At this time, a vacuum area 310 is formed between the main seal 306 and the dummy seal 308, as shown in FIG. 74, forces P and P1 from the atmosphere operate according to an area on the substrate in the vacuum area 310. These forces P and P1 are used for creating the gap for the main seal. By controlling the forces P and P1 from the atmosphere, a desired gap can be created. For example, when the



viscosity of the main seal is high, as shown in FIG. 75, by making the area on the substrate in the vacuum area 310 larger than the area shown in FIG. 74, a larger force P2 can be operated to create the gap. FIG. 76 shows a difference of cell gaps, obtained by varying the area on the substrate surface in the vacuum area 310, adjacent to the center portion of the display area and the main seal. As shown in FIG. 76, by varying the area on the substrate surface in the vacuum area 310, the difference of the cell gaps can be controlled.

[0315] Further, according to this embodiment, since the gap can be created by the vacuum area 310, a conventional gap controlling material 312 made of glass fiber and the like arranged in the main seal 306, as shown in FIG. 77a, is no longer required, thereby easily creating a gap regardless of variations in cell gap due to changes in size or structure of the panel. Furthermore, as shown in FIG. 77b, instead of providing the gap controlling material 312 in the main seal 306, a bank material 314 for defining the height of a gap can be previously formed adjacent to the main seal 306.

[0316] Also, as shown in FIG. 78, by installing a thermal heater plate 316 on the substrate attachment stage and mounting the array substrate 16 on which the main seal 306 and the dummy seal 308 are created, attachment with the CF substrate 4 can be performed. In this case, since the viscosity of the sealing material is increased by heating the sealing material and promoting the curing of the seal, the more heat is applied, the thicker the gap becomes. Therefore, by heating the sealing material just before the substrates are attached or during the time the substrates are attached in a

vacuum, the gap creation can be controlled.

[0317] Thus, according to this embodiment, a preferable cell gap can be also formed by using the instilling method of liquid crystal. A fabrication method of a liquid crystal display according to a twentieth embodiment of the present invention is described with reference to FIG. 79 through FIG. 87. This embodiment relates to a fabrication method of a liquid crystal display by the instilling method. When vacuum bubbles are left in the sealing material in the liquid crystal instillation process, liquid crystal leaks after attaching the substrates and the vacuum bubbles remain in the panel display, thereby resulting in display irregularities. Further, if a sealing material with a low to mid-viscosity (80,000 to 400,000 cps) is used, the sealing material is separated from the substrate before being cured and the liquid crystal may leak out from the separated portion, thereby resulting in display irregularities. Furthermore, if a cell gap is created thick due to an excessive amount of the dropped liquid crystal, the surface of the panel end is shaved and an excess of liquid crystal is extracted, thereby obtaining a uniform cell gap. However, a problem of a cost increase can not be avoided.

[0318] In this embodiment, in order to solve the above problems, a main seal is formed in the periphery of the panel area, a first dummy seal is formed by surrounding the main seal with a predetermined air gap, and liquid crystal is dropped both inside the main seal and the air gap.

[0319] According to this embodiment, display irregularities at instillation can be minimized, a problem of a seal peeling caused by the viscosity of a sealing material and the like can be further eliminated, thereby to easily

selecting a material and at the same time easily controlling a cell gap.

[0320] A fabrication method of a liquid crystal display according to this embodiment is described using examples below.

#### EXAMPLE 1

5 A CF substrate and a TFT substrate which are performed an alignment layer treatment thereon and equal to 515 mm\*404 mm are used. As shown in FIG. 79, a first dummy seal 324 is formed by coating a heat-combination-type sealing material so that the dummy seal 224 surrounds a main seal 322 on a TFT substrate 320. Further, a second dummy seal 326  
10 is also formed by coating the heat-combination-type sealing material in the external periphery of the first dummy seal as well. Next, as shown in FIG. 80, liquid crystal 328 is dropped inside the main seal 322 and in the area between the main seal 322 and the first dummy seal 324.

[0321] Next, as shown in FIG. 81, adhesive spacers (not shown in the  
15 diagram) are dispersed on a CF substrate 330 and the CF substrate 330 and the TFT substrate 320 are attached in a vacuum. Then the substrates are returned in an atmosphere and at the same time a gap is created.

[0322] At this time, if a notch 332 and the like are generated in a part of the main seal 322 as shown in FIG. 82b, liquid crystal flows out of the main  
20 seal 322 through the notch 332 and a vacuum bubble 334 enters inside the main seal 322, thereby resulting in generating display irregularities.

[0323] In this example, as shown in FIG. 82a, the notch 332 is intentionally provided in a part of the main seal 322 so that the liquid crystal 328 leaks  
25 out of the main seal 322. However, since the liquid crystal 328 is in between the main seal 322 and the first dummy seal 324, a vacuum bubble

does not enter inside the main seal 322 and display irregularities do not occur.

[0324]

#### EXAMPLE 2

5 Using the TFT substrate 320 of Example 1 and keeping an area between the first dummy seal 324 and the second dummy seal 326 as an air gap, the TFT substrate 320 and the CF substrate 330 are attached as shown in FIG. 83. Adhesive spacers are previously dispersed on the CF substrate 330. This process is performed in a vacuum. Next, when the attached  
10 substrates are returned in an atmosphere, the liquid crystal 328 between the attached TFT substrate 320 and the CF substrate 330 is spread due to the atmospheric pressure as in a cross sectional view shown in FIG. 83. At this time, since a vacuum area is formed between the first dummy seal 324 and the second dummy seal 326, forces P and P1 from the  
15 atmosphere are operated, as shown in FIG. 83, according to an expanse of the vacuum area on the substrates. These forces P and P1 are utilized to create a gap in the main seal 322. By controlling the forces P and P1 from the atmosphere, a desired gap can be created.

[0325]

#### 20 EXAMPLE 3

The main seal 322 is formed by a sealing material with low to mid-viscosity (80,000 to 400,000 cps) and the first dummy seal 324 and the second dummy seal 326 are formed by a sealing material with high viscosity and strong adhesion. Although when the main seal 322 and the  
25 first and a second dummy seals 324 and 326 are formed by the sealing

material with low to mid-viscosity, a seal peeling and a leakage of liquid crystal are generated. By using the sealing material with strong adhesion for the first and second dummy seals 324 and 326, display irregularities due to a leakage of liquid crystal and the like do not occur although a seal peeling of the main seal 322 may be generated.

[0326]

#### EXAMPLE 4

As shown in FIG. 84, the notch 332 is formed in a part of the main seal 322. The first dummy seal 324 is coated in the external periphery of the main seal 322. Liquid crystal is dropped in the whole area inside the first dummy seal 324, and the CF substrate and the TFT substrate are attached in a vacuum. After a gap is determined along with the release of atmosphere, the substrates are put in the oven at 120[deg.] C. for performing a full curing of the sealing material and the seal is completely cured. At this time, the cell gap inside the panel display is formed to be 0.4  $\mu\text{m}$  thinner than the intended thickness.

[0327] Then, by using a pressurization jig 336 shown in FIG. 85, the area between the main seal 322 and the first dummy seal 324 is pressurized by the pressure of 0.3 kg/cm<sup>2</sup> for 10 hours. Owing to this pressurization, the liquid crystal 328 between the main seal 322 and the first dummy seal 324, as shown by arrows in FIG. 86, flows into inside the main seal 322 through the notch 332 of the main seal 322, and a predetermined cell gap can be obtained.

[0328] On the other hand, when the cell gap inside the panel display is thicker than the intended value, inside the main seal 322 is pressurized by

the pressurization jig 336. By this pressurization, the liquid crystal 328 inside the main seal 322, as shown by the arrow in FIG. 87, flows out of the main seal 322 through the notch 332 of the main seal 322 and a predetermined cell gap can be obtained.

5 [0329] As described above, according to this embodiment, display irregularities at instillation can be minimized and the yield can be improved.

[0330] Next, a liquid crystal display and a fabrication method thereof according to a twenty-first embodiment of the present invention are described with reference to FIGS. 88a and 88b. In this embodiment, a liquid crystal display which can suppress irregularities in cell gap even if the amount of liquid crystal drops at instillation in the cell process is not accurate is described. FIGS. 88a and 88b are diagrams describing an attachment according to this embodiment. FIG. 88a is a cross section cut vertically to the surface of a liquid crystal panel and shows an intermediate state of substrate attachment. FIG. 88b is a cross section cut vertically to the surface of a liquid crystal panel and shows a completed state of substrate attachment. In the diagram, the structuring members having the same functional operations as the structuring members previously described are referred by the same codes previously used and the descriptions are omitted.

[0331] As shown in FIGS. 88a and 88b, on the array substrate 16, a convex-type structure 298 for defining a cell gap is provided in frame shape inside the sealing material 6 and outside the display area 10. Further, on the CF substrate 4, a convex-type structure 300 for defining a

cell gap is also provided in frame shape inside the sealing material 6 and outside the display area 10 and at the same time at a position facing the convex-type structure 298 on the array substrate 16.

[0332] A liquid crystal 184 which is more than the amount required to fill  
5 inside the display area 10 and at the same time also less than the amount required to fill inside the sealing material 6 is dropped inside the convex-type structure 298 on the array substrate 16. Then, substrate attachment is performed by the method which is previously described. First, as shown in FIG. 88a, the array substrate 16 and the CF substrate 4 are  
10 brought closer together and the front end portion of the sealing material 6 on the array substrate 16 side contacts with the CF substrate 4. Although both of the substrates 4 and 16 are further brought closer together by pressurization, at this intermediate point of substrate attachment, space between the convex-type structures 298 and 300 still exists, and therefore  
15 excess liquid crystal 184' overflowing from the display area 10 is drained to an air gap 94 in a gap portion 93 between the sealing material 6 and the convex-type structures 298 and 300.

[0333] In a state in which substrate attachment is completed as shown in FIG. 88b, both of the front end portions of the convex-type structures 298  
20 and 300 are closely adhered, and a predetermined cell gap is decided by the sum of the heights of both structures. At the same time, drainage of the excess liquid crystal 184' is also prevented. Even if the air gap 94 exists in the gap portion 93 to some degree, since the gap portion 93 is outside the display area, a problem does not occur. It will be noted that  
25 although the convex-type structures 298 and 300 are formed on both of

the array substrate 16 and the CF substrate 4 in this embodiment, this is not limited to this. A convex-type structure with a predetermined height may certainly be provided on only the array substrate 16 side or only the CF substrate 4 side.

5 [0334] As described above, according to this embodiment, even if the dropping amount of liquid crystal varies, since the excess liquid crystal 184' is drained between the sealing material 6 and the convex-type structures 298 and 300, the array substrate 16 and the CF substrate 4 are pressurized toward each other by the heights of the convex-type  
10 structures 298 and 300. Accordingly, a cell gap is defined by the heights of the convex-type structures 298 and 300. Therefore, a problem in which a cell gap varies depending on the dropping amount of liquid crystal as in the past does not occur. In other words, even if the amount of liquid crystal drops is not accurate, irregularities in cell gap can be suppressed.

15 [0335] Next, a liquid crystal display and a fabrication method thereof according to a twenty-second embodiment of the present invention are described with reference to FIG. 89. In this embodiment similarly to the sixth embodiment, a liquid crystal display in which irregularities in cell gap can be suppressed even if the dropping amount of liquid crystal at  
20 instillation in the cell process is not accurate is described. In the diagram, the structuring members having the same functional operations as the structuring members previously described are referred by the same codes previously used and the descriptions are omitted.

[0336] As shown in FIG. 89, in the display panel according to this  
25 embodiment, the sealing material has a double structure in which an inner



sealing material is the rectangular frame-shape sealing material 6 as shown in FIGS. 1a and 1b and the like and another rectangular frame-shape sealing material 340 is formed outside the sealing material 6. An opening portion 342 is provided inside the sealing material by cutting out  
5 a portion of the sealing material 340 so that liquid crystal can flow out.

[0337] By liquid crystal instillation process, liquid crystal more than the amount required to fill inside the sealing material 6 but less than the amount to fill inside the sealing material 340 is dropped. Then, both substrates are pressurized and attached. At this time, liquid crystal which  
10 becomes an excess inside the sealing material 6 flows out from the opening portion 342 of the sealing material 6 to an area between the sealing material 6 and the sealing material 340.

[0338] As described above, according to this embodiment, even if the dropping amount of liquid crystal varies, since an excess liquid crystal is  
15 drained between the sealing material 6 and the sealing material 340, a problem in which a cell gap varies depending on the dropping amount of liquid crystal is not accurate, irregularities in cell gap can be suppressed.

[0339] Further, in this embodiment, the opening portion 342 of the sealing material 6 is provided on a side portion 344 where a TFT terminal portion 2  
20 is not formed. Since the substrates are cut in the area between the sealing material 6 and the sealing material 340 after the substrates are attached, the opening portion 342 is required to be sealed after the substrates are cut. If the opening portion 342 is provided on a side portion of the TFT terminal portion 2 side, a plan to prevent a sealing material from flowing  
25 to a TAB (Tape Automated Bonding) pressing area is required and the

sealing process becomes complicated. On the other hand, if the opening portion 342 is provided on the side portion 344 side where the TFT terminal portion 2 is not formed, the closing process can be simply performed.

5 [0340] Next, a liquid crystal display and a fabrication method thereof display according to a twenty-third embodiment of the present invention are described with reference to FIGS. 90a through 90c. In the diagram, the structuring members having the same functional operations as the structuring members previously described are referred by the same codes  
10 previously used and the descriptions are omitted. First, FIG. 90a shows an upper surface on the array substrate 16 side and FIG. 90b shows a cross section cut at a line A-A of FIG. 90a. The display area 10 is formed on the array substrate 16 and the sealing material 6 is formed in rectangular frame-shape in the periphery of the display area 10. Six sealing materials  
15 346-1 through 346-6 which are in a rectangular frame-shape and have a definite space inside the frame are formed in the external periphery of the sealing material 6.

[0341] In the liquid crystal instillation process, liquid crystal is dropped only on the display area 10 inside the sealing material 6 and liquid crystal  
20 is not dropped inside the frames of the sealing materials 346-1 through 346-6. Then, the array substrate 16 and the CF substrate 4 (not shown in the diagram) are attached in the vacuum environment. Accordingly, since inside the frames of the sealing materials 346-1 through 346-6 where liquid crystal is not dropped is attached in a decompressed state, the  
25 sealing materials 346-1 through 346-6 function as a suction cups in an

atmosphere. Thus, a displacement between both substrates when the panel is released in an atmosphere after the substrates are attached can be certainly prevented and the accuracy of attachment can be improved.

[0342] FIG. 90c shows an example of a variation of the sealing material 346-1 through 346-6 in which a plurality of cylindrical sealing materials 346, in place of the rectangular frame-shape shape, are provided in the external periphery of the sealing material 6. Since inside of the cylindrical frames of the sealing materials 346 is also attached in a decompressed state in this manner, when the substrates are returned into the atmosphere, the sealing materials 346 function as suction cups. Thus, a displacement between both substrates when the panel is released in the atmosphere after the substrates are attached can be certainly prevented and the accuracy of attachment can be improved. Shape, size, quantity, position of arrangement and the like are not limited to the examples in FIGS. 90a through 90c and various shapes can be adopted.

[0343] As described above, according to the above first through twenty-third embodiments, problems in fabricated technology related to a liquid crystal instillation process in the cell process can be solved and by using the instilling method, a liquid crystal display can be fabricated with high yield. Accordingly, the application of the instillation process is realized and the cost of liquid crystal display can be further reduced, thereby expanding the market size by replacing CRT.

[0344] Next, a liquid crystal display and a fabrication method thereof according to a twenty-fourth embodiment of the present invention are described with reference to FIG. 91 through FIG. 94. It will be noted that

structuring elements having the same operation functions as the structuring elements in the above embodiments are referred by the same codes and the descriptions are omitted. This embodiment relates to a holding method of a glass substrate in a liquid crystal instilling method  
5 and an object of this embodiment is to simply fabricate a liquid crystal panel at a low cost by holding a substrate on a surface plate in a vacuum.

[0345] In the instilling method, after liquid crystal is dropped on a substrate, an array substrate and an opposite substrate are aligned and attached under a decompressed environment. However, an accurate  
10 alignment of substrates under a decompressed environment is attended by difficulties. Further, an alignment system for aligning substrates is complicated and a equipment tends to be large.

[0346] In this embodiment, protrusions are provided on substrates so that when substrates are attached, an accurate alignment can be easily  
15 accomplished based on the protrusions formed on both substrates. Structures of the substrates in a liquid crystal display according to this embodiment are briefly described with reference to FIG. 91. As shown in FIG. 91, sealing materials 6 and 7 are double-coated on the array substrate 16. A protruding portion 96 having a predetermined height from the  
20 substrate surface is formed in frame shape in the area between the sealing material 6 and the sealing material 7. Further, the liquid crystal 22 is dropped at a plurality of points inside the display area on the array substrate 16 by a liquid crystal instilling equipment which is omitted in the diagram. on the other hand, a frame-shape protruding portion 98 is also  
25 formed on the opposite substrate 4.

[0347] Using FIG. 92 showing a cross section cut at a line A-A of FIG. 91, the protruding portions 96 and 98 are described in more detail. As shown in FIG. 91, the protruding portions 96 and 98 formed between the sealing material 6 and sealing material 7 are formed so that, with respect to the protruding portion 96, the protruding portion 98 is formed inward by a predetermined measurement on the substrate surface. Therefore, when both substrates 4 and 16 are attached after rough alignment, a difference of level of the protruding portion 98 outside of the substrate and a difference of level of the protruding portion 96 inside of the substrate fit together. Accordingly, the two substrates 4 and 16 are accurately attached. It will be noted that sum of the height of both protruding portions 96 and 98 is formed higher than the cell gap of the panel. Further, at least one protruding portion of the protruding portions provided on the two substrates is formed so that an envelope of a wall portion is inclined with respect to the substrate surface.

[0348] The protruding portion 98, for example, is fabricated by patterning three color filter forming materials for forming a color filter on the opposite substrate 4 by photolithography technology and by laminating the three color filter forming materials in a step shape. The protruding portion 96 is fabricated by patterning and laminating resist used in the photolithography process when forming elements such as TFT and the like on the array substrate 16.

[0349] FIG. 93 shows an example of a variation of the protruding portion. As shown in FIG. 93, for example, by forming the protruding portion 96 on the array substrate 16 side into a concave shape and the protruding

portion 98 into a convex shape on the opposite substrate 4 side and then fitting both protruding portions together, accurate alignment can be accomplished. It will be noted that, in this embodiment, the protruding portion 96 is a two-parallel structure, the protruding portion 98 is to be filled between the two parallel structures of the protruding portion 96 and the protruding portions 96 and 98 are continuously provided all around the substrates. However, this not essential and, for example, frame-shape protruding portions may certainly be formed intermittently along the frame. Further, the protruding portions may certainly be provided at four vertical and horizontal positions. In essence, a protruding portion for deciding one position in one direction of the two substrates to be attached and for deciding the other position in an orthogonal direction to the other are required to be provided. Furthermore, the protruding portion 96 shown in FIG. 93 may be formed into a conical shape of an annulus ring and the protruding portion 98 into a conical shape to fit in the protruding portion 96 as a whole, and the plurality of the protruding portions may certainly be formed on the substrates.

[0350] Furthermore, although double sealing materials 6 and 7 are formed in the above embodiment, the sealing material 7 to be formed outside may certainly be different in quality of a material from the sealing material 6 inside. In this case, the sealing material 6 may be of any material as long as the material has a quality which does not substantially change the resistance value of the liquid crystal 22. In order to prevent display irregularities to be generated due to a reduction in voltage retention ratio of the liquid crystal, the use of a material in which variation of the

resistance rate of the liquid crystal 22 is less than 5% is desirable. Also, a material different from the inner sealing material 6 may be used as the outside sealing material 7. It will be noted that, since the double sealing materials 6 and 7 are provided to further closely fix both substrates by  
5 having the structure of the double sealing materials function as a suction cup between the two attached substrates, for example, the structure may certainly be of only the sealing material 6.

[0351] Thus, according to this embodiment, a final alignment in substrate attachment can be decided by the position of the protrusions formed on  
10 the substrates. If a protrusion is formed using photolithography technology, the accuracy of alignment equal to approximately 2  $\mu\text{m}$  can be easily realized. Therefore, an alignment can be easily and accurately accomplished under a decompressed atmosphere and the size of a display can also be kept from being too large, thereby fabricating a liquid  
15 crystal panel which is accurately attached without an increase in a fabrication cost.

[0352] According to this embodiment, a liquid crystal display panel in which the accuracy of alignment is improved can be fabricated at a low cost. Further, even if the sealing materials are formed by heat-curing type  
20 materials and the sealing materials are weakened by a heat-curing treatment, a displacement of the substrates and the like can be prevented.

[0353] FIG. 94 shows a liquid crystal instilling equipment used in this embodiment. A flange-shape liquid crystal scattering prevention member  
101 is installed in the periphery of a liquid crystal dropping hole at front  
25 end of a liquid crystal dispenser portion 350 from which liquid crystal is

dropped. By this liquid crystal scattering prevention member 101, when liquid crystal, for example, is dropped in the substrate surface of the array substrate 16, a splash of the dropped liquid crystal can be prevented from adhering to the sealing materials 6, 7 and the like. By obstructing a splash  
5 of liquid crystal from adhering to the sealing materials 6 and 7, the adhesion strength of the sealing material can be further improved.

[0354] Next, a liquid crystal display according to a twenty-fifth embodiment of the present invention is described with reference to FIG. 72 and FIG. 95 through FIG. 100. This embodiment relates to a fabrication  
10 method of a liquid crystal display according to an instilling method. This embodiment has a distinctive characteristic in that after the substrates are attached by the instilling method and released in an atmosphere, the substrates are left on a stage with a high degree of flatness, and UV irradiation for curing the sealing material is performed under a state in  
15 which the substrates are further attracted on the stage. By attracting and holding the substrates to the stage with a high degree of flatness, the substrate surface copies after the state surface of a high degree of flatness, and steady curing of the sealing materials in which displacement of substrates and distortion are suppressed can be obtained.

20 [0355] Further, if the same stage can be used for substrate mounting stages when releasing in an atmosphere and when irradiating UV, stability against the displacement of substrates can be further increased. If a stage is changed when releasing the substrates in an atmosphere and when irradiating UV to the substrates, by always keeping conveyance and  
25 waiting periods of the substrates constant until UV irradiation is



performed, distortions become stabilized and displacement can be controlled.

[0356] Examples of a fabrication method of a liquid crystal display according to this embodiment is described with below reference to comparative examples and diagrams. Adhesive spacers or column-shape spacers made of resin are formed on one of the array substrate which can take two 15-inch planes performed the alignment-film treatment therein and the CF substrate, and a heat-combination-type UV sealing material is coated on the other. At this time, by surrounding the external periphery of the main seal 306, as shown in FIG. 72, by a dummy seal 72 and forming a vacuum area 74, the substrate displacement between the array substrate 16 and the CF substrate 4 when attaching the substrates and substrate displacement due to vibrations and deflection during the substrate conveyance can always be substantially constant.

[0357] Sequentially, the liquid crystal 22 is dropped on the array substrate 16 and the both substrates are mounted on the stage and attached in the vacuum environment. Although then the substrates are released in an atmosphere, since the area surrounded by the main seal 306 is kept vacuum, when the liquid crystal 22 spreads in the subject area, a gap formation simultaneously begins owing to a pressure difference with the atmospheric pressure.

[0358] At this time, as a comparative example, the panel is first conveyed onto the top of an ordinary desk and the like having a low degree of flatness, then the panel is returned on the released stage in the atmosphere and UV irradiation is performed.

[0359] On the other hand, as an example, after the panel is left on top of the ordinary desk and the like similarly to the comparison example, the panel is returned on the released stage in an atmosphere, the panel is further attracted by an attraction mechanism and UV irradiation is performed.

[0360] FIG. 95 illustrates the result of the above example and comparative example. In FIG. 95, a scale mark represents 1  $\mu\text{m}$  and the solid line with a mark  $\Delta$  on corner portions shows a position for attaching the CF substrate on the array substrate taking two 15-inch planes therein based on the design values. In FIG. 95, the solid line with a mark  $\diamond$  on corner portions shows a displacement of attachment between the array substrate and the CF substrate according to this example. Further, the solid line with a mark - on corner portions shows a displacement of attachment between the array substrate and the CF substrate according to the comparative example. As shown in FIG. 95, while a displacement between the substrates is as small as approximately 2  $\mu\text{m}$  in this example, a displacement between the substrate in the comparative example is more than 5  $\mu\text{m}$  due to a large distortion generated in the panel.

[0361] Next, as an example 2, a panel is mounted on a stage having a degree of flatness equal to  $\pm 50 \mu\text{m}$  and attached in a vacuum, the panel is left attracted on the subject stage after releasing the panel in an atmosphere until a gap is completely created, and the sealing material is cured by UV while the panel is still attracted on the stage. FIG. 96 illustrates the result of the example 2. In FIG. 96, a scale mark represents 1  $\mu\text{m}$ , the solid line with a mark X on corner portions shows a position for

attaching the CF substrate on the array substrate taking two 15-inch planes therein based on the design values. In FIG. 96, the solid line with a mark - on corner portions shows a displacement of attachment between the array substrate and the CF substrate according to this example for the first time. The solid line with a mark ■ on corner portions shows a displacement of attachment between the array substrate and the CF substrate according to this example for the second time. As clear FIG. 96, according to this example, a displacement between the substrates can be less than 2  $\mu\text{m}$  and at the same time the amount of displacement between the substrates can be suppressed to a substantially constant and stable amount.

[0362] On the other hand, as a comparative example 2, a panel is mounted on a stage having a degree of flatness equal to  $\pm 50 \mu\text{m}$  and attached in a vacuum, and the panel is carried out of the stage after releasing the panel in an atmosphere and irradiated by UV on top of a desk. FIG. 97 shows the result of the comparative example 2. In FIG. 97, a scale mark represents 1  $\mu\text{m}$ , the solid line with a mark X on corner portions shows a position for attaching the CF substrate on the array substrate taking two 15-inch planes therein based on the design values. In FIG. 97, the solid lines with marks ■ and ♦ on corner portions show displacements of attachment between the array substrate and the CF substrate according to this comparative example for the first through third times respectively. As clear in FIG. 97, according to the comparative example 2, large displacements between the substrates occur due to the distortions generated in the panels.

[0363] Next, as shown in FIG. 98 as an example 3, taking a distortion of the panel into consideration, the panel is supported by five pins 352 at four corners and substantially the center under the panel for a predetermined period after releasing the panel in an atmosphere. Subsequently, the panel is again mounted on the stage used for attachment and attracted, and performed the sealing-cure by UV irradiation. The result of the example 3 is shown in FIG. 99. In FIG. 99, a scale mark represents 1  $\mu\text{m}$  and the solid line with a mark x on corner portions shows a position for attaching the CF substrate on the array substrate taking two 15-inch planes therein based on the design values. In FIG. 99, the solid line with a mark ■ on corner portions shows the result in which after the panel is supported by the pins 352 for 30 seconds, the panel is mounted on a stage, attracted therein, and cured the seal by UV irradiation. The solid line with a mark A on corner portions shows the result in which after the panel is supported by the pins 352 for 60 seconds, the panel is mounted on a stage, attracted, and cured the seal by UV irradiation. Further, the solid line with a mark ♦ on corner portions shows the result in which the panel is mounted on a stage without being supported by the pins 352, attracted, and cured the seal by UV irradiation. As clear in FIG. 99, distortions vary depending on the period the panel is supported. If the amount of distortion is as small, constant and stable as shown in FIG. 99, a displacement between the substrates can be controlled by correcting the stage apparatus for mounting the panel and the like.

[0364] FIG. 100 shows the result of consecutively fabricating five substrates in which each panel is conveyed by the similar operation to the

above, the period from the time the panel is released in an atmosphere to the time UV irradiation is performed is constant, and the panel is attracted and cured by UV. As clear in FIG. 100, the amount of displacement is contained within a 3  $\mu\text{m}$  square area at four corners of the CF substrate and can be sufficiently controlled by correcting the offset at the attachment even in the mass production process. Further, when an UV lamp generating a UV wavelength of less than 280 nm is used, liquid crystal is degraded and display irregularities reducing the retention ratio are generated. However, by using a filter to cut the UV wavelength less than 280 nm, a panel without display irregularities can be formed.

[0365] Thus, according to this embodiment, by using the instilling method, distortions generated in the glass substrate and a displacement between the two substrates facing each other can be steadily controlled and a stable fabrication process in which display irregularities do not occur and is feasible for mass production can be obtained.

[0366] Next, a fabrication method of a liquid crystal display according to a twenty-sixth embodiment of the present invention is described with reference to FIG. 101 through FIG. 103. This embodiment also relates to a fabrication method of a liquid crystal display according to the instilling method and is particularly ideal for using in a fabrication method of an MVA-type liquid crystal panel. First, a structure of an active matrix-type liquid crystal display fabricated by a fabrication method of a liquid crystal display according to this embodiment is briefly described with reference to FIG. 101. FIG. 101 shows a plane surface of a substrate and equivalent circuits of the pixels viewing the array substrate of a liquid crystal display

from the liquid crystal layer side. As shown in FIG. 101, a plurality of drain bus lines 353 extending vertically in the diagram are formed on the array substrate 16. Further, a plurality of gate bus lines 354 which are orthogonal to the drain bus lines 353 and extend horizontally in the diagram are formed on the array substrate 16. The areas decided by these drain bus lines 353 and gate bus lines 354 are the pixel areas.

[0367] A TFT 356 is formed adjacent to the intersection of the drain bus line 353 and the gate bus line 354 in each pixel area. A drain electrode 358 of the TFT 356 is connected to an adjacent drain bus line 353. A source electrode 360 is connected to a pixel electrode 364 formed in the pixel area. A gate electrode 362 is connected to an adjacent gate bus line 354. Further, a storage capacitor bus line 355 is formed crossing each pixel area.

[0368] Further, one end portion of each gate bus line 354 is electrically connected by a gate bus line bundle wiring 366. The end portion of the gate bus line bundle wiring 366 is pulled out to the end portion of the array substrate 16 and connected to an external connecting terminal 368. Similarly, one end portion of the drain bus line 353 is electrically connected by a drain bus line bundle wiring 370. The end portion of the drain bus line bundle wiring 370 is pulled out as far as to the end portion of the array substrate 16 and connected to an external connecting terminal 372.

[0369] Further, one end portion of the storage capacitor bus line 355 is electrically connected by a storage capacitor bus line bundle wiring 374. Furthermore, a common electrode (not shown in the diagram) formed on

the CF substrate 4 side is also connected to the storage capacitor bus line bundle wiring 374 via a transfer 378. The end portion of the storage capacitor bus line bundle wiring 374 is pulled out to the end portion of the array substrate 16 and connected to an external connecting terminal 376.

5 The external connecting terminals 368, 372 and 376 are adjacent to one another and arranged in a row on the end portion of the array substrate 16 so that a signal from in an inspection device at the time of a panel inspection can be input. Also, the end portion of the external connecting terminals 368, 372, 376 arranged on the array substrate 16 are formed with  
10 a shift from the end portion of the CF substrate 4.

[0370] These bundle wirings 366, 370 and 374 are utilized as common electrodes electrically connecting each bus line 354 in order to protect from static electricity in the fabrication process of the array substrate 16.

The gate bus line bundle wiring 366 and the drain bus line bundle wiring  
15 370 among these bundle wirings 366, 370 and 374 are cut and separated after attaching the array substrate 16 and the CF substrate 4 and performing the panel inspection. On the other hand, the storage capacitor bus line bundle wiring 374 is left alone and functions to supply common electrode potential to the storage capacitor bus line 355.

20 [0371] In a fabrication method of a liquid crystal display, for example, having the process in which liquid crystal is dropped on the array substrate 16, the array substrate 16 and the CF substrate 4 are attached by a sealing material made of photo-curing-type material and the sealing material is irradiated by light and cured, the liquid crystal display panel  
25 shown in FIG. 101 can be obtained by attaching the array substrate 16 and

the CF substrate 4 so that the end portions of both substrates are relatively shifted and by arranging the external connecting terminals 368, 372 and 376 for panel inspection in the shifted area. It will be noted that by varying the sizes of the substrates for the array substrate 16 and the CF substrate 4 beforehand, the external connecting terminals 368, 372 and 376 may also be arranged in an open area created when both substrates are attached.

[0372] Next, an example of a panel inspection is described with reference to FIG. 102 and FIG. 103. The lateral axis in FIG. 102 represents time and the vertical axis represents voltage. FIG. 102 shows each voltage wave when gate voltage ( $V_g$ ) is applied from the external connecting terminal 368, drain voltage ( $V_d$ ) is applied from the external connecting terminal 372 and common voltage ( $V_c$ ) is applied from the external connecting terminal 376. The object of the panel inspection shown in FIG. 102 is to inspect irregularities in cell gap and liquid crystal instillation (uninstillation, leakage, etc.). Therefore, by fixing the common voltage ( $V_c$ ) at 10V and further fixing the gate voltage ( $v_g$ ) at 22V and reversing the drain voltage ( $V_d$ ) at an interval equal to 16.7 ms within a range of plus or minus 1.6 through 5.0V based on the common voltage, display irregularities in the display area are detected. Display irregularities can be detected with the visual observation or automatically a solid image pickup element such as CCD and the like.

[0373] FIG. 103 is a graph showing the variation of transmissivity according to a difference in cell gap. In FIG. 103, the lateral axis indicates the drain voltage  $V_d$  and the vertical axis indicates transmissivity. Further,



a solid curved line in the diagram shows a case when a cell gap is equal to 4.2  $\mu\text{m}$  and a dotted curved line shows a case when a cell gap is equal to 3.8  $\mu\text{m}$ . Therefore, as clear in FIG. 103, by performing the panel inspection described with reference to FIG. 102, a display irregularity in which brightness varies depending on the distribution of a cell gap in the panel display area can be detected.

[0374] When irregularities in liquid crystal instillation or gap creation are found from the panel inspection on described above, the array substrate 16 and the CF substrate 4 can be peeled off and recommitted to a previous process. In a fabrication process of a liquid crystal display using liquid crystal instillation, since cutting of a gang printing mother glass and the like are performed at the end of the process, the array substrate 16 and the CF substrate 4 which are peeled off respectively keeps the same glass size as that in the previous process. In a reproducing treatment, liquid crystal is washed by a solvent such as alcohol, acetone or the like, an alignment film and sealing material are removed from a substrate with a use of ashing, solvent and the like, thereby resuming again from the alignment film printing process.

[0375] As described above, the present invention can be described as follows:

(the first invention)

A liquid crystal display having a sealing material made of a photo-curing type material sealing liquid crystal sandwiched between two substrates comprising:

a blue-colored layer formed at an area of a shading film contacting with

**the sealing material; and**

**a light reactive area for a wavelength of blue color band characterized in the photo-curing type material of the sealing material.**

**[0376] (the second Invention)**

**5 A liquid crystal display provided as set forth in claim 1, wherein the shading film comprises;**

**a shading area overlaying the blue-colored layer transmitting blue light with a red-colored layer to transmit color light and a green-colored layer to transmit green light;**

**10 wherein the red-colored layer, the green-colored layer and the blue-colored layer are respectively made of the same material as a forming material of color filters of red, green and blue formed corresponding to each pixel.**

**[0377] (the third Invention)**

**15 A liquid crystal display comprising:**

**a sealing material made of a photo-curing type material sealing liquid crystal sandwiched between two substrates, wherein at least one of areas of the sealing material contacting with one of the substrates overlaps with a shading film formed on one of the substrates.**

**20 [0378] (the fourth Invention)**

**A liquid crystal display having a sealing material made of a photo-curing type material sealing liquid crystal sandwiched between two substrates comprising:**

**a shading film formed on one of the two substrates;**

**25 a transfer added colored particles, formed at the lower portion of the**

shading film, and electrically connected to the two substrates; and  
a light incident hole opened at the shading film above the transfer.

[0379] (the fifth Invention)

A liquid crystal display comprising:

- 5 two substrates sandwiching liquid crystal and opposing to each other;  
a main seal attaching the two substrates at an external peripheral portion  
of a display area of the substrates;  
a frame-shape structure formed in the area between the main seal and the  
display area; and  
10 a black matrix picture-frame shading an area between the main seal and  
the display area;  
wherein an external peripheral end of the frame-shape structure and an  
external peripheral end of the black matrix picture-frame are formed to be  
coincide with to each other viewing from a perpendicular direction to the  
15 substrates.

[0380] (the sixth Invention)

- A liquid crystal display as set forth in claim 5, wherein the frame-shape  
structure has a height substantially half of that of a spacer arranged in the  
display area, a perpendicular alignment film being formed on at least one  
20 of a surface of the frame-shape structure and an opposing area thereof.

[0381] (the seventh Invention)

A liquid crystal display as set forth in claim 5 comprising:

- a second frame-shape structure formed in an external area from the main  
seal;  
25 wherein both sides of the main seal are surrounded by the frame-shape

structure formed in an area between the main seal and the display area  
main seal and the second frame-shape structure.

[0382] (the eighth Invention)

A liquid crystal display as set forth in claim 7, wherein a part or all of the  
5 second frame-shape structure is formed in the black matrix picture-frame  
and black matrix is not formed on the seal formation area.

[0383] (the ninth Invention)

A liquid crystal display having a sealing material made of a photo-curing  
type material sealing liquid crystal sandwiched between two substrates  
10 comprising a light-reflection layer having a concavo-convex structure  
formed in an area contacting with the sealing materials of at least one of  
the two substrates.

[0384] (the tenth Invention)

A liquid crystal display having a main seal formed in a frame shape  
15 containing a photo-curing type material sealing liquid crystal sandwiched  
between two substrates comprising a interconnecting structure having a  
peeling strength greater than that of the main seal partially arranged  
adjacent to a corner portion of the main seal and in an area being outside  
of the main seal and inside from an end portion of one substrate.

20 [0385] (the eleventh Invention)

A liquid crystal display having a main seal formed in a frame shape  
containing a photo-curing type material sealing liquid crystal sandwiched  
between two substrates comprising a structure having a thickness  
equivalent to a cell gap and a L-shape in accordance with a corner shape  
25 of Black Matrix picture-frame for shading, and arranged adjacent to a

corner portion of the main seal and in an area being inside of the main seal and outside of a display area.

[0386] (the twelfth Invention)

A liquid crystal display having a sealing material made of a photo-curing  
5 type material sealing liquid crystal sandwiched between two substrates  
comprising a light-reflection layer formed in an area contacting with the  
sealing material of the two substrates.

[03787] (the thirteenth Invention)

A liquid crystal display as set forth in claim 12, wherein the light-reflection  
10 layer has a line-and-space pattern and formed with a displacement of  
approximately half pitch between the two substrates.

[0388] (the fourteenth Invention)

A liquid crystal display as set for in claim 12, wherein the light-reflection  
layer of at least one of the two substrates is made of the same material as  
15 a formation material for a bus line.

[0389] (the fifteenth Invention)

A liquid crystal display having a sealing material made of a photo-curing  
type material sealing liquid crystal sandwiched between two substrates  
comprising an alignment film formed adjacent to the sealing material of  
20 the two substrates for perpendicularly aligning the liquid crystal  
molecules.

[0390] (the sixteenth Invention)

A liquid crystal display having a sealing material made of a photo-curing  
type material sealing liquid crystal sandwiched between two substrates  
25 comprising:

two electrodes opposing between the two substrates and provided at an area between pixel display areas and the sealing material.

**[0391] (the seventeenth Invention)**

5 A liquid crystal display sealing liquid crystal by attaching opposing two substrates using a sealing material formed outside of a display area forming a plurality of pixels comprising a plurality of structures formed inside the sealing material for controlling spreading of dropping liquid crystal.

**[0392] (the eighteenth Invention)**

10 A liquid crystal display as set forth in claim 17, wherein the plurality of the structures are distributed on the substrate at a predetermined arrangement density or a predetermined arrangement shape.

**[0393] (the nineteenth Invention)**

15 A liquid crystal display sealing liquid crystal by attaching opposing two substrates using a sealing material formed outside of a display area forming a plurality of pixels comprising a concave shape structure provided in a frame shape inside the sealing material and outside the display area, at least on one of the two substrates.

**[0394] (the twentieth Invention)**

20 A liquid crystal display sealing liquid crystal by attaching opposing two substrates using a sealing material formed outside of a display area forming a plurality of pixels further comprising a hollow frame-shape sealing material formed at an external periphery of the sealing material.

**[0395] (the twenty-first Invention)**

25 A method of fabricating a liquid crystal display having processes of

sealing liquid crystal by attaching two substrates with a sealing material made of a photo-curing type material, and curing the sealing material by irradiating light to the sealing material comprising:

5 using a photo-curing type resin having a light-reactive area to light of a wavelength of blue color band as the photo-curing material; and forming only a colored layer transmitting light of a blue color band at a shading film area contacted by the sealing material when attaching the two substrate.

[0396] (the twenty-second Invention)

10 A method of fabricating a liquid crystal display as set forth in claim 21, wherein the forming step comprises simultaneously forming the colored layer at a formation time of a blue color filter formed on a pixel.

[0397] (the twenty-third Invention)

15 A method of fabricating a liquid crystal display having processes of dropping liquid crystal at a plurality of positions on one of substrates, attaching the one of the substrates with the other substrate via a sealing material made of a photo-curing type material, and curing the sealing material by irradiating light thereon comprising:

20 forming at least a part of a contacting area to the other substrate of the sealing material so as to overlay with a shading film formed on the other substrate; and

curing the sealing material by irradiating light on an area containing a color filter formed on the other substrate.

[0398] (the twenty-fourth Invention)

25 A method of fabricating a liquid crystal display comprising:

forming a main seal by depositing ultraviolet-light-curing resin at an external peripheral portion of a display area of a substrate;

forming a frame-shape structure, which shades ultraviolet light, at an area between the main seal and the display area;

5 sandwiching liquid crystal by attaching the substrate and an opposing substrate; and

curing the main seal by irradiating ultraviolet light from a horizontal or diagonal direction to the substrate surface.

[0399] (the twenty-fifth Invention)

10 A method of fabricating a liquid crystal display as set forth in claim 24 wherein the curing step comprises mounting the substrate on a substrate stage forming a concavo-convex structure, and reflecting ultraviolet light irradiated from the diagonal direction to the main seal with the concavo-convex structure.

15 [0400] (the twenty-sixth Invention)

A method of fabricating a liquid crystal display having processes of dropping liquid crystal at a plurality of positions on one of substrates, attaching the one of the substrates with the other substrate via a sealing material made of a photo-curing type material, and curing the sealing

20 material by irradiating light thereon comprising:

using a polarized light in the curing process.

[0401] (the twenty-seventh Invention)

A method of fabricating a liquid crystal display as set forth in claim 26, wherein the using step comprises making a polarized axis of the light to

25 be coincident with a minor axis of molecules of the liquid crystal.



**[0402] (the twenty-eighth Invention)**

A method of fabricating a liquid crystal display having processes of dropping liquid crystal at a plurality of positions on one of substrates, attaching the one of the substrates with the other substrate via a sealing material made of a photo-curing type material, and curing the sealing material by irradiating light thereon comprising:  
5 irradiating the light after perpendicularly aligning the molecules of the liquid crystal adjacent to the sealing material.

**[0403] (the twenty-ninth Invention)**

10 A method of fabricating a liquid crystal display as set forth in claim 28, wherein the irradiating step comprises perpendicularly aligning the molecules of the liquid crystal having a positive dielectric anisotropy and being at least adjacent to the sealing material by applying a voltage between the substrates.

15 **[0404] (the thirtieth Invention)**

A method of fabricating a liquid crystal display having processes of dropping liquid crystal at a plurality of positions on one of substrates, attaching the one of the substrates with the other substrate via a sealing material made of a photo-curing type material, and curing the sealing material by irradiating light thereon comprising:  
20 including a photo-polymerization-type material in the liquid crystal; and curing the sealing material after curing the liquid crystal by irradiating light thereon.

**[0405] (the thirty-first Invention)**

25 A method of fabricating liquid crystal display having processes of

dropping liquid crystal at a plurality of positions on one of substrates and attaching the one of the substrate with the other substrate comprising: varying dropping amount of the liquid crystal depending on a dropping position.

5 [0406] (the thirty-second Invention)

A method of fabricating liquid crystal display having processes of dropping liquid crystal at a plurality of positions on one of substrates and attaching the one of the substrate with the other substrate comprising: dropping the liquid crystal by combining a plurality of dropping patterns  
10 deciding a dropping position.

[0407] (the thirty-third Invention)

A method of fabricating liquid crystal display having processes of dropping liquid crystal at a plurality of positions on one of substrates and attaching the one of the substrate with the other substrate comprising:  
15 dropping the each liquid crystal at a position the spreading distance of the liquid crystal is equal to that of liquid dropped adjacently.

[0408] (the thirty-fourth Invention)

A method of fabricating a liquid crystal display as set forth in claim 33, wherein the dropping step further comprises dropping the each liquid  
20 crystal having substantially the same amount of liquid crystal, and the dropping step comprises dropping liquid crystal having less amount of the liquid crystal at a position the spreading distance of the liquid crystal is different from that of other liquid crystal dropped.

[0409] (the thirty-fifth Invention)

25 A method of fabricating a liquid crystal display having processes of

dropping liquid crystal at a plurality of positions on one of substrates, attaching the one of the substrates with the other substrate via a sealing material made of a photo-curing type material, and curing the sealing material by irradiating light thereon comprising:

- 5 dropping the liquid crystal so as to overlap more than two kinds of liquid crystals having different component in the same dropping area in the dropping step.

[0410] (the thirty-sixth Invention)

- A method of fabricating a liquid crystal display as set forth in claim 35,  
10 wherein the more than two kinds of liquid crystal having a first liquid crystal with relatively high reliability and a second liquid crystal with lower reliability, the second liquid crystal being dropped on a first liquid crystal dropped on a substrate after dropping the first liquid crystal.

[0411] (the thirty-seventh Invention)

- 15 A method of fabricating a liquid crystal display having processes of dropping liquid crystal at a plurality of positions on one of substrates and returning the substrates to a pressurized state after attaching the one substrate and the other substrate via a sealing material under a pressure reduction comprising:

- 20 forming a structure for controlling spreading of dropping liquid crystal on the substrate.

[0412] (the thirty-eighth Invention)

- A method of fabricating a liquid crystal display as set forth in claim 37,  
wherein the step of forming comprises controlling an arrangement density  
25 or arrangement shape of the structure so that spreading speed of the

dropping liquid crystal is high in the diagonal direction of the sealing material formed in a frame shape.

[0413] (the thirty-ninth Invention)

A method of fabricating liquid crystal display having processes of  
5 dropping liquid crystal at a plurality of positions on one of substrates and attaching the one of the substrate with the other substrate comprising:

reducing a pressure of an atmosphere under a state mechanically retaining at least the one or the other substrate when attaching the both substrates; and

10 switching the retention of the substrate from a mechanical retention to a retention by a electrostatic chuck when reached to a predetermined air pressure.

[0414] (the fortieth Invention)

A method of fabricating liquid crystal display as set forth in claim 39,  
15 wherein the switching step comprises attracting and retaining the substrates at the air pressure less than  $1 \times 10^{-1}$  torr by the electrostatic chuck.

[0415] (the forty-first Invention)

A method of fabricating liquid crystal display as set forth in claim 39  
20 wherein the switching step comprises electrostatically attracting the substrates by applying a voltage of the same polarity for each panel formation area of a plurality of panel formation areas formed on the substrates by the electrostatic chuck.

[0416] (the forty-second Invention)

25 A method of fabricating liquid crystal display as set forth in claim 41,

further comprising a step of forming a conductive path electrically connecting between the plurality of the panel formation areas on the substrates.

**[0417] (the forty-third Invention)**

5 A method of fabricating liquid crystal display as set forth in any of claim 39, further comprising a step of respectively attracting both of the one and the other substrates by the electrostatic chuck, and applying a voltage of the same polarity to opposing areas of the one and the other substrates when attaching the one and the other substrates by opposing to each  
10 other.

**[0418] (the forty-eighth Invention)**

A method of fabricating liquid crystal display as set forth in claim 39, further comprising the steps of forming an electrode of the electrostatic chuck by alternating a positive electrode and negative electrode to be  
15 opposed like a comb shape, and electrostatically attracting the substrate by applying a voltage to the comb shape electrode in a panel formation area formed on the substrate.

**[0419] (the forty-fifth Invention)**

An electrostatic chuck comprising:  
20 an electrode attracting a substrate by applying a voltage having comb shape electrodes opposing by alternating positive and negative comb shape electrodes.

**[0420] (the forty-sixth Invention)**

A method of fabricating a liquid crystal display having processes of  
25 dropping liquid crystal at a plurality of positions on one of substrates,

attaching the one of the substrates with the other substrate via a sealing material made of a photo-curing type material, and curing the sealing material by irradiating light thereon comprising:

fixing the one substrate on the one of a parallel plates, pressing the other  
5 substrate attached to the one substrate by the other of the parallel plates,  
and curing the sealing material by irradiating light thereon.

[0421] (the forty-seventh Invention)

A method of fabricating a liquid crystal display having processes of  
dropping liquid crystal on one of substrates, attaching the one of the  
10 substrates with the other substrate via a sealing material made of a photo-  
curing type material, and curing the sealing material by irradiating light  
thereon comprising:

forming a main seal in periphery of a panel area;

forming a dummy seal like surrounding the main seal at a predetermined  
15 space; and

forming a vacuum area in the space when attaching the substrates, and  
creating a gap of the main seal utilizing a power operating to the vacuum  
area under an atmospheric pressure.

[0422] (the forty-eighth Invention)

20 A method of fabricating a liquid crystal display having processes of  
dropping liquid crystal on one of substrates, and attaching the one of the  
substrates with the other substrate via a sealing material made of a photo-  
curing type material, and curing the sealing material by irradiating light  
thereon comprising:

25 forming a main seal in a periphery of a panel area;

forming a dummy seal like surrounding the main seal at a predetermined space; and

dropping the liquid crystal inside the main seal and in the space.

[0423] (the forty-ninth Invention)

5 A method of fabricating liquid crystal display having processes of dropping liquid crystal on one of substrates and attaching the one of the substrates with the other substrate comprising:

providing a concave shape structure defining a cell thickness inside of frame-shape sealing material formed on a substrate for attaching

10 substrates and outside of a display area;

dropping liquid crystal having the amount sufficient for filling the display area and the amount not sufficient for filling inside of the sealing material;

and

draining a residual liquid crystal overflowing from the display area to a

15 space portion formed between the sealing material and the concave shape structure when attaching the one and the other substrates.

[0424] (the fiftieth Invention)

A method of fabricating liquid crystal display having processes of dropping liquid crystal on one of substrates and attaching the one of the

20 substrates with the other substrate comprising:

forming a frame-shape sealing material on a substrate for attaching substrates in double frame structure;

providing an open portion to flow out liquid crystal to the sealing material inside;

25 dropping liquid crystal having the amount sufficient for filling inside of the

sealing material inside and the amount not sufficient for filling the inside  
of the sealing material outside; and  
draining residual liquid crystal from the open portion to between the  
internal sealing material and the external sealing material when attaching  
5 substrates.

**[0425] (the fifty-first Invention)**

A method of fabricating a liquid crystal display as set forth in claim 50,  
wherein the providing step comprises providing the open portion at a side  
portion not facing to a terminal clamp portion of the sealing material  
10 inside provided on the substrate.

**[0426] (the fifty-second Invention)**

A liquid crystal display having a sealing material made of a photo-curing  
type material sealing liquid crystal sandwiched between two substrates,  
comprising protrusions, for positioning when attaching the two substrates,  
15 formed on the two substrates.

**[0427] (the fifty-third Invention)**

A method of fabricating a liquid crystal display having processes of  
dropping liquid crystal at a plurality of positions on one of substrates,  
attaching the one of the substrates with the other substrate via a sealing  
20 material made of a photo-curing type material, and curing the sealing  
material by irradiating light thereon comprising:

curing the sealing material by irradiating the light after attracting attached  
substrates on a stage mounting substrates when attaching the substrates.

**[0428] (the fifty-fourth Invention)**

25 A method of fabricating a liquid crystal display having processes of



dropping liquid crystal at a plurality of positions on one of substrates, attaching the one of the substrates with the other substrate via a sealing material made of a photo-curing type material, and curing the sealing material by irradiating light thereon comprising:

- 5 attaching both substrates so as to relatively shift end portions of the one and the other substrates; and
- arranging an external connecting terminal for a panel inspection at a shifted area.

[0429] (the fifty-fifth Invention)

- 10 A liquid crystal display as set forth in claim 12, wherein one of the two substrates is an array substrate on which a switching element is formed on a plurality of pixel areas, a transmission area being formed on both sides of the light reflection layer formed on the array substrate and the light reflection layer between the light transmission areas being within 400
- 15  $\mu$ m in width.

[0430] (the fifty-sixth Invention)

- A liquid crystal display as set forth in claim 55, wherein a color filter or a reflection electrode functioning as a mask when irradiating light from a back face of the array substrate to the sealing material are formed on the
- 20 array substrate.

- [0431] As described above, according to the present invention, curing defects of a sealing material in the cell process can be reduced. Further, according to the present invention, peeling of a sealing material in the cell process can be prevented. Furthermore, according to the present
- 25 invention, substrate deformations and display irregularities in the cell

process can be reduced. Also, according to the present invention, variations of a cell gap which may be generated in the cell process can be reduced. Finally, according to the present invention, liquid crystal instillation in the cell process can be steadily performed.

5 [0432] As described above, according to the present invention, even if UV irradiation for curing a sealing material is performed, liquid crystal is not degraded, thereby realizing a liquid crystal display having a display quality with excellent picture using the instilling method.

[0433] Further, according to the present invention, a sealing material made  
10 of a photo-curing-type material can be cured with certainty. Furthermore, according to the present invention, displacements of attached substrates occurred when curing a sealing material can be reduced. Also, according to the present invention, press defects of the substrate at the time of instillation can be improved. Furthermore, according to the present  
15 invention, an enlargement of the external dimensions of a panel at the time of instillation can be suppressed.

[0434] Therefore, according to the present invention, a liquid crystal panel with improved yield can be fabricated by using the instilling method, thereby further reducing the fabrication cost of a liquid crystal display.

20 [0435] As described above, according to the present invention, in a liquid crystal display in which a frame-shape structure and a black matrix picture frame are formed in an area between a main seal and display area, peeling of a sealing material can be prevented, thereby realizing a liquid crystal display in which contamination of liquid crystal due to uncured  
25 sealing material can be prevented.

[0436] Further, according to the present invention, the instilling method of liquid crystal in a fabrication process of an MVA-mode liquid crystal display can be improved, thereby reducing display irregularities. Furthermore, according to the present invention, an inspection of display irregularities can be easily performed.

[0487] Also, according to the present invention, even if an instilling method of liquid crystal is used, an excellent cell gap can be formed. Further, according to the present invention, even if an instilling method is used, generation of displacements of two attached substrates and displacements due to distortions in a substrate and gap irregularities can be prevented.

//

#### BRIEF DESCRIPTION OF THE DRAWINGS

FIG. 1 is diagram showing a schematic structure of a liquid crystal display panel according to a first embodiment of the present invention.

FIG. 2 is a diagram showing a light transmission spectrum of a red-colored layer 28, green-colored layer 26 and blue-colored layer 24 when a film thickness is equal to 1.3 nm.

FIG. 3 is a diagram showing a photo-absorption spectrum ( $\beta$ ) of a photo-curing-type resin of a sealing material 6 according to the first embodiment of the present invention and a blue-color transmission spectrum ( $\gamma$ ) of the blue-colored layer 24 and further showing a photo-absorption spectrum ( $\alpha$ ) of a conventional photo-curing-type resin for comparison.

FIG. 4 is diagram describing an overlap of the sealing material of a liquid

crystal display according to a second embodiment of the present invention and a BM picture-frame portion.

FIG. 5 is diagram showing a comparison example with respect to the liquid crystal display shown in FIGS. 4a and 4b in the second embodiment of the present invention.

FIG. 6 is a diagram describing a relation between the sealing material for corner portions of a liquid crystal display according to the second embodiment of the present invention and a BM picture-frame portion.

FIG. 7 is a diagram showing a comparison example with respect to the liquid crystal display shown in FIG. 6 in the second embodiment of the present invention.

FIGS. 8a and 8b are diagrams describing a relation between a transfer of a liquid crystal display according to a third embodiment of the present invention and a BM picture-frame portion.

FIG. 9 is a diagram showing a comparison example with respect to the liquid crystal display shown in FIGS. 8a and 8b according to the third embodiment of the present invention.

FIGS. 10 is diagram describing a schematic structure of a light source for UV irradiation according to a fourth embodiment of the present invention.

FIG. 11 is a diagram showing a comparison example with respect to the light source for UV irradiation shown in FIGS. 10a and 10b in the fourth embodiment of the present invention.

FIG. 12 is diagram showing a schematic structure of a liquid crystal display according to a fifth embodiment of the present invention.

FIG. 13 is diagram showing a schematic structure relative to an example of

a variation of the liquid crystal display according to the fifth embodiment of the present invention.

FIG. 14 is diagram showing a schematic structure relative to an example of an other variation of the liquid crystal display according to the fifth  
5 embodiment of the present invention.

FIG. 15 is a diagram showing a UV spectrum of Comparison Example E and Example G in the liquid crystal display according to the fifth embodiment of the present invention.

FIG. 16 is a diagram describing a creation of a gap adjacent to a frame-  
10 shape structure 12 by pressuring the frame-shape structure 12 by a pressure P before a liquid crystal boundary 23 of a liquid crystal 22 reaches the frame-shape structure 12 in the liquid crystal display according to the fifth embodiment of the present invention.

FIG. 17 is a diagram showing Example 1 in a liquid crystal display and a  
15 fabrication method thereof according to a sixth embodiment of the present invention.

FIG. 18 is diagram showing Example 2 in the liquid crystal display and the fabrication method of the liquid crystal display according to the sixth embodiment of the present invention.

20 FIG. 19 is a diagram showing Example 3 in the liquid crystal display and the fabrication method of the liquid crystal display according to the sixth embodiment of the present invention.

FIG. 20 is diagram showing Example 4 in the liquid crystal display and the fabrication method of the liquid crystal display according to the sixth  
25 embodiment of the present invention.

**FIG. 2 is diagram showing Example 5 in the liquid crystal display and the fabrication method of the liquid crystal display according to the sixth embodiment of the present invention.**

**FIGS. 22 is diagram showing Example 6 in the liquid crystal display and the fabrication method of the liquid crystal display according to the sixth**  
5 **embodiment of the present invention.**

**FIG. 23 is a diagram showing Example 7 in the liquid crystal display and the fabrication method of the liquid crystal display according to the sixth embodiment of the present invention.**

10 **FIG. 24 is a diagram showing Example 8 in the liquid crystal display and the fabrication method of the liquid crystal display according to the sixth embodiment of the present invention.**

**FIG. 25 is diagram describing a problem in the past in a seventh embodiment of the present invention.**

15 **FIG. 26 is a diagram describing other problem in the past in the seventh embodiment of the present invention.**

**FIG. 27 is diagram showing Example 1 in a liquid crystal display and a fabrication method thereof according to the seventh embodiment of the present invention.**

20 **FIG. 28 is a diagram showing Example 2 in the liquid crystal display and the fabrication method of the liquid crystal display according to the seventh embodiment of the present invention.**

**FIG. 29 is diagram showing Example 3 in the liquid crystal display and the fabrication method of the liquid crystal display according to the seventh**  
25 **embodiment of the present invention.**

**FIG. 30 is diagram showing Example 4 in the liquid crystal display and the fabrication method of the liquid crystal display according to the seventh embodiment of the present invention.**

**FIG. 31 is diagram showing Example 5 in the liquid crystal display and the fabrication method of the liquid crystal display according to the seventh**  
5 **embodiment of the present invention.**

**FIG. 32 is diagram showing a schematic structure of a liquid crystal display according to an eighth embodiment of the present invention.**

**FIG. 33 is diagram showing a structure of a light reflection layer provided**  
10 **in the liquid crystal display according to the eighth embodiment of the present invention.**

**FIG. 34 is a diagram showing a structure of a light reflection layer provided in a reflection-type liquid crystal display as an example of a variation of the eighth embodiment of the present invention.**

15 **FIG. 35 is a diagram describing an example of an irradiation method of UV light according to the eighth embodiment of the present invention.**

**FIG. 36 is a diagram showing a partial horizontal cross section of an end portion of a liquid crystal display according to a ninth embodiment of the present invention.**

20 **FIG. 37 is a diagram showing characteristics of two kinds of liquid crystal materials (A) and (B).**

**FIG. 38 is diagram describing a direction of a polarizing axis 46 in irradiation of a polarized UV according to the ninth embodiment of the present invention.**

25 **FIG. 39 is diagram describing the direction of the polarizing axis 46 in**

irradiation of the polarized UV according to the ninth embodiment of the present invention.

FIG. 40 is a diagram of a partial horizontal cross section of an end portion of a liquid crystal display according to a tenth embodiment of the present invention and showing a state in which a liquid crystal 22 of negative dielectric anisotropy is instilled and vertically aligned by a vertical alignment film.

FIG. 41 is diagram of a partial horizontal cross section of the end portion of a liquid crystal display according to the tenth embodiment of the present invention and showing a state in which a liquid crystal 22 of positive dielectric anisotropy is instilled and vertically aligned by the vertical alignment film.

FIG. 42 is diagram of a partial horizontal cross section of the end portion of the liquid crystal display according to the tenth embodiment of the present invention and showing a state in which the liquid crystal 22 of positive dielectric anisotropy is instilled and vertically aligned by applying voltage to the liquid crystal 22.

FIG. 43 is diagram describing Example 4 in a liquid crystal display according to an eleventh embodiment of the present invention.

FIG. 44 is a diagram describing Example 4 in the liquid crystal display according to the eleventh embodiment of the present invention.

FIG. 45 is a diagram describing Example 4 in the liquid crystal display according to the eleventh embodiment of the present invention.

FIG. 46 is a diagram describing Example 4 in the liquid crystal display according to the eleventh embodiment of the present invention.



**FIG. 47 is diagram describing Example 5 in the liquid crystal display according to the eleventh embodiment of the present invention.**

**FIG. 48 is a diagram describing Example 5 in the liquid crystal display according to the eleventh embodiment of the present invention.**

**5 FIG. 49 is a diagram describing Example 6 in the liquid crystal display according to the eleventh embodiment of the present invention.**

**FIG. 50 is a diagram describing Example 7 in the liquid crystal display according to the eleventh embodiment of the present invention.**

**10 FIG. 51 is a diagram describing an example 8 in the liquid crystal display according to the eleventh embodiment of the present invention.**

**FIG. 52 is a diagram describing Example 8 in the liquid crystal display according to the eleventh embodiment of the present invention.**

**FIG. 53 is a diagram describing Example 8 in the liquid crystal display according to the eleventh embodiment of the present invention.**

**15 FIG. 54 is a diagram describing Example 9 in the liquid crystal display according to the eleventh embodiment of the present invention.**

**FIG. 55 is a diagram describing Example 10 in the liquid crystal display according to the eleventh embodiment of the present invention.**

**20 FIG. 56 is diagram showing an instillation of liquid crystal in a cell process of a liquid crystal panel according to a twelfth embodiment of the present invention.**

**FIG. 57 is a diagram briefly describing an instillation in a fabrication method of a liquid crystal display according to a thirteenth embodiment of the present invention.**

**25 FIG. 58 is a diagram briefly describing the instillation in the fabrication**

method of the liquid crystal display according to the thirteenth embodiment of the present invention.

FIG. 59 is a diagram briefly describing the instillation in the fabrication method of the liquid crystal display according to the thirteenth  
5 embodiment of the present invention.

FIG. 60 is a diagram showing an upper surface of a substrate 30 where liquid crystal is dropped in the fabrication method of the liquid crystal display according to the thirteenth embodiment of the present invention.

FIG. 61 is a diagram describing a dispersion state of,dropped liquid crystal  
10 in a fourteenth embodiment of the present invention.

FIG. 62 is a diagram showing a pixel formed in a liquid crystal display panel and a dispersion state of the liquid crystal which is dropped in the pixel formed in the liquid crystal display panel in the fourteenth embodiment of the present invention.

15 FIG. 63 is a diagram showing a state in which an outline shape of a front end portion of dispersing liquid crystal is controlled to be substantially a similar shape to a shape of a main seal 6 in the liquid crystal display according to the fourteenth embodiment of the present invention.

FIG. 64 is a diagram showing a structure 29 for determining a cell gap in  
20 the liquid crystal display according to the fourteenth embodiment of the present invention.

FIG. 65 is a diagram showing structures 28a and 28b for controlling liquid crystal dispersion in the liquid crystal display according to the fourteenth embodiment of the present invention.

25 FIG. 66 is a diagram showing an example of arrangement of the structures

28a, 28b and 29 in the liquid crystal display according to the fourteenth embodiment of the present invention.

FIG. 67 is diagram describing liquid crystal instillation, a substrate attaching process and a substrate holding operation in the substrate attaching process in a liquid crystal display according to a fifteenth embodiment of the present invention.

FIG. 68 is diagram describing substrate attachment with a use of electrostatic chucks in a liquid crystal display according to a sixteenth embodiment of the present invention.

10 FIG. 69 is diagram describing substrate attachment with a use of electrostatic chucks in a liquid crystal display according to a seventeenth embodiment of the present invention.

FIG. 70 is diagram showing a comparison between a photo-curing process in an instillation according to an eighteenth embodiment of the present invention and a photo-curing process in a conventional instillation.

FIG. 71 is a diagram showing a schematic structure of a substrate attachment equipment according to the eighteenth embodiment of the present invention.

FIG. 72 is a diagram briefly describing a fabrication method of a liquid crystal display according to a nineteenth embodiment of the present invention.

FIG. 73 is a diagram briefly describing the fabrication method of the liquid crystal display according to the nineteenth embodiment of the present invention.

25 FIG. 74 is a diagram briefly describing the fabrication method of the liquid

crystal display according to the nineteenth embodiment of the present invention.

FIG. 75 is a diagram briefly describing the fabrication method of the liquid crystal display according to the nineteenth embodiment of the present invention.

FIG. 76 is a diagram briefly describing the fabrication method of the liquid crystal display according to the nineteenth embodiment of the present invention.

FIG. 77 is diagram briefly describing the fabrication method of the liquid crystal display according to the nineteenth embodiment of the present invention.

FIG. 78 is a diagram briefly describing the fabrication method of the liquid crystal display according to the nineteenth embodiment of the present invention.

FIG. 79 is a diagram showing a fabrication method of a liquid crystal display according to a twentieth embodiment of the present invention.

FIG. 80 is a diagram showing the fabrication method of the liquid crystal display according to the twentieth embodiment of the present invention.

FIG. 81 is a diagram showing the fabrication method of the liquid crystal display according to the twentieth embodiment of the present invention.

FIG. 82 is diagram showing the fabrication method of the liquid crystal display according to the twentieth embodiment of the present invention.

FIG. 83 is a diagram showing the fabrication method of the liquid crystal display according to the twentieth embodiment of the present invention.

FIG. 84 is a diagram showing the fabrication method of the liquid crystal

display according to the twentieth embodiment of the present invention.

FIG. 85 is a diagram showing the fabrication method of the liquid crystal display according to the twentieth embodiment of the present invention.

FIG. 86 is a diagram showing the fabrication method of the liquid crystal display according to the twentieth embodiment of the present invention.

FIG. 87 is a diagram showing the fabrication method of the liquid crystal display according to the twentieth embodiment of the present invention.

FIG. 88 is diagram describing substrate attachment in a liquid crystal display according to a twenty-first embodiment of the present invention.

FIG. 89 is a diagram describing substrate attachment in a liquid crystal display according to a twenty-second embodiment of the present invention.

FIG. 90 is diagram describing a liquid crystal display and a fabrication method thereof according to a twenty-third embodiment of the present invention.

FIG. 91 is a diagram showing a schematic structure of a substrate of a liquid crystal display according to a twenty-fourth embodiment of the present invention.

FIG. 92 is a diagram describing protruding portions 96 and 98 of the liquid crystal display according to the twenty-fourth embodiment of the present invention.

FIG. 93 is a diagram describing an example of a variation of the protruding portions 96 and 98 of the liquid crystal display according to the twenty-fourth embodiment of the present invention.

FIG. 94 is a diagram showing a liquid crystal instilling equipment used to

fabricate the liquid crystal display according to the twenty-fourth embodiment of the present invention.

FIG. 95 is a diagram showing the results of Example 1 in a fabrication method of a liquid crystal display according to a twenty-fifth embodiment  
5 of the present invention and a comparison example.

FIG. 96 is a diagram showing the result of Example 2 in the fabrication method of the liquid crystal display according to the twenty-fifth embodiment of the present invention.

FIG. 97 is a diagram showing the result of Example 2 in the fabrication  
10 method of the liquid crystal display according to the twenty-fifth embodiment of the present invention.

FIG. 98 is a diagram showing a pin 90 used in the fabrication method of the liquid crystal display according to the twenty-fifth embodiment of the present invention.

15 FIG. 99 is a diagram showing the result of Example 3 in the fabrication method of the liquid crystal display according to the twenty-fifth embodiment of the present invention.

FIG. 100 is a diagram showing the result of the examples in the fabrication method of the liquid crystal display according to the twenty-fifth  
20 embodiment of the present invention.

FIG. 101 is a diagram showing a schematic structure of an active matrix-type liquid crystal display fabricated by a fabrication method of a liquid crystal display according to a twenty-sixth embodiment of the present invention.

25 FIG. 102 is a diagram showing an example of a panel inspection in the

fabrication method of the liquid crystal display according to the twenty-sixth embodiment of the present invention.

FIG. 103 is a diagram showing the example of the panel inspection in the fabrication method of the liquid crystal display according to the twenty-  
5 sixth embodiment of the present invention.

FIG. 104 is a diagram showing a schematic structure of a conventional liquid crystal display panel.

FIG. 105 is a diagram showing a liquid crystal instillation in a cell process of the conventional liquid crystal panel.

10 FIG. 106 is diagram describing substrate attachment by conventional electrostatic chucks.

FIG. 107 is diagram showing irregularities of a cell gap in the conventional liquid crystal panel.

FIG. 108 is diagram describing a fabrication process of a liquid crystal  
15 display panel according to an instilling method.

FIG. 109 is a diagram showing a partial horizontal cross section of an end portion of the conventional liquid crystal display panel.

FIG. 110 is diagram showing a schematic structure of a conventional liquid crystal display.

20 FIG. 111 is a diagram describing a problem in a fabrication method of the conventional liquid crystal display.

FIG. 112 is a diagram describing the problem in the fabrication method of the conventional liquid crystal display.

FIG. 113 is a diagram describing the problem in the fabrication method of  
25 the conventional liquid crystal display.

**FIG. 114 is diagram describing the problem in the fabrication method of the conventional liquid crystal display.**

5

**(Description of the Reference Numerals in the Drawings)**

- 10    **1, 1100 Liquid crystal display panel**
- 2, 1102 Terminal portion**
- 4, 1104 CF (color filter) substrate**
- 6, 1106 Sealing material (Maine seal)**
- 8, 1108 BM (black matrix) frame section**
- 15    **10 1110 display area**
- 12 Frame-shaped Structure**
- 13 1112 TFT (thin film transistor)**
- 14 1114 Pixel areas**
- 15 Spacer**
- 20    **16 1116 Array substrate (TFT substrate)**
- 18 1118 BM**
- 20 Field**
- 22 Liquid crystal**
- 24 Blue-colored Layer**



- 26 Green-colored Layer**
- 28 Red-colored Layer**
- 30 32 Light**
- 42 Resin Filler**
- 5 44 Au Layer**
- 58,272,274,276,278 Electrode**
- 66 Transfer**
- 98 Protruding portion**
- 182 Liquid Crystal Molecule**
- 10 234 Transfer Pad**
- 314 Bank Material**
- 352 Pin**

(19) 日本国特許庁 (J P)

(12) 公開特許公報 (A)

(11) 特許出願公開番号

特開2001-222017

(P2001-222017A)

(43) 公開日 平成13年8月17日 (2001.8.17)

(51) Int.Cl. <sup>7</sup>	識別記号	F I	テマコード (参考)
G 0 2 F 1/1339	5 0 5	G 0 2 F 1/1339	5 0 5 2 H 0 8 8
1/13	1 0 1	1/13	1 0 1 2 H 0 8 9
1/1335	5 0 0	1/1335	5 0 0 2 H 0 9 1
	5 0 5		5 0 5 5 C 0 9 4
	5 2 0		5 2 0

審査請求 未請求 請求項の数40 O L (全 74 頁) 最終頁に続く

(21) 出願番号 特願2000-84397(P2000-84397)

(22) 出願日 平成12年3月24日 (2000.3.24)

(31) 優先権主張番号 特願平11-142628

(32) 優先日 平成11年5月24日 (1999.5.24)

(33) 優先権主張国 日本 (J P)

(31) 優先権主張番号 特願平11-263845

(32) 優先日 平成11年9月17日 (1999.9.17)

(33) 優先権主張国 日本 (J P)

(31) 優先権主張番号 特願平11-340826

(32) 優先日 平成11年11月30日 (1999.11.30)

(33) 優先権主張国 日本 (J P)

(71) 出願人 000005223

富士通株式会社

神奈川県川崎市中原区上小田中4丁目1番1号

(72) 発明者 田代 国広

神奈川県川崎市中原区上小田中4丁目1番1号 富士通株式会社内

(72) 発明者 吉見 琢也

神奈川県川崎市中原区上小田中4丁目1番1号 富士通株式会社内

(74) 代理人 100101214

弁理士 森岡 正樹

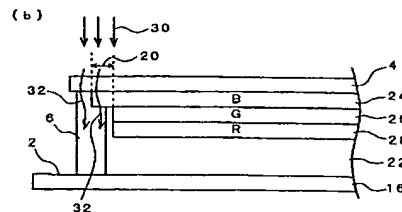
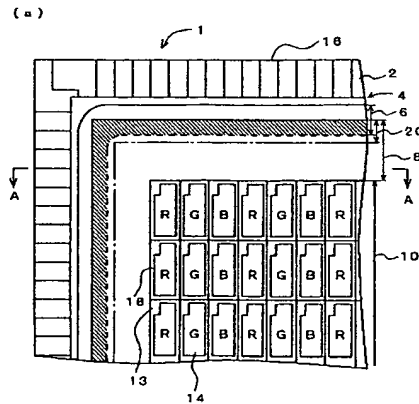
最終頁に続く

(54) 【発明の名称】 液晶表示装置及びその製造方法

(57) 【要約】

【課題】本発明は、セル工程で基板間に液晶を封入する際に用いる滴下注入プロセスを確実に実行する液晶表示装置及びその製造方法を提供することを目的とする。

【解決手段】2つの基板4、16間に挟まれた液晶22を封止する光硬化性材料からなるシール剤6と、赤色光を透過させる赤色着色層28と、緑色光を透過させる緑色着色層26と、青色光を透過させる青色着色層24とを重ね合わせた遮光領域を有する遮光膜8とを備えた液晶表示装置において、シール剤6と接触する遮光膜8の領域には青色着色層24のみが形成され、シール剤6の光硬化性材料は青色帯域の波長に光反応域を有するように構成する。



【特許請求の範囲】

【請求項1】2つの基板間に挟まれた液晶を封止する光硬化性材料からなるシール剤を備えた液晶表示装置において、

前記シール剤と接触する遮光膜の領域には青色着色層が形成され、

前記シール剤の光硬化性材料は、青色帯域の波長の光に光反応域を有していることを特徴とする液晶表示装置。

【請求項2】2つの基板間に挟まれた液晶を封止する光硬化性材料からなるシール剤を備えた液晶表示装置において、

前記シール剤は、前記2つの基板のうちの一方との接触領域の少なくとも一部が前記一方の基板に形成された遮光膜と重なり合っていることを特徴とする液晶表示装置。

【請求項3】2つの基板間に挟まれた液晶を封止する光硬化性材料からなるシール剤を備えた液晶表示装置において、

前記2つの基板のいずれかに形成された遮光膜と、着色粒子が添加されて前記遮光膜下方に形成され、前記2つの基板を電気的に接続するトランスファと、前記トランスファ上方の前記遮光膜に開口された光入射孔とを備えたことを特徴とする液晶表示装置。

【請求項4】液晶を挟持して対向する2枚の基板と、前記基板の表示領域の外側周辺部で前記2枚の基板を貼り合わせるメインシールと、前記メインシールと前記表示領域との間の領域に形成された枠状構造物と、

前記メインシールと前記表示領域との間の領域を遮光するブラックマトリクス額縁とを有し、前記枠状構造物の外周端と前記ブラックマトリクス額縁の外周端とは、前記基板面に垂直な方向から見てほぼ一致するように形成されていることを特徴とする液晶表示装置。

【請求項5】請求項4記載の液晶表示装置において、前記メインシールより外側の領域に形成された第2の枠状構造物を有し、前記メインシールと前記表示領域との間の領域に形成された前記枠状構造物と、前記第2の枠状構造物とで前記メインシールの両側を囲うことを特徴とする液晶表示装置。

【請求項6】2つの基板間に挟まれた液晶を封止する光硬化性材料からなるシール剤を備えた液晶表示装置において、前記2つの基板の少なくとも一方の前記シール剤と接触する領域に凹凸構造を有する光反射層が形成されていることを特徴とする液晶表示装置。

【請求項7】2つの基板間に挟まれた液晶を封止する光硬化性材料を含む枠状に形成されたメインシールを備えた液晶表示装置において、

前記メインシールの角部に隣接し、前記メインシール外側で且つ一方の基板の端部より内側となる領域に前記メインシール以上の剥離強度を有する接合物を部分的に配置することを特徴とする液晶表示装置。

【請求項8】2つの基板間に挟まれた液晶を封止する光硬化性材料を含む枠状に形成されたメインシールを備えた液晶表示装置において、

前記メインシールの角部に隣接し、前記メインシール内側かつ表示領域外側となる領域に、セルギャップ相当の厚さを有し遮光用BM額縁の角部形状に準じたL字型の形状を有する構造物を配置することを特徴とする液晶表示装置。

【請求項9】2つの基板間に挟まれた液晶を封止する光硬化性材料からなるシール剤を備えた液晶表示装置において、

前記2つの基板の前記シール剤と接触する領域に光反射層が形成されていることを特徴とする液晶表示装置。

【請求項10】請求項9記載の液晶表示装置において、前記2つの基板のうち少なくとも一方の前記光反射層は、バスライン形成材料と同一の材料で形成されていることを特徴とする液晶表示装置。

【請求項11】2つの基板間に挟まれた液晶を封止する光硬化性材料からなるシール剤を備えた液晶表示装置において、

前記2つの基板の前記シール剤近傍に前記液晶を垂直配向させる配向膜が形成されていることを特徴とする液晶表示装置。

【請求項12】2つの基板間に挟まれた液晶を封止する光硬化性材料からなるシール剤を備えた液晶表示装置において、

前記2つの基板の画像表示領域と前記シール剤との間で対向する2つの電極を備えていることを特徴とする液晶表示装置。

【請求項13】複数の画素が形成された表示領域の外側に枠状に形成されたシール剤で、対向する2つの基板を貼り合わせて液晶を封止した液晶表示装置において、前記シール剤内方に滴下液晶の拡散を制御する複数の構造物が形成されていることを特徴とする液晶表示装置。

【請求項14】複数の画素が形成された表示領域の外側に枠状に形成されたシール剤で、対向する2つの基板を貼り合わせて液晶を封止した液晶表示装置において、前記2つの基板の少なくとも一方に、前記シール剤内方且つ前記表示領域の外側に枠状に設けられた凸状構造物を有することを特徴とする液晶表示装置。

【請求項15】複数の画素が形成された表示領域の外側に枠状に形成されたシール剤で、対向する2つの基板を貼り合わせて液晶を封止した液晶表示装置において、前記シール剤の外側周囲に、中空枠状のシール剤がさらに形成されていることを特徴とする液晶表示装置。

【請求項16】光硬化性材料のシール剤で2つの基板を

貼り合わせて液晶を封止し、前記シール剤に光を照射して硬化させて前記2つの基板を固定する液晶表示装置の製造方法において、

前記光硬化性材料として、青色帯域の波長の光に光反応域を有する光硬化性樹脂を用い、

前記2つの基板を貼り合わせた際に前記シール剤が接触する遮光膜の領域には青色帯域の光を透過させる着色層のみを形成することを特徴とする液晶表示装置の製造方法。

【請求項17】一方の基板上の複数箇所液晶を滴下してから、光硬化性材料からなるシール剤を介して前記一方の基板と他方の基板とを貼り合わせ、前記シール剤に光を照射して硬化させる工程を有する液晶表示装置の製造方法において、

前記シール剤の前記他方の基板との接触領域の少なくとも一部が前記他方の基板上に形成された遮光膜と重なり合うように形成し、

前記他方の基板に形成されたカラーフィルタを含む領域に光を照射して前記シール剤を硬化させることを特徴とする液晶表示装置の製造方法。

【請求項18】基板の表示領域の外側周辺部に紫外線硬化樹脂を塗布してメインシールを形成し、

前記メインシールと前記表示領域との間の領域に、紫外線をほぼ透過しない材質の枠状構造物を形成し、

前記基板と対向基板とで液晶を挟持して貼り合わせ、前記基板面に対して水平若しくは斜め方向から紫外線を照射して、前記メインシールを硬化させることを特徴とする液晶表示装置の製造方法。

【請求項19】一方の基板上の複数箇所液晶を滴下してから、光硬化性材料からなるシール剤を介して前記一方の基板と他方の基板とを貼り合わせ、前記シール剤に光を照射して硬化させる工程を有する液晶表示装置の製造方法において、

前記光は、偏光光を用いることを特徴とする液晶表示装置の製造方法。

【請求項20】一方の基板上の複数箇所液晶を滴下してから、光硬化性材料からなるシール剤を介して前記一方の基板と他方の基板とを貼り合わせ、前記シール剤に光を照射して硬化させる工程を有する液晶表示装置の製造方法において、

前記シール剤近傍の前記液晶の分子を垂直配向させて前記光を照射することを特徴とする液晶表示装置の製造方法。

【請求項21】一方の基板上の複数箇所液晶を滴下してから、光硬化性材料からなるシール剤を介して前記一方の基板と他方の基板とを貼り合わせ、前記シール剤に光を照射して硬化させる工程を有する液晶表示装置の製造方法において、

前記液晶は光重合性材料を含み、前記液晶に光を照射して硬化させた後、前記シール剤を

硬化することを特徴とする液晶表示装置の製造方法。

【請求項22】一方の基板上の複数箇所液晶を滴下してから他方の基板と貼り合わせる工程を有する液晶表示装置の製造方法において、

前記液晶の滴下量を滴下箇所により変化させることを特徴とする液晶表示装置の製造方法。

【請求項23】一方の基板上の複数箇所液晶を滴下してから他方の基板と貼り合わせる工程を有する液晶表示装置の製造方法において、

滴下位置を決める複数の滴下パターンを組み合わせる前記液晶を滴下することを特徴とする液晶表示装置の製造方法。

【請求項24】一方の基板上の複数箇所液晶を滴下してから他方の基板と貼り合わせる工程を有する液晶表示装置の製造方法において、

隣接して滴下された液晶との液晶拡散距離がほぼ等しくなる位置に前記各液晶を滴下することを特徴とする液晶表示装置の製造方法。

【請求項25】請求項24記載の液晶表示装置の製造方法において、

前記各液晶は、ほぼ同量の液晶量で滴下され、さらに、前記液晶拡散距離が等しくない位置に前記液晶量以下の量を有する液晶を滴下することを特徴とする液晶表示装置の製造方法。

【請求項26】一方の基板上に液晶滴下を行い、光硬化性材料からなるシール剤を介して前記一方の基板と他方の基板とを貼り合わせ、前記シール剤に光を照射して硬化させる工程を有する液晶表示装置の製造方法において、

前記液晶滴下は、成分が異なる2種以上の液晶を同一滴下領域内に重ねて滴下することを特徴とする液晶表示装置の製造方法。

【請求項27】請求項26記載の液晶表示装置の製造方法において、

前記2種以上の液晶は、信頼性の相対的に高い第1の液晶とそれより信頼性の低い第2の液晶とを少なくとも有し、

前記第1の液晶を滴下した後、基板上に滴下された前記第1の液晶上に前記第2の液晶を滴下することを特徴とする液晶表示装置の製造方法。

【請求項28】一方の基板上の複数箇所液晶を滴下し、減圧下でシール剤を介して他方の基板と貼り合わせてから加圧状態に戻す工程を有する液晶表示装置の製造方法において、

前記基板上に滴下液晶の拡散を制御する構造物を形成することを特徴とする液晶表示装置の製造方法。

【請求項29】請求項28記載の液晶表示装置の製造方法において、

枠状に形成された前記シール剤の対角線方向に前記滴下液晶の拡散速度が高くなるように前記構造物の配置密度

あるいは配置形状を制御することを特徴とする液晶表示装置の製造方法。

【請求項30】一方の基板上に液晶を滴下してから他方の基板と貼り合わせる工程を有する液晶表示装置の製造方法において、

前記両基板の貼り合わせの際、前記一又は他方の基板の少なくともいずれかを機械的に保持した状態で雰囲気減圧し、

所定の気圧になったら前記基板の保持を機械的保持から静電チャックによる保持に切り替えることを特徴とする液晶表示装置の製造方法。

【請求項31】請求項30記載の液晶表示装置の製造方法において、

前記静電チャックは、前記基板上に形成された複数のパネル形成領域の当該パネル形成領域毎に同極性の電圧を印加して前記基板を静電吸着することを特徴とする液晶表示装置の製造方法。

【請求項32】一方の基板上の複数箇所に液晶を滴下してから、光硬化性材料からなるシール剤を介して前記一方の基板と他方の基板とを貼り合わせ、前記シール剤に光を照射して硬化させる工程を有する液晶表示装置の製造方法において、

前記一方の基板を平行平板上に固定し、前記一方の基板に貼り合わせた前記他方の基板を押圧しつつ、前記シール剤に光を照射して硬化させることを特徴とする液晶表示装置の製造方法。

【請求項33】一方の基板上に液晶滴下を行い、光硬化性材料からなるシール剤を介して前記一方の基板と他方の基板とを貼り合わせ、前記シール剤に光を照射して硬化させる工程を有する液晶表示装置の製造方法において、

パネル領域周囲にメインシールを形成し、前記メインシールを所定の空隙で囲むようにダミーシールを形成し、前記基板を貼り合わせる際に前記空隙に真空領域を形成し、大気圧の元で前記真空領域に作用する力を利用して前記メインシールのギャップ出しを行うことを特徴とする液晶表示装置の製造方法。

【請求項34】一方の基板上に液晶滴下を行い、光硬化性材料からなるシール剤を介して前記一方の基板と他方の基板とを貼り合わせ、前記シール剤に光を照射して硬化させる工程を有する液晶表示装置の製造方法において、

パネル領域周囲にメインシールを形成し、前記メインシールを所定の空隙で囲むように第1ダミーシールを形成し、

前記メインシール内方と、前記空隙に前記液晶を滴下することを特徴とする液晶表示装置の製造方法。

【請求項35】一方の基板上に液晶を滴下してから他方の基板と貼り合わせる工程を有する液晶表示装置の製造方法において、

基板貼り合わせ用に基板上に形成された棒状のシール剤の内方且つ表示領域の外側にセル厚を規定する凸状構造物を棒状に設け、

前記表示領域を満たす量以上であって、且つ前記シール剤内方を満たさない量の液晶を滴下し、

前記一方及び他方の基板を貼り合わせる際、前記表示領域から溢れる余剰液晶を前記シール剤と前記凸状構造物との間に形成される間隙部に排出することを特徴とする液晶表示装置の製造方法。

【請求項36】一方の基板上に液晶を滴下してから他方の基板と貼り合わせる工程を有する液晶表示装置の製造方法において、

基板貼り合わせ用に基板上に形成する棒状のシール剤を二重棒構造に形成し、内方の前記シール剤に液晶を流出させる開放部を設け、

前記内方のシール剤の内方を満たす量以上であって、且つ外方の前記シール剤の内方を満たさない量の液晶を滴下し、

基板貼り合わせ時の余剰液晶を前記開放部から前記内方のシール剤と前記外方のシール剤との間に排出させることを特徴とする液晶表示装置の製造方法。

【請求項37】2つの基板間に挟まれた液晶を封止する光硬化性材料からなるシール剤を備えた液晶表示装置において、

前記2つの基板を貼り合わせる際の位置決め用の突起物が、前記2つの基板上に形成されていることを特徴とする液晶表示装置。

【請求項38】一方の基板上に液晶滴下を行い、光硬化性材料からなるシール剤を介して前記一方の基板と他方の基板とを貼り合わせ、前記シール剤に光を照射して硬化させる工程を有する液晶表示装置の製造方法において、

基板貼り合わせ時に前記基板を載置したステージ上に貼り合わせ済の基板を吸着して前記光を照射し前記シール剤を硬化させることを特徴とする液晶表示装置の製造方法。

【請求項39】一方の基板上に液晶滴下を行い、光硬化性材料からなるシール剤を介して前記一方の基板と他方の基板とを貼り合わせ、前記シール剤に光を照射して硬化させる工程を有する液晶表示装置の製造方法において、

前記一方及び他方の基板端部が相対的にずれるように両基板を貼り合わせ、ずれた領域にパネル検査用の外部接続端子を配置することを特徴とする液晶表示装置の製造方法。

【請求項40】請求項9記載の液晶表示装置において、前記2つの基板の一方は、複数の画素領域にスイッチング素子が形成されたアレイ基板であり、

前記アレイ基板に形成された前記光反射層の両側部には光透過領域が形成され、前記光透過領域間の前記光反射

層の幅は概ね400 $\mu$ mであることを特徴とする液晶表示装置。

【発明の詳細な説明】

【0001】

【発明の属する技術分野】本発明は、液晶表示装置(Liquid Crystal Display; LCD)及びその製造方法に関し、特に、滴下注入法を用いて2枚のパネル間に液晶を封止する液晶表示装置及びその製造方法に関する。

【0002】

【従来の技術】従来の液晶表示装置の液晶表示パネルを図104を用いて説明する。図104は、TFT(薄膜トランジスタ)をスイッチング素子として用いたアクティブマトリクス型の液晶表示パネルをカラーフィルタ基板側から見た上面の一部を示している。図104に示すように、液晶表示パネル1100は、アレイ基板1116側にマトリクス状に配置された複数の画素領域1114が形成され、各画素領域1114内にはTFT1112が形成されている。そして、複数の画素領域1114で画像の表示領域1110が構成されている。なお、詳細な図示は省略したが、各画素領域1114のTFT1112のゲート電極はゲート線に接続され、ドレイン電極はデータ線にそれぞれ接続されている。またTFT1112のソース電極は画素領域1114内に形成された画素電極に接続されている。複数のデータ線及びゲート線は、アレイ基板1116の外周囲に形成された端子部1102に接続されて、外部に設けられた駆動回路(図示せず)に接続されるようになっている。

【0003】アレイ基板1116よりほぼ端子部1102領域分だけ小さく形成されているカラーフィルタ(CF)基板1104が、所定のセル厚(セルギャップ)で液晶を封止してアレイ基板1116に対向して設けられている。CF基板1104には、共通電極(共通電極; 図示せず)と共に、カラーフィルタ(図中、R(赤)、G(緑)、B(青)の文字で示している)やCr(クロム)膜等を用いたBM(ブラックマトリクス; 遮光膜)1080、1180等が形成されている。BM1118は、表示領域1110内の複数の画素領域1114を画定してコントラストを稼ぐため、及びTFT1112を遮光して光リーク電流の発生を防止させるために用いられる。また、BM縁部1108は表示領域1110外からの不要光を遮光するために設けられている。アレイ基板1116とCF基板1104とは光硬化性樹脂からなるシール剤1106で貼り合わされている。

【0004】ところで、液晶表示装置の製造工程は大別すると、ガラス基板上に配線パターンやスイッチング素子(アクティブマトリクス型の場合)等を形成するアレイ工程と、配向処理やスペーサの配置、及び対向するガラス基板間に液晶を封入するセル工程と、ドライバIC

の取付けやバックライト装着などを行うモジュール工程からなる。このうちセル工程で行われる液晶注入プロセスでは、例えばTFT1112が形成されたアレイ基板1116と、それに対向するカラーフィルタ基板(対向基板)1104とをシール剤1106を介して貼り合わせた後シール剤を硬化させ、次いで液晶と基板とを真空槽に入れてシール剤に開口した注入口を液晶に浸けてから槽内を大気圧に戻すことにより基板間に液晶を封入する方法(真空注入法)が用いられている。

【0005】それに対し近年、例えばアレイ基板1116周囲に棒状に形成したシール剤1106の棒内の基板面上に規定量の液晶を滴下し、真空中でアレイ基板1116とCF基板1104と貼り合せて液晶封入を行う滴下注入法が注目されている。滴下注入法による液晶表示パネルの製造工程について図108を用いて簡単に説明する。まず、図108(a)に示すように、例えば、TFT等のスイッチング素子が形成されたアレイ基板1204の基板面上の複数の箇所に、図示しない液晶滴下注入装置から液晶1206を滴下する。次いで、表示領域内に共通(コモン)電極やカラーフィルタが形成され、表示領域外周囲に紫外線(UV)照射で硬化するUVシール剤1202が塗布された対向基板1200を位置合わせしてアレイ基板1204に貼り付ける。この工程は真空中で行われる。次いで、貼り合わせた基板を大気中に戻すと図108(b)に示すように、貼り合わされたアレイ基板1204と対向基板1200間の液晶1206が大気圧により拡散する。次に、図108(c)に示すように、シール剤1202の塗布領域に沿う移動方向1211でUV光源1208を移動させながらUV光をシール剤1202に照射し、シール剤1202を硬化させる。

【0006】この滴下注入法は、従来のパネルの製造に広く用いられてきた真空注入法と比較して、第1に液晶材料の使用量を大幅に低減できること、第2に液晶注入時間を短縮できること等から、パネル製造のコストを低減したり量産性を向上させたりする可能性を有しているため、パネル製造工程での適用が強く望まれている。

【0007】例えば、特開昭63-179323号公報には、一方の基板上に設けたシール剤の内側の基板面に精秤した所要量の液晶を載せ、この液晶が基板面上を拡散して周辺のシール剤端面に到達するまでに、対向する他方の基板がシール剤上面に接するように重ね合わせ、周囲を減圧して両基板を圧着した後、シール剤を固化する方法が記載されている。

【0008】

【発明が解決しようとする課題】しかしながら上記公報では、滴下注入の基本的なプロセスフローは示されているものの製造技術に関する具体的記述が少なく、実際にプロセスを適用するに当たっての現実的な技術的課題が残されている。滴下注入プロセスは、それ以前に行われ

ていた液晶注入プロセスと比較して、簡便かつ低コストに液晶パネルを製造できる反面、以下に示すような技術的困難性を有しているため液晶表示装置の製造方法への適用が遅れている。

#### 【0009】(1) シール剤の硬化不良

シール剤1106、1202の未硬化成分が液晶と長時間接していたり、その状態で高温に曝されていたりすると液晶が汚染されてしまう。そのため、滴下注入プロセスを用いる場合のシール剤1106、1202には紫外光照射で速やかに硬化する光硬化性樹脂が用いられている。

【0010】ところで、近年の液晶パネル1100の大型化等により、パネル周囲の額縁部の幅は狭くなってきている。従って、基板周囲に枠状に形成されるシール剤1106は、図104に示すBM額縁部1108の外周端近傍ぎりぎり形成される場合が多い。そのため、アレ基板1116とCF基板1104とを圧着した際に、シール剤1106がBM額縁部1108と接触してしまう領域(図104中、斜線で示した領域)が生じるが、BM額縁部1108と接触しているシール剤1106領域は遮光されて光が照射されないため、当該領域に硬化不良領域が発生してしまう。

#### 【0011】(2) シール剤の剥離

図105は従来の液晶パネルのセル工程における液晶の滴下注入を示している。図105(a)は、シール剤1106内のアレ基板面上に、シール剤1106の枠形状と相似形でほぼ均等な間隔(本例では3行4列のマトリクス状)で液晶(O印で示す)1144を滴下した状態を示している。各液晶1144の滴下位置に対して、隣り合う液晶1144の滴下位置までの距離は、図示のように $d_2=d_4=d_6=d_8>d_1=d_3=d_5=d_7$ という関係を有している。図105(b)は、アレ基板とCF基板とを貼り合わせた後の液晶1144の拡散状態を示している。図105(b)に示すように、ガラス基板上のシール剤1106は四角形の枠形状に形成されているのに対し、滴下した液晶1144の液滴は基板面上で円形形状1146に拡散する。従来の滴下方式では液滴同士が干渉するため、間隙1145が十分小さくなって液晶拡散が終了するまでに20分程度の時間を要する。

【0012】このように従来方法では、シール剤1106角部にまで液晶が拡散するのに長時間を要することになり、シール剤を硬化させるまでの待機時間が長くなってしまふ。このため両基板内外の差圧により、待機時間中にシール剤の角部の剥離が発生して液晶漏れを生じてしまう可能性が高い。

#### 【0013】(3) 基板変形と表示不良

従来プロセスでの液晶滴下における基板保持は、真空チャック、静電チャック、あるいは機械式保持装置を用いて行われている。真空チャックによる基板保持は、基板

を平行定盤上の吸着面に載置して基板裏面を真空吸引して固定する。この保持方法で例えばアレ基板を保持し、ディスペンサ等により適量の液晶をシール剤枠形状内のアレ基板面上に滴下する。次いで、真空雰囲気内でCF基板を位置決めしてアレ基板と貼り合わせる工程に入る。ところが、真空チャックによる基板保持では、真空度がある程度高くなると真空チャックが機能しなくなってしまうため、基板貼り合わせ時の真空度を十分に上げることができない。従って、両基板に十分な貼り合わせ圧力をかけることができなくなってしまう、両基板を均一に貼り合わせる事が困難になる。

【0014】また、機械式保持では基板の保持辺部だけに応力がかかるため基板にそりやたわみ等の変形が生じてしまい、液晶滴下後の基板の貼り合わせに際して両基板を平行に保持することができなくなる。両基板が変形した状態で貼り合わせを行うと位置ずれが大きくなり、各画素の開口率の減少や遮光部からの光もれが発生してしまうという問題が生じる。

【0015】図106は静電チャックによる基板貼り合わせを説明する図である。図106(a)は例としてアレ基板1116の2枚取り構成のガラス基板700が静電チャック740~770で静電吸着されている状態の平面図を示している。図106(b)は、アレ基板1116とCF基板1104とを貼り合わせる際の図106(a)に示すA-A線で切断した断面方向から見た状態を示している。

【0016】図106に示すように、ガラス基板700上で2枚のアレ基板1116となる領域は電気的に相互に絶縁されている。ガラス基板700を静電吸着する静電チャックは、平行定盤上に4つの電極740、750、760、770を有している。4つの電極740~770のうち、電極740、750で正電極を構成し、電極760、770で負電極を構成している。正電極740と負電極760とで一方のアレ基板1116面を静電吸着し、正電極750と負電極770とで他方のアレ基板1116面を静電吸着するようになっている。正電極740と負電極760との境界、及び静電極750と負電極770との境界には空隙680が設けられている。平面図による図示は省略したがCF基板1104を形成するガラス基板720側の静電チャックも上述のガラス基板700を吸着する静電チャックと同様の構成を有している。

【0017】このような構成の静電チャックに、導電膜が形成されたガラス基板を載せて電極と導電膜の間に電圧を印加して、ガラスと導電膜との間にクーロン力を発生させることによりガラス基板を吸着することができる。図106に示す場合は、ガラス基板700上の導電膜は、アレ基板1116領域上に形成されている画素電極、ゲート配線、データ配線等である。また、CF基板1104領域が形成されたガラス基板720上の導電

膜はコモン電極等である。

【0018】このような静電チャックでガラス基板700、720を保持して基板を貼り合わせるには、アレイ基板1116領域をほぼ2等分した一方の領域に正電極740、750を接触させ残りの領域に負電極760、770を接触させて、正負電極間に所定の電圧を印加してガラス基板700を静電吸着する。このとき、図106(b)に示すように、ガラス基板700のアレイ基板1116領域の正電極740、750に対応する表面は負(-)に帯電し、負電極760、770に対応する表面は正(+)に帯電する。このため、正負電極間の境界の空隙680に対応するアレイ基板1116の導電膜には正電荷と負電荷の境界線ができる。

【0019】ところで、アレイ基板1116の導電膜上部には配向膜が形成されており、その上に滴下注入により液晶が滴下されている。従って、上述の方法によりアレイ基板1116領域を静電吸着させると、アレイ基板1116領域面をほぼ2等分する境界線の両側で、液晶中の不純物イオンが配向膜上に選択的に吸着されてしまい、形成された液晶パネルを表示させると当該境界線を挟む2面の輝度が異なって表示不良が発生してしまうという問題を有している。

【0020】またさらに、アレイ基板1116を形成するガラス基板700とCF基板1104を形成するガラス基板720とを静電吸着により保持しつつ貼り合わせる際、図106(b)に示すように両ガラス基板700、720の対向面に正負逆極性の電圧印加を行うと、対向する基板同士にクーロン力が作用して静電吸着による基板吸着力が弱くなる。このため、基板変形を起したり、基板同士が接触して静電破壊を起したりする可能性がある。

【0021】また、基板保持力が真空度の影響を受けない静電チャックで基板を保持する方式では、基板貼り合わせのために大気圧から減圧する途中でグロー放電が生じてしまい、基板上の回路やTFT素子に障害が発生してしまう場合があるという問題も有している。また、静電チャックと基板の間に残留した空気により静電チャックの動作が不安定になってしまい、基板貼り合わせ工程の途中で静電チャックから基板が離脱してしまうという現象が生じる場合もある。

#### 【0022】(4) セル厚のばらつき

滴下注入プロセスにおいて液晶を両基板面内で均一に分散させるためには、ディスペンサ等により基板面上に液晶を多点滴下する必要がある。しかしながら、基板1面当たりの液晶滴下量は僅かであり、滴下位置を多点に分散させた場合には極微量の液晶を精度よく滴下させなければならない。しかし滴下時の温度変化等の環境変化による液晶の粘度や体積の変化、あるいは滴下装置(ディスペンサ)の性能のばらつきで液晶滴下量は変動してしまう。その結果、両基板間のセル厚のばらつきが発生し

てしまう。

【0023】図107は液晶パネル面に垂直な方向に切断した断面を示し、セル厚ばらつきの例を示している。図107(a)は最適の液晶滴下により、所望のセル厚が得られた状態を示している。図107において、アレイ基板1116とCF基板1104とがシール剤1106により貼り合わされており、またスペーサとしてのビーズ1150により所定のセル厚が確保されている。ところが、液晶の滴下量が多くなると、図107(b)に示すように、余分な液晶によりシール剤1106が目標ギャップまでプレスできなくなりパネル周辺部(額縁部周辺)に表示むらが発生してしまうという問題を生じる。さらに液晶の滴下量が多くなると、図107(c)に示すように、プレス不良を起こしたシール剤1106よりパネル中央部の方が膨らんでしまう現象が起きて全面に表示むらが引き起こされてしまう。

#### 【0024】(5) 液晶の劣化

また、滴下注入法を用いて製造した液晶表示装置には、シール剤と液晶とが接するシール際で表示ムラが発生してしまうという問題が生じている。その原因の一つを図109を用いて説明する。図109は、液晶表示パネル端部の一部横断面を示している。アレイ基板1200と対向基板1204とがシール剤1202を介して対向している。アレイ基板1200の対向基板1204と対向する面には画素電極やバスライン(図109では、これらをまとめて符号1212として示す)が形成され、その上部に配向膜1214が形成され、対向基板1204のアレイ基板1200と対向する面には共通電極やカラーフィルタ(図109では、これらをまとめて符号1216として示す)が形成され、その上部に配向膜1218が形成されている。対向する電極間は所定のセルギャップが維持されて液晶1206が封止されている。図示の通り、パネル端部の液晶1206はシール剤1202に接触している。

【0025】このような構造において、シール剤硬化のためにシール剤1202に向けてUV照射を行うとUV光1210はわずかに拡散してシール剤1202近傍の図中斜線で示す領域の液晶1220をも照射してしまう。ところが、一般に、液晶材料にUV光を照射すると液晶の特性が劣化してしまい、特に比抵抗が下がる傾向にありTFT-LCD等で要求される高い電圧保持率が維持できなくなる。そのため、UVが照射されていない部分と比べて液晶セルの駆動電圧が異なり、中間調表示において表示ムラが目立つようになる。

【0026】また、滴下注入法では、UV照射前のシール剤1202と液晶1206が接触する領域が広い。そのため、未硬化のシール剤による液晶材料の汚染の可能性も高くなる。この液晶汚染を抑制するには、UV照射を瞬時にやりUVシール剤を素早く硬化させる必要がある。しかし、照射時間を短縮するために高い強度のUV光を



照射すると、その漏れ光が液晶材料へ与えるダメージも大きくなってしまふという問題がある。

【0027】また、以上説明したように、滴下注入法ではシール剤に光硬化樹脂もしくは光及び熱硬化樹脂を用いる。シール剤の光硬化に関する先行技術としては、貼り合せた基板に光を透過する所定のパターンを有するマスクを介して紫外線照射する手法（特開平09-61829号公報）や上下基板の遮光部をシール配置位置で重ならないよう対向配置する手法（特開平09-90383号公報）、貼り合わせ時の圧力と大気圧または貼り合わせ後の真空チャンバ内の圧力との差圧によりパネルの圧着を行う手法（特開平10-26763号公報）等が知られている。

【0028】ところが、これらの手法を用いても滴下注入法における光硬化プロセスでは以下に示す課題を抱えている。まず、液晶の光劣化が挙げられる。光硬化樹脂には保存性や接着強度の点から紫外線硬化樹脂が用いられるが、既に説明したとおり、液晶に紫外線が照射されると光分解反応が進行し、イオン性不純物が発生する。このイオン性不純物は電圧保持率の低下による表示ムラや焼き付きといった表示不良を引き起こす。このため上記文献（特開平09-61829号公報）に開示されたような、光を透過する所定のパターンを有するマスク用いることが考えられるが、シールパターン毎にマスクが必要になり、またマスクアライメントの工数が増えることになるため、液晶の滴下注入法のねらいであるパネルの製造コスト低減及び量産性の向上を却って阻害することになりかねないという問題を有している。

【0029】第2には、パネル外形寸法の拡大が挙げられる。アレイ基板側の非表示領域には通常多くの金属膜からなる端子が形成されている。上記文献（特開平09-90383号公報）のように上下基板の遮光部をシール剤配置位置で重ならないよう対向配置するには実質的にブラックマトリクスの額縁外にシールを形成しなければならず、パネル外形寸法を拡大せざるを得なくなる。

【0030】第3には、位置ずれの問題がある。光硬化では瞬時にシール硬化が行われるため基板が本来有しているうねりや反りによる応力が残留しやすい。この状態で熱処理を行うと応力が解放され基板の位置ずれが発生する。

【0031】第4には、プレス不良の問題がある。滴下注入では上記公報（特開平10-26763号公報）のように貼り合せた時の圧力と大気圧または貼り合わせ後の真空チャンバ内の圧力との差圧により基板全体を加圧して液晶の拡散を図っている。加圧直後は液晶がシール剤まで到達していないためシール剤は瞬間的に押し寄せられ、基板間に混入されたスペーサの厚さまでプレスされるが、パネル面内は所定厚より厚いため、その後シール剤は押し返されてしまふ。放置時間を長くすることによりパネル厚は徐々に所定厚に近づくため、シール剤は再び

スペーサの厚さまでプレスされるが、放置の間に未硬化のシール剤で液晶が汚染されるため、実際はできるだけ短時間で硬化させなければならない。この兼ね合いで十分な放置時間をとることができず、プレス不良が発生する原因となっている。

【0032】上記の真空注入法や滴下注入法ではシール剤を短時間で硬化させるためにシールに光硬化樹脂若しくは光+熱硬化樹脂を用いている。ところが、滴下注入法ではシール剤が未硬化の状態と液晶と接してしまう可能性を有している。液晶中にシール剤成分が溶出したリ、シール剤硬化時の紫外線が隣接する液晶に照射して液晶が光分解されてしまつたりすると、シール際の液晶の電圧保持率が低下して表示不良が発生してしまう。

【0033】この問題に対処するため、例えば特開平6-194615号公報では、一对の基板のいずれか一方の基板の画素領域外に柱状のスペーサを配置し、当該一方の基板の周縁に沿って枠状スペーサ（枠状構造物）を配置した液晶表示装置が開示されている。これらのスペーサは、フォトリソグラフィ工程で同時に形成され、滴下注入法を用いた液晶パネル製造に用いられる。

【0034】図110(a)は、TFTをスイッチング素子として用いた図104に示したものは別の従来のアクティブマトリクス型の液晶表示パネル100をCF（カラーフィルタ）基板側から見た上面の一部を示している。図110(b)は、図110(a)のA-A線で切断した部分断面を示している。液晶表示パネル1100のアレイ基板1116側にはマトリクス状に配置された複数の画素領域1114が形成され、各画素領域1114内にはTFT（図示せず）が形成されている。複数の画素領域1114で画像の表示領域1110が構成される。

【0035】CF基板1104は、アレイ基板1116よりほぼ端子部1102の幅だけ小さく形成されて、所定のセル厚で液晶22を封止してアレイ基板1116に対向して設けられている。アレイ基板1116とCF基板1104とは光硬化性樹脂からなるメインシール1106で貼り合わされている。図中2本の破線で示された幅1106'は、メインシール1106塗布時の幅を示している。メインシール1106と表示領域1110との間の領域にはメインシール1106と液晶22とを分離する枠状構造物1111が形成されている。アレイ基板1116及びCF基板1104間の枠状構造物1111で囲まれた領域には液晶22が封止されている。

【0036】CF基板1104には、コモン電極（図示せず）と共に、カラーフィルタ（図中、R（赤）、G（緑）、B（青）の文字で示している）が設けられている。またCF基板1104には遮光機能を有するBM額縁1108及び画素領域間を画定するBMが形成されている。枠状構造物1111の外周端は、基板1116面に垂直な方向から見てBM額縁1108の外周端より内

側に配置されている。従って、メインシール1106内側周端部がBM額縁1108外側周端部との重なり領域1107が形成される。このため、BM額縁1108によるUV光の遮光が生じてメインシール1106の硬化不良が領域1107で生じる。

【0037】また、図111に示すように、セル厚相当の枠状スペーサ1106を基板1116、1104周縁に設けたのみでは、滴下注入時に枠状スペーサ1111を満たす量以上の液晶が滴下された場合には余剰液晶が枠状スペーサ1111を乗り越えてしまい、未硬化のシール剤1106と液晶22が接して汚染物質が拡散してしまう。また、図112に示すように、セル厚が厚いと液晶22が拡散し終わる前に液晶22は容易に枠状スペーサ1111を乗り越えてしまう。図112はアレイ基板1116表面をCF基板1104側から見た状態を示している。液晶滴下法を用いて複数点の液晶滴下点1120に液晶22を滴下して基板1116、1104を貼り合わせると、貼り合わせ時の液晶22の境界1123が徐々に拡散する。液晶22が拡散しきる前は液晶未注入部1121が形成され、セル厚は余剰液晶がなくても枠状スペーサ1112の高さより厚いため、液晶境界1123は枠上スペーサ1111を乗り越えて例えば位置1122において未硬化のメインシール1106と接触してしまう。また、図113に示すように、基板貼り合わせ後に大気開放すると、大気圧は基板全面に様に作用するため、抵抗の大きいメインシール1106より基板中央が凹む結果、枠状スペーサ1111が浮き上がってしまい液晶22がメインシール1106に接触してしまう。

【0038】以上説明した課題に加えて、従来の滴下注入法ではさらに以下に示す課題を抱えている。

#### (6) 硬化不良によるシール剥離

液晶表示基板の周縁部(額縁)には、通常、ブラックマトリクス(BM:遮光膜)が形成されている。枠状スペーサの配置をうまく規定しないとシール剤が基板貼り合わせ後に広がり、その一部がBM額縁端と重なってUV光が到達せず硬化不良を起こしてしまう。硬化不良の部分では接着強度が弱いため外部応力が集中し、シール剤剥離を誘発する。シール剤位置をBM額縁端から十分離せばこのような不具合は発生しないが、額縁領域が拡大するためガラス基板面を効率よく利用できなくなる。

【0039】(7) 余剰液晶の枠状スペーサの乗り越えセル厚相当の枠状スペーサを基板周縁に設けたのみでは、滴下注入時に枠状スペーサを満たす量以上の液晶が滴下された場合に余剰液晶が枠状スペーサを乗り越え、未硬化のシール剤と液晶が接して汚染物質が拡散してしまう。また液晶滴下を制御しても滴下ディスペンサによる滴下量のばらつきや液晶が枠内に充填しきる前に液晶が枠状スペーサに到達すると、まだ液晶が拡散しきる前でセル厚が厚いため、液晶は容易に枠状スペーサを乗り越えてしまう。

【0040】(8) 滴下跡によるムラ

滴下注入法により製造した液晶表示装置は、滴下した液晶の領域に、「滴下跡」がムラとして見える問題を有している。図114は「滴下跡」の例を示している。図114(c)は液晶滴下を示しており、滴下された液晶136が基板132上の配向膜134上に付着した状態を示している。「滴下跡」による表示ムラは、図114(a)に示すような滴下領域の境界が見えるムラ130と、図114(b)に示すような滴下領域全体が周辺輝度と異なる面状のムラ131とがある。滴下注入パネルは、滴下液晶と配向膜が大気圧下で接触した後、位置決め・貼り合わせをした際、真空中で液晶が広がる。

【0041】「滴下跡」は、液晶が大気圧中で配向膜と接触したことが原因と思われる。また、滴下する液晶材料・配向膜材料によって「滴下跡」のレベルが異なることが分かっている。傾向として、液晶材料の極性が強く、用いる液晶材料・配向膜材料の電気的特性が劣る(電圧保持率が低い・イオン密度が高い・残留DC電圧が大きい)と「滴下跡」ムラが大きく生じる。特に、MVA(Multi-domain Vertical Alignment)モードによる液晶の配向制御を実現できる液晶パネルは、N型(誘電率異方性が負: $\Delta\epsilon < 0$ )の液晶材料と、垂直配向膜を必要とするが、これらの材料はP型の液晶材料・水平配向膜と比べて材料選択性が乏しく、現状の材料では電気的特性が満足いくものが少ない。従って、大気圧中で配向膜と接触する液晶材料がより信頼性が高い液晶を用いる必要があり、これまでと異なる製造方法が必要となっている。

#### 【0042】(9) その他の課題

さらに、滴下注入法では、工程上のトラブルにより滴下注入に失敗した基板や、メインシール近傍のセルギャップ出しに失敗した基板が後工程に進んでしまうのを防止するための管理が困難であるという問題を有している。特に、MVAモードの液晶パネルでは、電圧無印加状態ではパネル正面から見たときの液晶の屈折率異方性が0なので、液晶層は空気層と同じようにしか見えず、液晶注入状態を確実に把握することが困難である。従って、滴下注入法により製造した液晶パネルの表示ムラの検査を容易に確実に行えるようにすることが望まれる。

【0043】また、液晶と未硬化のシール剤との接触による液晶汚染を低減させるためには、高粘度のシール剤を用いることが考えられる。ところが、高粘度のシール剤ではギャップ出しが困難になり、シール際のセル厚が表示中央部のセル厚より厚くなって表示ムラが起きてしまうという問題を生じる。

【0044】また、滴下注入法を実施する上で、真空中で貼り合せた基板を大気開放後にUV照射してシール剤を硬化させるまで間の環境の変化やUV照射時の基板状態の変化、あるいはギャップ形成時の基板姿勢の不安定

等により、対向する2枚の基板間に貼り合わせズレや基板歪みによるズレが発生したり、ギャップ不良が発生したりして、安定した製品を作ることが困難であるという問題を有している。

【0045】本発明の目的は、セル工程での液晶滴下を確実に実行する液晶表示装置及びその製造方法を提供することにある。また、本発明の目的は、光硬化性材料のシール剤の硬化不良を減少させた液晶表示装置及びその製造方法を提供することにある。さらに、本発明の目的は、シール剤の剥離を防止する液晶表示装置及びその製造方法を提供することにある。またさらに、本発明の目的は、基板変形や表示不良を減少させた液晶表示装置及びその製造方法を提供することにある。またさらに、本発明の目的は、液晶の滴下注入法を用いた際のセル厚のばらつきを減少させ良好なセル厚を得ることができる液晶表示装置及びその製造方法を提供することにある。本発明は、滴下注入法を用いることにより生じる問題を解決するためになされたものであり、シール剤硬化のUV照射を行っても液晶を劣化させない液晶表示装置及びその製造方法を提供することにある。さらに、本発明の目的は、シール剤硬化で生じる貼り合わせ基板の位置ずれを減少させた液晶表示装置及びその製造方法を提供することにある。またさらに、本発明の目的は、滴下注入における基板のアレス不良を改善した液晶表示装置及びその製造方法を提供することにある。またさらに、本発明の目的は、滴下注入におけるパネル外形寸法の拡大を抑制した液晶表示装置及びその製造方法を提供することにある。本発明の目的は、メインシールと表示領域との間の領域に枠状構造物とブラックマトリクス額縁とが形成された液晶表示装置において、シール剤剥離を防止し、また未硬化のシール剤による液晶の汚染を防止できる液晶表示装置を提供することにある。また、本発明の目的は、特にMVAモードの液晶表示装置の製造工程における液晶滴下注入法を改善して、表示ムラを低減させることができる液晶表示装置の製造方法を提供することにある。さらに本発明の目的は、表示ムラの検査が容易に行える液晶表示装置の製造方法を提供することにある。また本発明の目的は、滴下注入法を用いても対向する2枚の基板間に貼り合わせズレや基板歪みによるズレが発生したり、ギャップ不良が発生したりしない液晶表示装置の製造方法を提供することにある。

【0046】

【課題を解決するための手段】上記目的は、2つの基板間に挟まれた液晶を封止する光硬化性材料からなるシール剤と、赤色光を透過させる赤色着色層と、緑色光を透過させる緑色着色層と、青色光を透過させる青色着色層とを重ね合わせた遮光領域を有する遮光膜とを備えた液晶表示装置において、前記シール剤と接触する前記遮光膜の領域には前記青色着色層のみが形成され、前記シール剤の光硬化性材料は、青色帯域の波長の光に光反応域

を有していることを特徴とする液晶表示装置によって達成される。

【0047】上記本発明の液晶表示装置において、前記赤色着色層、前記緑色着色層、及び前記青色着色層は、各画素に対応して形成される赤色、緑色、青色のカラーフィルタの形成材料とそれぞれ同一材料で形成されていてもよい。

【0048】また、上記目的は、複数の画素が形成された表示領域の外側に枠状に形成されたシール剤で、対向する2つの基板を貼り合わせて液晶を封止した液晶表示装置において、前記2つの基板の少なくとも一方に、前記シール剤内方且つ前記表示領域の外側に枠状に設けられた凸状構造物を有することを特徴とする液晶表示装置によって達成される。

【0049】さらに、上記目的は、複数の画素が形成された表示領域の外側に枠状に形成されたシール剤で、対向する2つの基板を貼り合わせて液晶を封止した液晶表示装置において、前記シール剤の外側周囲に、中空枠状のシール剤がさらに形成されていることを特徴とする液晶表示装置によって達成される。

【0050】またさらに上記目的は、光硬化性材料のシール剤で2つの基板を貼り合わせて液晶を封止し、前記シール剤に光を照射して硬化させて前記2つの基板を固定する液晶表示装置の製造方法において、前記光硬化性材料として、青色帯域の波長の光に光反応域を有する光硬化性樹脂を用い、前記2つの基板を貼り合わせた際に前記シール剤が接触する遮光膜の領域には青色帯域の光を透過させる着色層のみを形成することを特徴とする液晶表示装置の製造方法によって達成される。この場合、前記着色層は、画素に形成される青色のカラーフィルタの形成時に同時に形成されてもよい。

【0051】また上記目的は、一方の基板上の複数箇所

に液晶を滴下してから他方の基板と貼り合わせる工程を有する液晶表示装置の製造方法において、前記液晶の滴下量を滴下箇所により変化させることを特徴とする液晶表示装置の製造方法によって達成される。

【0052】さらに上記目的は、一方の基板上の複数箇所

に液晶を滴下してから他方の基板と貼り合わせる工程を有する液晶表示装置の製造方法において、隣接して滴下された液晶との液晶拡散距離がほぼ等しくなる位置に前記各液晶を滴下することを特徴とする液晶表示装置の製造方法によって達成される。この液晶表示装置の製造方法において、前記各液晶は、ほぼ同量の液晶量で滴下され、さらに、前記液晶拡散距離が等しくない位置に前

記液晶量以下の量を有する液晶を滴下するようにしてもよい。

【0054】さらに、上記目的は、一方の基板上に液晶を滴下してから他方の基板と貼り合わせる工程を有する液晶表示装置の製造方法において、前記両基板の貼り合わせの際、前記一又は他方の基板の少なくともいずれかを機械的に保持した状態で雰囲気を減圧し、所定の気圧になったら前記基板の保持を機械的保持から静電チャックによる保持に切り替えることを特徴とする液晶表示装置の製造方法によって達成される。

【0055】そして、前記静電チャックは、前記気圧が $1 \times 10^{-1}$  torr以下で前記基板を吸着保持することを特徴とする。また、前記静電チャックは、前記基板上に形成された複数のパネル形成領域の当該パネル形成領域毎に同極性の電圧を印加して前記基板を静電吸着することを特徴とする。そして、前記複数のパネル形成領域間を電気的に接続する導電パスを前記基板上に形成することを特徴とする。

【0056】上記本発明の液晶表示装置の製造方法において、前記一方及び他方の基板を対向させて貼り合わせの際、前記一方及び他方の基板の双方をそれぞれ静電チャックにより吸着して、前記一方及び他方の基板の相対向する領域には同極性の電圧を印加することを特徴とする。

【0057】また、本発明の液晶表示装置の製造方法において、前記静電チャックの電極を櫛形状の正電極と負電極とが櫛歯をかみ合わせて対向するように形成し、前記基板上に形成されたパネル形成領域内で前記櫛形状の電極に電圧を印加して前記基板を静電吸着することを特徴とする。

【0058】また、上記目的は、一方の基板上に液晶を滴下してから他方の基板と貼り合わせる工程を有する液晶表示装置の製造方法において、基板貼り合わせ用に基板上に形成された棒状のシール剤の内方且つ表示領域の外側にセル厚を規定する凸状構造物を棒状に設け、前記表示領域を満たす量以上であって、且つ前記シール剤内方を満たさない量の液晶を滴下し、前記一方及び他方の基板を貼り合わせる際、前記表示領域から溢れる余剰液晶を前記シール剤と前記凸状構造物との間に形成される間隙部に排出することを特徴とする液晶表示装置の製造方法によって達成される。

【0059】さらに、上記目的は、一方の基板上に液晶を滴下してから他方の基板と貼り合わせる工程を有する液晶表示装置の製造方法において、基板貼り合わせ用に基板上に形成する棒状のシール剤を二重棒構造に形成し、内方の前記シール剤に液晶を流出させる開放部を設け、前記内方のシール剤の内方を満たす量以上であって、且つ外方の前記シール剤の内方を満たさない量の液晶を滴下し、基板貼り合わせ時の余剰液晶を前記開放部から前記内方のシール剤と前記外方のシール剤との間に排

出させることを特徴とする液晶表示装置の製造方法によって達成される。そして、前記開放部は、前記内方のシール剤の前記基板に設けられた端子取付部に面しない辺部に設けるようにしてもよい。

【0060】さらに、上記目的は、上記本発明の液晶表示装置の製造方法に用いられる静電チャックであって、電圧を印加して基板を静電吸着する電極は、櫛形状の正電極と負電極とが櫛歯をかみ合わせて対向していることを特徴とする静電チャックによって達成される。

【0061】上記目的は、2つの基板間に挟まれた液晶を封止する光硬化性材料からなるシール剤を備えた液晶表示装置において、前記2つの基板の前記シール剤と接触する領域に光反射層が形成されていることを特徴とする液晶表示装置によって達成される。

【0062】また、上記目的は、2つの基板間に挟まれた液晶を封止する光硬化性材料からなるシール剤を備えた液晶表示装置において、前記2つの基板の前記シール剤近傍に前記液晶を垂直配向させる配向膜が形成されていることを特徴とする液晶表示装置によって達成される。

【0063】さらに上記目的は、2つの基板間に挟まれた液晶を封止する光硬化性材料からなるシール剤を備えた液晶表示装置において、前記2つの基板の画像表示領域と前記シール剤との間で対向する2つの電極を備えていることを特徴とする液晶表示装置によって達成される。

【0064】また上記目的は、一方の基板上の複数箇所に液晶を滴下してから、光硬化性材料からなるシール剤を介して前記一方の基板と他方の基板とを貼り合わせ、前記シール剤に光を照射して硬化させる工程を有する液晶表示装置の製造方法において、前記光は、偏光光を用いることを特徴とする液晶表示装置の製造方法によって達成される。

【0065】さらに上記目的は、一方の基板上の複数箇所に液晶を滴下してから、光硬化性材料からなるシール剤を介して前記一方の基板と他方の基板とを貼り合わせ、前記シール剤に光を照射して硬化させる工程を有する液晶表示装置の製造方法において、前記シール剤近傍の前記液晶の分子を垂直配向させて前記光を照射することを特徴とする液晶表示装置の製造方法によって達成される。

【0066】また上記目的は、2つの基板間に挟まれた液晶を封止する光硬化性材料からなるシール剤を備えた液晶表示装置において、前記シール剤は、前記2つの基板のうち一方との接触領域の少なくとも一部が前記一方の基板に形成された遮光膜と重なり合っていることを特徴とする液晶表示装置によって達成される。

【0067】さらに上記目的は、一方の基板上の複数箇所に液晶を滴下してから、光硬化性材料からなるシール剤を介して前記一方の基板と他方の基板とを貼り合わ

せ、前記シール剤に光を照射して硬化させる工程を有する液晶表示装置の製造方法において、前記シール剤の前記他方の基板との接触領域の少なくとも一部が前記他方の基板上に形成された遮光膜と重なり合うように形成し、前記他方の基板に形成されたカラーフィルタを含む領域に光を照射して前記シール剤を硬化させることを特徴とする液晶表示装置の製造方法によって達成される。

【0068】またさらに上記目的は、2つの基板間に挟まれた液晶を封止する光硬化性材料からなるシール剤を備えた液晶表示装置において、前記2つの基板のいずれかに形成された遮光膜と、着色粒子が添加されて前記遮光膜下方に形成され、前記2つの基板を電氣的に接続するトランスファと、前記トランスファ上方の前記遮光膜に開口された光入射孔とを備えたことを特徴とする液晶表示装置によって達成される。

【0069】また上記目的は、一方の基板上の複数箇所に液晶を滴下してから、光硬化性材料からなるシール剤を介して前記一方の基板と他方の基板とを貼り合わせ、前記シール剤に光を照射して硬化させる工程を有する液晶表示装置の製造方法において、前記一方の基板を平行平板上に固定し、前記一方の基板に貼り合わせた前記他方の基板を押圧しつつ、前記シール剤に光を照射して硬化させることを特徴とする液晶表示装置の製造方法によって達成される。

【0070】また上記目的は、一方の基板上の複数箇所に液晶を滴下してから、光硬化性材料からなるシール剤を介して前記一方の基板と他方の基板とを貼り合わせ、前記シール剤に光を照射して硬化させる工程を有する液晶表示装置の製造方法において、前記液晶は光重合性材料を含み、前記液晶に光を照射して硬化させた後、前記シール剤を硬化することを特徴とする液晶表示装置の製造方法によって達成される。

【0071】さらに上記目的は、2つの基板間に挟まれた液晶を封止する光硬化性材料からなるシール剤を備えた液晶表示装置において、前記2つの基板を貼り合わせる際の位置決め用の突起物が、前記2つの基板上に形成されていることを特徴とする液晶表示装置によって達成される。

【0072】上記目的は、液晶を挟持して対向する2枚の基板と、前記基板の表示領域の外側周辺部で前記2枚の基板を貼り合わせるメインシールと、前記メインシールと前記表示領域との間の領域に形成された枠状構造物と、前記メインシールと前記表示領域との間の領域を遮光するブラックマトリクス額縁とを有し、前記枠状構造物の外周端と前記ブラックマトリクス額縁の外周端とは、前記基板面に垂直な方向から見てほぼ一致するように形成されていることを特徴とする液晶表示装置によって達成される。

【0073】本発明の液晶表示装置において、前記枠状構造物は、前記表示領域内に配置されたスペーサのほぼ

半分以上の高さを有し、前記枠状構造物表面又はその対向領域の少なくともいずれかに垂直配向膜が形成されていることを特徴とする。また本発明の液晶表示装置において、前記メインシールより外側の領域に形成された第2の枠状構造物を有し、前記メインシールと前記表示領域との間の領域に形成された前記枠状構造物と、前記第2の枠状構造物とで前記メインシールの両側を囲うことを特徴とする。また、本発明の液晶表示装置において、前記第2の枠状構造物の一部又は全部は、前記ブラックマトリクス額縁内に形成され、前記メインシールの形成領域上にはブラックマトリクスを形成しないことを特徴とする。

【0074】本発明によれば、真空注入法や滴下注入法において発生していたシール際の表示ムラやシール剥離は発生しなくなる。これにより真空注入法および滴下注入法で製造される液晶表示パネルの製造歩留まりは大幅に改善され、特に滴下注入法で生じ得る種々の問題を解決して量産適用可能なものとするができるようになる。

【0075】また、上記目的は、一方の基板上に液晶滴下を行い、光硬化性材料からなるシール剤を介して前記一方の基板と他方の基板とを貼り合わせ、前記シール剤に光を照射して硬化させる工程を有する液晶表示装置の製造方法において、前記液晶滴下は、成分が異なる2種以上の液晶を同一滴下領域内に重ねて滴下することを特徴とする液晶表示装置の製造方法によって達成される。本発明の液晶表示装置の製造方法において、前記2種以上の液晶は、信頼性の相対的に高い第1の液晶とそれより信頼性の低い第2の液晶とを少なくとも有し、前記第1の液晶を滴下した後、基板上に滴下された前記第1の液晶上に前記第2の液晶を滴下することを特徴とする。

【0076】さらに、上記目的は、一方の基板上に液晶滴下を行い、光硬化性材料からなるシール剤を介して前記一方の基板と他方の基板とを貼り合わせ、前記シール剤に光を照射して硬化させる工程を有する液晶表示装置の製造方法において、前記一方及び他方の基板端部が相対的にずれるように両基板を貼り合わせ、ずれた領域にパネル検査用の外部接続端子を配置することを特徴とする液晶表示装置の製造方法によって達成される。

【0077】またさらに上記目的は、一方の基板上に液晶滴下を行い、光硬化性材料からなるシール剤を介して前記一方の基板と他方の基板とを貼り合わせ、前記シール剤に光を照射して硬化させる工程を有する液晶表示装置の製造方法において、パネル領域周囲にメインシールを形成し、前記メインシールを所定の空隙で囲むようにダミーシールを形成し、前記基板を貼り合わせる際に前記空隙に真空領域を形成し、大気圧の元で前記真空領域に作用する力を利用して前記メインシールのギャップ出しを行うことを特徴とする液晶表示装置の製造方法によって達成される。

【0078】また上記目的は、一方の基板上に液晶滴下を行い、光硬化性材料からなるシール剤を介して前記一方の基板と他方の基板とを貼り合わせ、前記シール剤に光を照射して硬化させる工程を有する液晶表示装置の製造方法において、基板貼り合わせ時に前記基板を載置したステージ上に貼り合わせ済の基板を吸着して前記光を照射し前記シール剤を硬化させることを特徴とする液晶表示装置の製造方法によって達成される。

【0079】上記目的は、一方の基板上に液晶滴下を行い、光硬化性材料からなるシール剤を介して前記一方の基板と他方の基板とを貼り合わせ、前記シール剤に光を照射して硬化させる工程を有する液晶表示装置の製造方法において、パネル領域周囲にメインシールを形成し、前記メインシールを所定の空隙で囲むように第1ダミーシールを形成し、前記メインシール内方と、前記空隙に前記液晶を滴下することを特徴とする液晶表示装置の製造方法によって達成される。

【0080】また、上記目的は、基板の表示領域の外側周辺部に紫外線硬化樹脂を塗布してメインシールを形成し、前記メインシールと前記表示領域との間の領域に、紫外線をほぼ透過しない材質の枠状構造物を形成し、前記基板と対向基板とで液晶を挟持して貼り合わせ、前記基板面に対して水平若しくは斜め方向から紫外線を照射して、前記メインシールを硬化させることを特徴とする液晶表示装置の製造方法によって達成される。

【0081】上記液晶表示装置の製造方法において、凹凸構造が形成された基板ステージ上に前記基板を載置し、前記斜め方向から照射される紫外線を前記凹凸構造で前記メインシールに反射させることを特徴とする。

【0082】さらに上記目的は、2つの基板間に挟まれた液晶を封止する光硬化性材料からなるシール剤を備えた液晶表示装置において、前記2つの基板の少なくとも一方の前記シール剤と接触する領域に凹凸構造を有する光反射層が形成されていることを特徴とする液晶表示装置によって達成される。

【0083】またさらに、上記目的は、複数の画素が形成された表示領域の外側に枠状に形成されたシール剤で、対向する2つの基板を貼り合わせて液晶を封止した液晶表示装置において、前記シール剤内方に滴下液晶の拡散を制御する複数の構造物が形成されていることを特徴とする液晶表示装置によって達成される。

【0084】上記本発明の液晶表示装置において、前記複数の構造物は、前記基板上で所定の配置密度あるいは配置形状で基板上に分布していることを特徴とする。

【0085】上記目的は、一方の基板上の複数箇所に液晶を滴下し、減圧下でシール剤を介して他方の基板と貼り合わせてから加圧状態に戻す工程を有する液晶表示装置の製造方法において、前記基板上に滴下液晶の拡散を制御する構造物を形成することを特徴とする液晶表示装置の製造方法によって達成される。

【0086】上記液晶表示装置の製造方法において、枠状に形成された前記シール剤の対角線方向に前記滴下液晶の拡散速度が高くなるように前記構造物の配置密度あるいは配置形状を制御することを特徴とする。

【0087】また、上記目的は、2つの基板間に挟まれた液晶を封止する光硬化性材料を含む枠状に形成されたメインシールを備えた液晶表示装置において、前記メインシールの角部に隣接し、前記メインシール外側で且つ一方の基板の端部より内側となる領域に前記メインシール以上の剥離強度を有する接合物を部分的に配置することを特徴とする液晶表示装置によって達成される。

【0088】さらに、上記目的は、2つの基板間に挟まれた液晶を封止する光硬化性材料を含む枠状に形成されたメインシールを備えた液晶表示装置において、前記メインシールの角部に隣接し、前記メインシール内側かつ表示領域外側となる領域に、セルギャップ相当の厚さを有し遮光用B<sub>M</sub>額線の角部形状に準じたL字型の形状を有する構造物を配置することを特徴とする液晶表示装置によって達成される。

【0089】

【発明の実施の形態】本発明の第1の実施の形態による液晶表示装置及びその製造方法について図1乃至図3を用いて説明する。本実施の形態では、シール剤の硬化不良を減少させて、セル工程での液晶滴下を確実にできる液晶表示装置及びその製造方法について説明する。まず、図1を用いて、本実施の形態による液晶表示装置の液晶表示パネルの概略の構造について説明する。図1(a)は、TFTをスイッチング素子として用いたアクティブマトリクス型の液晶表示パネル1をCF基板側から見た上面の一部を示している。図1(b)は、図1(a)のA-A線で切断した部分断面を示している。液晶表示パネル1のアレイ基板16側にはマトリクス状に配置された複数の画素領域14が形成され、各画素領域14内にはTFT13が形成されている。そして、図1に示すように、複数の画素領域14で画像の表示領域10が構成されている。詳細な図示は省略したが、各画素領域14のTFT13のゲート電極はゲート線に接続され、ドレイン電極はデータ線にそれぞれ接続されている。またTFT13のソース電極は画素領域14内に形成された画素電極に接続されている。複数のデータ線及びゲート線は、アレイ基板16の外周囲に形成された端子部2に接続されて、外部に設けられた駆動回路(図示せず)に接続されるようになっている。

【0090】アレイ基板16よりほぼ端子部2の幅だけ小さく形成されているCF基板4が、所定のセル厚で液晶を封止してアレイ基板16に対向して設けられている。アレイ基板16とCF基板4とは光硬化性樹脂からなるシール剤6で貼り合わされている。シール剤6の光硬化性樹脂は、後程詳説するが青色帯域の波長の光に光反応域を有している。アレイ基板16及びCF基板4間

のシール剤6で囲まれた領域には液晶22が封止されている。

【0091】CF基板4には、コモン電極(図示せず)と共に、カラーフィルタ(図中、R(赤)、G(緑)、B(青)の文字で示している)が設けられている。またCF基板4には、カラーフィルタ形成材料を積層させて遮光機能を持たせたBM8、18が形成されている。BM18は、表示領域10内の複数の画素領域14を画定してコントラストを稼ぐため、及びTFT13を遮光して光リーク電流の発生を防止させるために用いられる。また、BM額縁部8は表示領域10外からの不要光を遮光するために設けられている。BM額縁部8は、図1(b)に示すように、CF基板4から順に、例えば青色の顔料を分散させた樹脂からなる青色着色層24、緑色の顔料を分散させた樹脂からなる緑色着色層26、そして赤色の顔料を分散させた樹脂からなる赤色着色層28を積層して(色版重ねにより)形成されている。図2は、膜厚が約1.3nmの場合の赤色着色層28、緑色着色層26、及び青色着色層24の光透過スペクトルを示しており、横軸は波長を表し、縦軸は透過率を表している。図2に示すように、赤色着色層28の光透過スペクトルのピーク波長は $650 \pm 10$ nm、緑色着色層26の光透過スペクトルのピーク波長は $540 \pm 10$ nm、青色着色層24の光透過スペクトルのピーク波長は $460 \pm 10$ nmである。着色層24、26、28を積層することにより色の三原色が重ね合わされて光を透過させない遮光層が形成される。なお、BM18も図1(b)と同様の色版重ねにより形成される。

【0092】また、図1(b)に示すように、BM額縁部8周囲でシール剤6と接触する領域には、青色着色層24だけが形成されてシール剤6と接触し、緑色着色層26及び赤色着色層28が形成されていない領域20が設けられている。

【0093】このように本実施の形態は、2つの基板4、16間に挟まれた液晶22を封止する光硬化性材料からなるシール剤6と、赤色着色層28と、緑色着色層26と、青色着色層24とを重ね合わせた遮光領域を有する遮光膜8、18とを備えた液晶表示装置1であって、シール剤6と接触する遮光膜8の領域には青色光を透過させる青色着色層24だけが形成され、シール剤6の光硬化性材料は、青色帯域の波長の光に光反応域を有している例えば樹脂材料であることを特徴としている。また、遮光膜8、18の遮光領域を形成する赤色着色層28と、緑色着色層26と、青色着色層24は、各色のカラーフィルタ形成材料を用いていることを特徴としている。

【0094】以上説明した構成を有する本実施の形態の液晶表示装置による作用効果及び装置の製造方法について次に説明する。なお、本実施の形態による液晶表示装置の製造方法は、シール剤の硬化不良を減少させて、セ

ル工程での液晶滴下を確実に行う点に特徴を有している。他のガラス基板上に配線パターンやスイッチング素子等を形成するアレイ工程や、配向処理やスペーサの配置等のセル工程、あるいはドライバICの取付けやバックライト装着などを行うモジュール工程は従来と同様なのでその説明は省略する。

【0095】図3は、本実施の形態によるシール剤6の光硬化性樹脂の光吸収スペクトル( $\beta$ )と青色着色層24の青色透過スペクトル( $\gamma$ )を示し、さらに比較のため従来の光硬化性樹脂の光吸収スペクトル( $\alpha$ )を示している。横軸は波長(単位: nm)を表し、左側の縦軸は本実施の形態による光硬化性樹脂の光吸収スペクトル( $\beta$ )と従来の光硬化性樹脂の光吸収スペクトル( $\alpha$ )を比較するための吸光度(単位無し)を表しており、右側の縦軸は、青色着色層24の青色光透過スペクトル( $\gamma$ )のための透過率(単位: %)を表している。図3に示すように、本実施の形態による光硬化性樹脂は、従来と比較して吸光度のピークの波長が青色透過スペクトル( $\gamma$ )側にシフトしている。また、スペクトルの半値幅が従来と比較して大きく、ピークから緩やかな曲線で比較的広い波長帯域に延びている。このため、本実施の形態による光硬化性樹脂の光吸収スペクトル( $\beta$ )と青色着色層24の青色光透過スペクトル( $\gamma$ )とは図3の斜線で示すように、オーバーラップする波長帯域を有している。

【0096】これにより、本実施の形態による光硬化性樹脂からなるシール剤6は、領域20でBM額縁部8と接触していても、光照射による硬化工程で青色着色層24を透過した青色帯域の光が照射されるため、当該領域は硬化不良を発生させることなく十分に硬化することができる。なお、青色着色層24を用いるのは、既に図2に示したようにカラーフィルタ各色の透過スペクトルにおいて、青色光の透過スペクトルが最も短波長側であり、一般の光硬化性樹脂の吸収スペクトルと近いところにあるからである。

【0097】光硬化性樹脂の光反応域は添加する光開始剤の種類により変わる。本実施の形態では従来より長波長側に吸収域を持つ光開始剤を添加して、青色樹脂透過スペクトルとオーバーラップする波長帯域を有するようにしている。

【0098】この光硬化性樹脂を用いて図1に示した位置関係になるように棒状のシール剤6をアレイ基板16上に形成する。液晶の滴下注入を行った後、CF基板4をアレイ基板16と貼り合わせる。このとき、BM額縁部8の青色着色層24とシール剤6の少なくとも一部が領域20において重なる。この状態で、CF基板4面上方から光30を照射してシール硬化を行う。

【0099】このようにBM額縁部8の領域20に青色着色層24のみを設け、青色樹脂透過波長に光反応域を有する光硬化性樹脂をシール剤6の形成材料に用いるこ

とにより、BM額縁部8にシール剤6が接触していても領域20から青色の波長帯域の光32が透過してシール剤6を照射するのでシール剤6の硬化が行われる。図2に示したように青色樹脂の透過波長は460nm近傍をピークにおおよそ380~550nmの範囲にあり、この範囲に光反応域を有する光硬化性樹脂をシール剤6に用いれば、BM領域20にシール剤6が形成されても確実に硬化させることができる。従って、シール剤6の未硬化成分が液晶と長時間接することがなくなり、液晶の汚染を防止できるようになる。その結果、従来、シール剤6の未硬化成分が液晶と長時間接することがなくなり、液晶の汚染を防止できるようになる。その結果、従来、シール剤6の未硬化成分が液晶と長時間接することがなくなり、液晶の汚染を防止できるようになる。その結果、従来、シール剤6の未硬化成分が液晶と長時間接することがなくなり、液晶の汚染を防止できるようになる。

【0100】以上説明したように、本実施の形態による液晶表示装置の製造方法は、光硬化性材料のシール剤6で2つの基板4、16を貼り合わせて液晶22を封止し、シール剤6に光30を照射して硬化させて2つの基板4、16を固定する液晶表示装置の製造方法において、光硬化性材料として、青色帯域の波長の光に光反応域を有する光硬化性樹脂を用い、2つの基板4、16を貼り合わせた際にシール剤6と接触するBM額縁部8の領域20には青色帯域の光を透過させる青色着色層24のみを形成することを特徴としている。また、青色着色層24は、画素に形成される青色のカラーフィルタの形成時に同時に形成されることを特徴としている。このように、領域20に青色着色層24のみを形成することにより、青色帯域の光32は領域20に接触しているシール剤6中に入射することができるようになる。従って、青色帯域の波長の光に光反応域を有する光硬化性樹脂を用いたシール剤6を硬化させることができるようになる。

【0101】次に、本発明の第2の実施の形態による液

輝線ピーク	250nm	313nm(j)	365nm(i)
ガラス	35%	79%	86%
CF	0%	0%	1.5%

表1. カラーフィルタ色版の紫外線透過率を表す表

【0104】次に、表2にカラーフィルタ有無で紫外線照射した場合の液晶電気特性比較を示す。表2において記号“→”は、UV照射の前後の変化を示している。なお、UV光の照射方向は、基板面鉛直方向である。評価セル上方から紫外線を照射すると「CF(カラーフィ

晶表示装置及びその製造方法について表1乃至表3及び、図4乃至図7を用いて説明する。なお、第1の実施の形態と同一の作用機能を有する構成要素には同一の符号を付してその説明は省略する。図4(a)は、本実施の形態による液晶表示装置を対向基板4側から見た状態を示している。図4(b)は、図4(a)の円で囲んだ領域290内の拡大断面図である。第1の実施の形態では説明を省略してきたが、図4に示すように、一般に対向基板4のカラーフィルタ(CF)230が形成された表示領域周囲には遮光用のブラックマトリクス(BM)額縁部108が形成されている。本実施の形態では、対向基板4の表示領域外周囲に形成されるシール剤6の内周側が一部BM額縁部108に重なるようにシール剤6を塗布している点に特徴を有している。具体的には、プレス後のシール剤6の幅(A)が1.0mm程度となるように、またシール剤6端部がBM額縁部108端部からBM額縁部108内方に距離(B)=0.2mm入り込むように対向基板4上にシール剤6を塗布する。そして対向基板4の基板面鉛直上方からUV光を照射してシール剤6の硬化を行う。

【0102】表1を用いてカラーフィルタ(CF)色版の紫外線透過率について説明する。表1に示すCFは、赤(R)、緑(G)、青(B)の三原色の各CFを組合せたものである。シール剤を硬化させるためのUV光源としてキセノン水銀ランプを用いた場合、ガラス基板を透過して入射するUV光で特に液晶を劣化させる輝線ピークは表1に示すように、j線(313nm)およびi線(365nm)である。カラーフィルタの色版はj線、i線を殆ど透過せず(透過率1~2%)、BMはj線もi線も透過させない。

【0103】

【表1】

ルタ)なし」では液晶の電気特性の劣化が顕著であるのに対し、「CFあり」では殆ど影響を受けていない。

【0105】

【表2】



	イオン密度 ( $\text{pc}/\text{cm}^2$ )	電圧保持率 (%)
CFなし	20→463	98.9→88.2
CFあり	18→35	98.9→98.9

表2. CFの有無による液晶電気特性を表す表

【0106】従ってカラーフィルタをUV光に対する遮光マスクとして用いれば液晶のダメージを抑えることができ、シール剤6の形成パターン毎に別途遮光マスクを用意する必要はなくなる。また、シール剤6端部がBM額縁部108内に重なっているため、シール剤6端部とBM額縁部108端部との間から液晶22が露出することもないので液晶に直接UV線が照射されることもなく、液晶の劣化を防止することができる。従って、表示ムラのない高品質画像表示を行うことができるようになる。さらに、滴下注入におけるパネル外形寸法の拡大を抑制することができる。

【0107】一方、比較例として従来の液晶表示装置を図5に示す。図5(a)は、従来の液晶表示装置を対向基板200側から見た状態を示している。図5(b)は、図5(a)の円で囲んだ領域292内の拡大断面図である。本比較例では、対向基板200の表示領域外周に形成されるシール剤202の内周側とBM額縁部108との間に隙間220が形成され、ガラス基板を通して内部の液晶が見える状態になっている。具体的には、プレス後のシール剤6の幅(C)が1.0mm程度となるように、またシール剤6端部とBM額縁部108端部との間が距離(D)=0.5mmとなるように対向基板200上にシール剤202を塗布する。そして対向基板200の基板面鉛直方向からUV光を照射してシール剤202の硬化を行う。その結果、本比較例ではUV照射の際に液晶層が露出しているためシール剤全周に液晶光劣化による表示むらが発生してしまう。また、シール剤6端部とBM額縁部108端部との距離(D)がパネル外形サイズを小さくするための妨げとなっている。

【0108】上記実施形態ではシール剤6とBM額縁部108の重なり距離は(B)=0.2mmとしている。が、重なり距離は(B)=0.5mm程度まで長くする

ことが可能である。一般に、シール剤6とBM額縁部108の重なりが大きくなるとシール剤6端部は光硬化しなくなる。光開始剤に光照射すると開裂した活性種は拡散するため、ある程度の重なり距離であれば遮光部があってもシール剤6は硬化することができる。またシール剤6下面に金属膜が存在していると光硬化樹脂を透過した光が金属膜で多重反射してUV光のエネルギーが有効に利用される。これは第1の実施の形態と同様である。さらに、UV光を斜めに入射させて重なった領域のシール剤6にもUV光が直接届くようにすれば、重なり距離(B)は0.5mm程度にまですることができるようになる。

【0109】表3にシール遮光距離と硬化性の比較を示す。光硬化樹脂にはアクリル系樹脂を用い、滴下注入でセルを作製して一部シール剤6を遮光して対向基板4の基板面鉛直方向および斜め45°方向からUV光を照射して光硬化を行った結果である。硬化性の比較はアニール後のシール剤配向観察および液晶電気特性の測定により行っている。測定結果から鉛直方向からの照射だけでは硬化可能な遮光距離は(B)=0.2mm程度である。第1の実施の形態で説明したようにアレイ基板16に光反射層(金属膜)があるとシール剤6内を通過したUV光がそこで反射して再びシール剤6の硬化に供されるため、硬化可能な遮光距離は(B)=0.3mm程度になる。アレイ基板16に光反射層があり、且つ斜め45°からUV光を入射させると硬化可能な遮光距離は(B)=0.5mm程度になる。表3において、配向乱れが生じたり、あるいは電圧保持率の低下が1%以上になった場合を光硬化不良とみなしてXで示し、硬化性良の場合はOで示している。

【0110】

【表3】

遮光距離	シール下	照射方向	硬化性
0.0mm	ガラス	鉛直	O
0.2mm	ガラス	鉛直	O
0.3mm	ガラス	鉛直	X
0.3mm	金属膜	鉛直	O
0.5mm	金属膜	鉛直	X
0.5mm	金属膜	斜め45°	O

表3. シール遮光距離と硬化性の関係を示す表

【0111】次に、シール剤6とBM額縁部108の重なり距離(B)に関して改良した構造について図6を用いて説明する。図6は、パネルの左上部を対向基板4側から見た状態を示している。図6に示すように、一般にシール剤6はパネル角部で円弧状に曲がって形成されている。このため本例では、BM額縁部108の角部もシール剤6の曲がりに沿って円弧状に曲げている。具体的には、幅1mmのシール剤6がパネル角部において円弧状に曲げられており、それに伴って、シール剤6端と0.5mmの幅で重なっているBM額縁部108の端部も半径1mmの円弧状に曲げて形成されている。

【0112】これに対する比較例として図7を示す。図7に示すBM額縁部108の角部は、シール剤の円弧状の曲がりと無関係に直線状に直角に曲がっている。従って、図示の通りシール剤6とBM額縁部108との重なりが0.9mmになってしまう領域が生じている。このような領域のシール剤6は、表3からも明らかなようにUV光を照射しても硬化しないので、表示領域の四隅に表示ムラが発生してしまう可能性を有している。

【0113】このようにBM額縁部108角部のシール剤6との重なり幅を図6に示すように所定範囲内にし、シール剤6とBM額縁部108との重なり領域をパネル全周でほぼ同等にすることにより、パネル全周のシール剤6を十分硬化させて表示ムラのない高品質の画像を表示できるようになる。

【0114】次に、本発明の第3の実施の形態による液晶表示装置及びその製造方法について図8及び図9を用いて説明する。なお、第1及び第2の実施の形態と同一の作用機能を有する構成要素には同一の符号を付して用い、その説明は省略する。図8はBM額縁部108に設けられた本実施の形態によるトランスファ233を示している。図9は比較のために従来と同様のトランスファを備えたBM額縁部108近傍を示している。図9に示す従来のトランスファ231はシール剤6近傍のBM額縁部108内に形成されている。本実施の形態によるトランスファ233も従来と同様にシール剤6近傍のBM額縁部108内に形成されている。各トランスファ231、233ともトランスファパッド232、234を介して両基板に電気的に接続されている。

【0115】図8に示すトランスファパッド234上のBM領域には、細長い四角形状のスリット236が複数開口している。スリット236の長辺の長さ(H)は約1.0mmであり、短辺の長さ(I)は約0.2mmである。隣り合うスリット236の間隙の長さ(J)は0.2~0.8mmである。トランスファ233にはニッケル(Ni)を蒸着した黒色導電スペーサが添加されている。図9に示す従来のトランスファ231上にはスリットは形成されておらずBM膜で遮光されている。

【0116】UV照射の方法は既に説明した上記実施の形態と同様である。UV照射の結果、従来例ではトラン

スファ231の硬化不良による表示ムラが発生した。本実施の形態においても、隣り合うスリット236の間隙の長さ(J)が0.6mm以上では従来例よりは良好であるがトランスファ233の光硬化不良による表示ムラが発生した。スリット236の間隙の長さ(J)が0.4mm以下では表示ムラの発生もなく、バックライトからの光漏れも発生しなかった。

【0117】トランスファ233をシール剤6の外側に形成することも可能だが、そうするとパネル外形寸法が拡大するため、狭額縁パネルではトランスファ233をシール剤6の内側に形成する必要がある。この場合トランスファ233はBM額縁部108内に形成することになり、光硬化不良が発生する可能性が高い。そこで本実施の形態による液晶表示装置のように、BM額縁部108のトランスファ領域にスリット236等の光透過窓を設け、トランスファ233には上記の黒色導電スペーサ等の着色粒子を添加する。こうすることによりトランスファ233の光硬化不良はなくなり、またトランスファ233に黒色または濃色の導電粒子を混入することにより光透過窓からの光漏れを抑えることができる。

【0118】なお、上述のように、光透過窓の形状をほぼ四角形状のスリットとし、隣り合うスリット間隙の間隙の長さ(J)が0.4mm以下になるよう配置することが望ましい。また、トランスファ233内の着色粒子だけでは光透過窓の遮光が不十分な場合は光透過窓を全面透過にする必要はなく、ほぼ四角形状のスリットであってもその間隙が活性種の拡散距離以内であれば光硬化可能となる。光開裂した活性種の拡散距離は通常0.2mm程度であることから、隣り合う両スリットからの拡散を考慮してもスリット間隙の長さ(J)は0.4mm以下が望ましい。なお、本実施の形態ではトランスファ233に着色粒子を混合しているため、UV光はトランスファ233を殆ど透過せず、前述の多重反射による光の回り込みによる硬化は殆ど期待できない。

【0119】また、光透過窓の形状をほぼ円形状のドットとし、その間隙の長さ(J)が0.4mm以下となるように配置してもよい。上述と同様に円形状のドットであっても隣り合うドットの間隙の長さが活性種の拡散距離以内であれば光硬化可能であり、他のBM額縁領域と殆ど同じ外観を得ることができる。

【0120】次に、本発明の第4の実施の形態による液晶表示装置及びその製造方法について図10及び図11を用いて説明する。なお、第1乃至第3の実施の形態と同一の作用機能を有する構成要素には同一の符号を用いてその説明は省略する。本実施の形態はシール剤6にUV光を照射するUV光源に特徴を有し、シール剤6の形状に準じた形状のライン(線状)光源を光照射に用いている。光硬化樹脂を光硬化させるには硬化照度以上の光を照射する必要がある。紫外線硬化樹脂の場合50~100mW/cm<sup>2</sup>程度の照射照度が必要である。従来の

光源による面照射でこの照度を得るにはランプ出力を大型化しなければならず実用的でない。本実施の形態による構成ではシール剤の所定領域のみに光照射がされるためランプ出力を抑えることができ、また一括照射ができるので基板位置ずれの発生も少ない。

【0121】図10(a)は、本実施の形態のUV光源及びその使用状態を示す斜視図であり、図10(b)は図1(a)のA-A線で切断した断面の一部を示している。図10に示すUV光源64は、アレイ基板16と対向基板4との貼り合わせ基板62上方に所定距離だけ離れて位置し、貼り合わせ基板62の基板面とほぼ平行な平面上にシール剤6の枠形状と相似形でシール剤6の外側に一回り大きく配置されたライン発光源66を有している。

【0122】図10(b)に示すように、シール剤6上面は幅XだけBM額縁部108の内側に入り込んでいる。ライン発光源66から射出するUV光は、シール剤6上面でBM額縁部108と重なっていない領域からシール剤6内部に入射するようになっている。このときの入射角度 $\theta$ はほぼ $45^\circ$ である。このような構成にするとランプ光源64をシール剤6に近づけることができる。従って、数百Wの低いランプ出力で従来と同等の光量で光照射ができるようになる。さらに、貼り合わせ基板62の一部だけを照射するので、照射による貼り合わせ基板62の温度上昇も低く抑えることができ、熱膨張によるアレイ基板16と対向基板4との位置ずれも $3\mu\text{m}$ 以内に抑えることが可能になる。

【0123】このように本実施の形態のUV照射光源64によれば、シール剤6塗布面に対し、BM額縁部108外側斜め方向(例えば斜め $45^\circ$ )から光照射するのでUV光がBM額縁部108下方まで回り込むことができる。従って、シール剤6とBM額縁部108の重なりXを0.8mm程度にまで拡大させることが可能になる。そのため、パネル外形寸法をさらに縮小することができる。シール剤6下面に金属膜が存在する場合には、斜め照射によるUV光の多重反射が得られるため、シール剤6とBM額縁部108の重なりXをさらに拡げることができる。なお、斜め照射によりBM額縁部108下方への光の回り込み量は大きくなるがシール剤6塗布面への照射強度は鉛直方向のそれよりも弱くなる。斜め照射による光回り込み量とシール剤塗布面での照射強度はトレードオフの関係にあり、ほぼ斜め $45^\circ$ からの照射が最も効率を上げることができる。

【0124】比較のため図11に従来のUV照射光源70を示す。図11に示す従来光源70による面照射は、 $100\text{mW}/\text{cm}^2$ の紫外線照度を得るには数kWの高いランプ出力が必要となる。貼り合わせ基板62は全面照射されるために加熱されて高温になり $7\sim 10\mu\text{m}$ 程度の位置ずれが発生してしまう。

【0125】本発明の第5の実施の形態による液晶表示装置を図12乃至図16を用いて説明する。まず、本実施の形態による液晶表示装置の概略の構成を図12を用いて説明する。図12(a)は、TFTをスイッチング素子として用いたアクティブマトリクス型の液晶表示パネル1をCF基板側から見た上面の一部を示している。図12(b)は、図12(a)のA-A線で切断した部分断面を示している。液晶表示パネル1のアレイ基板16側にはマトリクス状に配置された複数の画素領域14が形成され、各画素領域14内にはTFT(図示せず)が形成されている。複数の画素領域14で画像の表示領域10が構成される。詳細な図示は省略したが、各画素領域14のTFTのゲート電極はゲート線に接続され、ドレイン電極はデータ線にそれぞれ接続されている。またTFTのソース電極は画素領域14内に形成された画素電極に接続されている。複数のデータ線及びゲート線は、アレイ基板16の外周囲に形成された端子部2に接続されて、外部に設けられた駆動回路(図示せず)に接続されるようになっている。

【0126】CF基板4は、アレイ基板16よりほぼ端子部2の幅だけ小さく形成されて、所定のセル厚で液晶22を封止してアレイ基板16に対向して設けられている。アレイ基板16とCF基板4とは光硬化性樹脂からなるメインシール6で貼り合わされている。図中2本の破線で示された幅6'は、メインシール6塗布時の幅を示している。メインシール6と表示領域10との間の領域にはメインシール6と液晶22とを分離する枠状構造物12が形成されている。アレイ基板16及びCF基板4間の枠状構造物12で囲まれた領域には液晶22が封止されている。

【0127】CF基板4には、コモン電極(図示せず)と共に、カラーフィルタ(図中、R(赤)、G(緑)、B(青)の文字で示している)が設けられている。またCF基板4には遮光機能を有するBM額縁8及びBM18が形成されている。BM額縁8は表示領域10外からの不要光を遮光するために設けられている。BM18は、表示領域10内の複数の画素領域14を画定してコントラストを稼ぐため、及びTFTを遮光して光リーク電流の発生を防止させるために用いられる。

【0128】枠状構造物12の外周端は、アレイ基板16面に垂直な方向から見てBM額縁8の外周端とはほぼ一致するように配置されている。従って、メインシール6内側周端部がBM額縁8外側周端部に隣接して形成されても、貼り合せ後においてメインシール6が枠状構造物12を乗り越えない限りメインシール6内側周端部がBM額縁8外側周端部と重なることはない。従って、BM額縁8によるUV光の遮光は生じないのでメインシール6の硬化不良は発生しなくなる。なお、メインシール6の硬化特性によっては、ある程度の遮光領域があっても反応活性種が拡散して硬化できる場合があるので、反応

活性種の拡散距離程度の幅の遮光領域がBM額縁8で生じて問題とならない。例えば、基板貼り合わせ後のメインシール6の幅が1~2 $\mu$ mである場合、BM額縁8により幅200 $\mu$ m程度が遮光されていても問題とならない。

【0129】このように本実施の形態による液晶表示装置は、液晶22を挟持して対向する2枚の基板16、4の表示領域10の外側周辺部で基板16、4を貼り合わせるメインシール6と、メインシール6と表示領域10との間の領域に形成された枠状構造物12及びBM額縁8とを有しており、枠状構造物12の外周端とBM額縁8の外周端とが、基板16面に垂直な方向から見てほぼ一致するように形成されていることを特徴とする。この構成により、塗布したメインシール6'が基板16、4の貼り合わせ後に広がってメインシール6となった際に、その一部がBM額縁8外側周辺部に入り込んでしまうことがなくなる。従って、メインシール6の一部にUV光が到達せず硬化不良を起こしてしまう現象を防止して、容易に剥離しないメインシール6を得ることができる。また、メインシールの塗布位置をBM額縁8外側周辺部近傍にすることができるため、額縁領域の拡大を抑制してガラス基板面を効率よく利用することができるようになる。

【0130】次に、本実施の形態による液晶表示装置の変形例に係る構造について図13を用いて説明する。図13(a)、(b)は、図12(a)のA-A線で切断した部分断面を示している。図13(a)は、アレイ基板16の表示領域10及び枠状構造物12との対向面に垂直配向膜14が形成されている状態を示している。また、図13(b)では、枠状構造物12端面表面に垂直配向膜13が形成されている状態を示している。図13(a)、(b)のいずれにも表示領域10内で所定のセル厚を得るための柱状のスペーサ15が形成されている。

【0131】また、図13(a)、(b)共、枠状構造物12はスペーサ15のほぼ半分以上の高さを有している。上述のようにセル厚相当の枠状構造物12を周縁に設けただけでは、滴下注入において液晶が枠状構造物12を乗り越えてしまう。ところが、枠状構造物12表面に垂直配向膜13を形成するか、枠状構造物12の対向面に垂直配向膜14が存在すると、垂直配向膜13、14により液晶22のぬれ性は低下し、メインシール6の硬化までの間に液晶22が枠状構造物12とアレイ基板16との間隙を乗り越えてメインシール6に到達しないようにすることができる。なお、時間をかければ液晶22はメインシール6に到達するが、枠状構造物12の高さが表示領域10内のスペーサ15の高さの半分以上(例えばセル厚が4 $\mu$ mとして約2 $\mu$ m程度)あれば、液晶22が枠状構造物12を乗り越えてメインシール6に到達するのに数十分の時間を要する。その間にメイン

シール6を硬化させれば液晶22が汚染されることはない。

【0132】また、メインシール6は、ギャップ出し後においてその内側周端部が枠状構造物12の外側周端部を乗り越えない位置に形成する必要がある。さらに、メインシール6はギャップ出し後においてその内側周端部が枠状構造物12の外側周端部に隣接する位置に形成することが望ましい。メインシール6を枠状構造物12に近づけすぎて塗布するとギャップ出しの過程でメインシール6の内側周端部が枠状構造物12外側周端部を乗り越えてしまい、シール剤の硬化不良やセル厚異常が発生する原因となる。一方、メインシール6と枠状構造物12間に間隙があると、パネル額縁領域が拡大してガラス基板面を有効活用できない恐れが生じたり、急激な温度変化を受けて液晶表示パネルが膨張収縮した際に間隙部の真空空間が表示領域10内に入り込んだりする可能性が高くなる。

【0133】次に、本実施の形態による液晶表示装置の他の変形例に係る構造について図14を用いて説明する。図14(a)は、TFTをスイッチング素子として用いたアクティブマトリクス型の液晶表示パネル1をCF基板側から見た上面の一部を示している。図14(b)は、図14(a)のA-A線で切断した部分断面を示している。図12及び図13に示した液晶表示装置と同一の構成要素については同一の符号を付してその説明は省略する。

【0134】図14に示す液晶表示装置は、メインシール6内側かつ表示領域10外側となる領域にメインシール6と液晶22とを分離する枠状構造物12が形成され、メインシール6外側となる領域にメインシール6とその外周部を分離する第2の枠状構造物12'が形成され、そして枠状構造物12、12'でメインシール6両側を囲うように構成されている。メインシール6外側に枠状構造物12'を設けるのはメインシール6を加圧し易くするためであり、メインシール6両側から加圧することによりメインシール6のギャップ出しが容易に行えるようになる。

【0135】枠状構造物12および12'は表示領域10のスペーサ15の半分以上の高さを有し、枠状構造物12表面若しくはその対向領域に垂直配向膜13又は14(図14では垂直配向膜13を表示している)が形成されている。この垂直配向膜13又は14を形成するのは図13を用いた上述の変形例と同様の理由による。また、メインシール6の接着強度が低下してシール剥離が生じるのを防止するため、垂直配向膜14は、枠状構造物12を越えてメインシール6と重ならないように形成することが望ましい。

【0136】また、枠状構造物12と12'の間隙距離はギャップ出し後のメインシール6の幅以上で望ましくはほぼ同等にし、メインシール6はギャップ出し後にそ

の内側及び外側周端部が枠状構造物12の外側周端部及び枠状構造物12'の内側周端部を乗り越えない位置、望ましくは隣接する位置に配置する。

【0137】また本変形例は、枠状構造物12と12'の一部若しくは全部をBM額縁8内に形成し、枠状構造物12と12'の間隙部にはBMを形成しないようにした点に特徴を有している。BM額縁8内に枠状構造物12、12'を設け、その間隙部すなわちメインシール6の塗布領域を開口してUV照射できるようにすればメインシール6を完全に硬化できると共に従来BM額縁8外に必要であったメインシール6の形成領域は必要なくなる。

【0138】また、枠状構造物12はUV波長をほぼ透過しない樹脂材を用いて形成することが望ましい。滴下注入ではUV光が遮光されないようにメインシールエリアに金属膜がないCF基板側からUV照射を行う。通常、表示領域10にはマスクを被せるが、UV光の一部はアレイ基板16上に形成された金属膜で反射されて表示領域10側に入り込んでしまう。これは多重反射による光入射または光の回り込みと呼ばれる現象であり、この光により液晶22が光分解してしまうことによりシール際に表示不良が発生する。そこで枠状構造物12にUV波長をほぼ透過しない樹脂材を用いれば多重反射成分は枠状構造物12に吸収され、シール際の液晶22にUVが照射されることはなくなり、液晶22の劣化を防止できる。

【0139】以上説明した構成は、液晶表示装置の製造工程で滴下注入法を用いる場合に最も効果が大きく、遮光によるメインシール6の硬化不良を防止し、また、未硬化のメインシール6と液晶22との接触を防止し、メインシール6の硬化時のUV光が液晶22に照射されるのを防止するという顕著な効果を滴下注入法で得ることができるようになり、滴下注入の信頼性を飛躍的に向上させることができるようになる。

【0140】また、滴下注入を用いた場合において、図16に示すように、基板16、4の貼り合わせ後、液晶22の液晶境界23が枠状構造物12に達する前に枠状構造物12を圧力Pで加圧して枠状構造物12近傍のギャップ出しを行う。これにより液晶22が枠状構造物12上に進入するのを防ぐと共にメインシール6のギャップ出しに要する時間を大幅に短縮することができるようになる。次に本実施の形態による液晶表示装置の製造方法を実施例を用いて説明する。

【0141】【実施例1】CF基板上に顔料を分散させた着色樹脂膜（赤/JSR（日本合成ゴム）製）を均一塗布し、表示領域10のスペーサ15と枠状構造物12をフォトリソグラフィ工程によりパターンニングする。パ

ターンの高さは表示領域10のスペーサ15が4.0μmであり、枠状構造物12は、4.0μm（実施例A）、3.0μm（実施例B）、2.0μm（実施例C）の3種類形成する。また、スペーサ15は表示領域10の非画素領域に形成し、枠状構造物12はメインシール6内側かつ表示領域10外側となる領域であって、BM額縁8の外側周端部と枠状構造物12の外側周端部とがアレイ基板16表面に垂直な方向から見てほぼ一致するように形成する。

【0142】また、比較例Aとして枠状構造物12の外側周端部がBM額縁8の内方に0.5mm入り込んだものを作製する。CF基板4及びアレイ基板16上に垂直配向膜（JSR製）14を形成する。垂直配向膜14は、アレイ基板16表面に垂直な方向から見て枠状構造物12の外周部とほぼ一致するように形成する。また、比較例Bとして枠状構造物12表面およびその対向領域に垂直配向膜が形成されていないものを作製した。

【0143】メインシール（協立化学製）6はギャップ出し後にその内周辺と枠状構造物12の外周辺が隣接するように塗布する。本実施例ではギャップ出し後のメインシール幅が1mmになることからシールラインを枠状構造物12の外周辺から0.5mm離れた。比較例Cではシールラインを枠状構造物12の外周部から2.0mm離している。

【0144】枠状構造物12内周とパターン高さから求める液晶22の必要体積分を表示領域10上に滴下し、真空中で基板16、4の貼り合せを行う。貼り合せ後大気圧に戻し、液晶拡散およびギャップ出しを行う。ギャップ出し後に液晶22がほぼ表示領域10内に拡散するのを確認してから、CF基板4上方からUV照射を行い、メインシール6を硬化させる。この貼り合せ基板をスクライブ、ブレイクし、液晶表示パネルが完成する。液晶表示パネルは100°Cで1時間加熱（アイソトロピック処理）後、点灯検査およびシール剥離試験を行う。

【0145】試験結果を表4に示す。比較例Aではシールコーナ部の円弧部分によりBM額縁8との重なり（遮光領域）ができ、硬化不良による表示ムラとシール剥離が発生している。比較例Bでは貼り合せ後に一部の液晶22が枠状構造物12を乗り越えて未硬化のメインシール6と接し、その周辺部から表示ムラが発生する。比較例Cでは表示ムラはないものの加熱後にコーナ部で真空空泡が発生する。それに対し実施例A、B、Cではいずれの不具合も発生しない。

【0146】

【表4】

	備 考	点灯試験	剥離試験
比較例A	コーナ部遮光 他は実施例Aに同じ	コーナ部及び周辺部 で表示ムラ	1.5 kgf/mm以下で 剥離
比較例B	垂直配向膜なし 他は実施例Aに同じ	周辺部で表示ムラ	1.5 kgf/mmで剥離 なし
比較例C	シール間隙有 他は実施例Aに同じ	コーナ部で真空空泡	1.5 kgf/mmで剥離 なし
実施例A	比較例ABCの改善 構造物高さ4 $\mu$ m	良好	1.5 kgf/mmで剥離 なし
実施例B	比較例ABCの改善 構造物高さ3 $\mu$ m	良好	1.5 kgf/mmで剥離 なし
実施例C	比較例ABCの改善 構造物高さ2 $\mu$ m	良好	1.5 kgf/mmで剥離 なし

表4. 比較例A~Cと実施例A~Cのパネル試験結果

【0147】[実施例2] CF基板4上に顔料を分散させた着色樹脂膜(赤/JSR製)を均一塗布し、表示領域10のスペーサ15と枠状構造物12および12'をフォトリソグラフィ工程によりパターンニングする。パターン高さは表示領域10のスペーサ15が4.0 $\mu$ mであり、枠状構造物12、12'は4.0 $\mu$ m(実施例D)、3.0 $\mu$ m(実施例E)、2.0 $\mu$ m(実施例F)の3種類形成し、パターン大きさはスペーサ15は10 $\mu$ m $\square$ 、枠状構造物12および12'は0.75mm幅でメインシール6と相似形である。パターン位置はスペーサ15では表示領域10の非画素領域とし、枠状構造物12はメインシール6内側かつ表示領域10外側となる領域に、枠状構造物12'は枠状構造物12から1mm離している。本実施例ではBM額縁8の幅は2.5mmであり、枠状構造物12および12'の全部が上記領域内に収まるようにした。これにより従来BM額縁外にあったメインシールエリアをなくすことができ、片側1mm、パネル寸法で2mmの狭額縁化が実現でき

る。

【0148】その後CF基板4およびアレイ基板16上に垂直配向膜(JSR製)14を枠状構造物12の外周と面一となるよう形成した。また比較例Dとして枠状構造物12の外周およびその対向領域まで垂直配向膜14を形成したものを作製した。メインシール(協立化学製)6はギャップ出し後にその内外周と枠状構造物12および12'の内外周と隣接するよう塗布した。以下実施例1と同様の手法により液晶表示パネルを完成させてパネル試験に供した。

【0149】試験結果を表5に示す。比較例Dではメインシール6下に垂直配向膜14が形成されているために接着強度がガラス面より弱く、シール剥離が発生した。それに対し実施例D、E、Fではシール剥離が発生しなかった。

【0150】

【表5】

	備 考	点灯試験	剥離試験
比較例D	シール下配向膜有 他は実施例Dに同じ	良好	1.5 kgf/mm以下で剥離
実施例D	比較例Dの改善 構造物高さ4 $\mu$ m	良好	1.5 kgf/mmで剥離なし
実施例E	比較例Dの改善 構造物高さ3 $\mu$ m	良好	1.5 kgf/mmで剥離なし
実施例F	比較例Dの改善 構造物高さ2 $\mu$ m	良好	1.5 kgf/mmで剥離なし

表5. 比較例Dと実施例D~Fのパネル試験結果

【0151】[実施例3] CF基板4上に顔料を分散させた着色樹脂膜(赤/JSR製)を均一塗布し、表示領域10のスペーサ15と枠状構造物12をフォトリソグ

ラフィ工程によりパターンニングする。また比較例Eとして透明樹脂(JSR製)で同様のパターンを作製する。パターン高さは共に4.0 $\mu$ mとし、以下実施例1と同

様の手法により液晶表示パネルを完成させてパネル試験に供する。

【0152】図15に比較例Eと実施例GのUVスペクトルを示す。図15において横軸は波長を表し、縦軸は透過率を表している。比較例E(図15の曲線(β))ではUV波長のうち300nm以上の長波長側の光は透過するが、実施例G(図15の曲線(α))の着色樹脂では殆ど透過しないことが分かる。パネル試験結果を表

6に示す。比較例Eではシール硬化時のUV照射で発生した多重反射光成分が透明樹脂を介して表示領域10内に入り込むため液晶22が光分解を起こし、全周に表示ムラが発生する。それに対し実施例Gでは表示ムラは発生しない。

【0153】

【表6】

	備 考	点灯試験	剥離試験
比較例E	前記構造物に透明樹脂 他は実施例Gと同じ	全周に表示ムラ	1.5kgf/mmで剥離 なし
実施例G	比較例Eの改善	良好	1.5kgf/mmで剥離 なし

表6. 比較例Eと実施例Gのパネル試験結果

【0154】[実施例4]CF基板4上に顔料を分散させた着色樹脂膜(赤/JSR製)を均一塗布し、表示領域10のスペーサ15と枠状構造物12をフォトリソグラフィ工程によりパターンニングする。パターン高さは共に4.0μmとし、以下実施例1と同様の手法により真空中で貼り合せを行う。大気解放後液晶22およびメインシール6が枠状構造物12に達する前に枠状構造物12部分を1.0kgf/cm<sup>2</sup>で加圧して枠状構造物12のギャップ出しを行う。また比較例Fとして大気開放のみで部分加圧を行わないものを作製する。ギャップ出し後に液晶22がほぼ表示領域10内に拡散する時間を測定し、以下実施例1と同様の手法により液晶表示パネルを完成させる。100℃で1時間加熱(アイソトロピ

ック処理)した後シール近傍のセル厚測定を行う。

【0155】結果を表7に示す。液晶表示パネルに15インチ相当の画面の大きさのものを用いているが液晶22がほぼ表示領域10内に拡散するのに比較例Fでは10分程度を要する。またセル厚は面内で4.0~4.1μmであるがシール近傍のそれは+0.1~0.2μm厚くなっている。液晶滴下量をさらに減らせばこの差を減らすことができるが、それには液晶が面内にほぼ拡散するのに数十分を要してしまい現実的でない。それに対し実施例Hでは液晶拡散時間は3分程度に短縮され、セル厚も面内と同程度になっている。

【0156】

【表7】

	備 考	液晶拡散時間	セル厚
比較例F	大気解放のみでギャップ出し	~10分	4.2~4.3μ m
実施例H	大気解放後枠状構造物を部分加圧	~3分	4.0~4.1μ m

表7. 比較例Fと実施例Hの比較

【0157】このように、本実施の形態によれば、真空注入法や滴下注入法を用いても歩留まり良く液晶表示パネルを製造できるようになるため、液晶表示パネルのさらなるコストダウンを実現してCRTの代替の表示装置として市場規模を拡大することができるようになる。

【0158】次に、本発明の第6の実施の形態による液晶表示装置及びその製造方法を図17乃至図24を用いて説明する。液晶表示パネルの周縁部にはブラックマトリクス(BM)が形成されており、シール塗布位置にマージンがないと貼り合わせ後にシールの一部がBM額縁端と重なってしまう。基板鉛直方向から紫外線を照射するとBM額縁と重なった部分は紫外線が遮光されるためシールは硬化できなくなる。この部分ではシールの接着強度が低下し、シール剥離が発生する。またシールは未

硬化のまま残るため、温度変化により液晶パネルが膨張収縮した場合シール成分が液晶中に溶出し、シール際の電圧保持率が低下する。シール塗布位置をBM額縁端から十分離せばこのような不具合は発生しないが、額縁エリアが拡大するため適当ではない。

【0159】本実施の形態では以下の方法を用いることにより上記課題を解決している。

(1)メインシールに紫外線硬化樹脂を用い、メインシール内側かつ表示領域外側となる領域にパネル厚相当の高さで紫外線をほぼ透過しない枠状構造物を形成する。少なくともメインシールに基板面水平もしくは斜め方向の紫外線を照射してシール硬化を行う。枠状構造物の高さをパネル厚相当とし、紫外線吸収性を持たせればシールを透過した紫外線の一部(特に短波長成分)もしくは

全部が液晶層に照射されなくなるため、メインシールに基板面水平もしくは斜め方向の紫外線を照射しても液晶は劣化しなくなる。これにより従来基板鉛直方向からみて遮光されていた部分にも紫外線が照射できるためシールを完全硬化できる。

【0160】(2)メインシールに対して基板面水平もしくは斜め方向から紫外線を照射する。またそれと共に基板面鉛直方向からも紫外線照射する。これらの方向から最も容易に紫外線照射することができる。また、照射面から遠ざかると紫外線は樹脂に吸収されて低照度になり、シール材料によっては上記方向からの紫外線照射のみでは十分な硬化物性が得られない場合がある。これは低照度になると反応性の低いシール成分は硬化し難くなるためである。そこでこのようなシールでは該方向に紫外線照射すると共に基板面鉛直方向からも紫外線を照射する。シール膜厚の薄い基板面鉛直方向では照度があまり低下しないため反応性の低いシール成分も硬化し、十分な硬化物性が得られるようになる。

【0161】(3)メインシールに基板斜め方向の紫外線を照射し、メインシール下となる領域形成した反射膜により照射方向からみて遮光される部分に紫外線を反射させる。シール塗布位置が基板辺から離れている場合や多面取りのように基板辺以外にもメインシールがある場合、また基板辺とメインシールの間にダミーシールがある場合該方向から紫外線を照射するだけではシールを完全硬化させることができない。そこでメインシール外側から該方向に紫外線を照射し、該反射膜で照射方向から遮光される部分に紫外線を反射させればシールを完全硬化できる。

【0162】平面構造の反射膜では照射角度によって紫外線が回り込み難い領域が発生するため、照射角度を広くとって遮光部全てに紫外線を反射させる必要がある。そこで該反射膜下に凹凸構造を設け、その傾斜角を制御して反射光に指向性を持たせれば特定の照射角度の紫外線を効率よく遮光部に反射できるため上記のように照射角度を広く取る必要はない。

【0163】(4)反射膜の形成をTFT基板への金属膜形成と一括して行う。TFT基板にゲートバスラインやデータバスラインを形成する場合、一般的にAl(アルミニウム)等の金属を用いて成膜を行う。このときにシール塗布領域にも金属膜を一括形成すれば工程を新たに増やさなくて済む。この場合紫外線はCF基板側から照射して、TFT基板上の金属膜上で反射させる。

【0164】(5)紫外線照射を行う際の基板ステージ上かつメインシール下となる領域に凹凸構造を持った反射物を設け、その傾斜角を制御しても紫外線を効率よく遮光部に反射できる。この場合シールパターンに応じた凹凸構造を基板ステージ上に作り込む必要があるが、基板一枚毎に凹凸構造や反射膜を作り込む必要がなくなる利点が生まれる。これにより工程を新たに増やすことな

く、特定の照射角度の紫外線を効率よく遮光部に反射させることができる。

【0165】(6)メインシールに基板面水平もしくは斜め方向の紫外線を照射する手段としてメインシール中に紫外線を散乱する粒子を分散させ、当該粒子により紫外線を所定方向に散乱させる。紫外線を散乱する粒子にはフィラーのようなマイクロン、サブマイクロンオーダーの微粒子を選択し、その表面に金属膜もしくは金属酸化物膜をコーティングして散乱性を持たせる。この粒子に紫外線が照射されると紫外線の全部もしくは一部が散乱して所定方向に伝播する。

【0166】(7)枠状構造物の形成をCF基板への色版形成と一括して行い、枠状構造物の形成領域に色版を積層する。CF色版にはRGBの着色樹脂を用いるが、着色樹脂は紫外線を殆ど透過しない。CF基板への色版形成はフォトリソグラフィ工程により着色樹脂を各色版領域に順次パターニングする。このときに構造物の形成領域にも各色版をパターニングして積層すれば工程を新たに増やすことなく構造物を形成できる。

【0167】(8)メインシールは、基板貼り合わせ後にその内周辺と枠状構造物外周辺が隣接する位置に形成され、メインシール内周辺と枠状構造物外周辺を接着させる。これによりメインシールの固定面を上下基板界面と構造物界面の3面にできるため接着強度を強くすることができる。

【0168】また、液晶が温度変化により膨張収縮しても枠状構造物はメインシールを介して対向基板側に固定されるため構造物部分のパネル厚は変動しなくなる。これにより液晶とシールは基板貼り合わせ後も完全に接触しなくなり、シールからの汚染物が液晶中に拡散することを防止できる。

【0169】(9)以上説明した方法を用いた滴下注入により液晶表示装置を製造する。滴下注入は液晶注入後にシール硬化を行うため、上記方法による改善作用が大きい。すなわちシール遮光部は未硬化のまま残るためシール成分が液晶中に溶出してシール際の電圧保持率を低下させる。また遮光部を硬化させるため基板面水平もしくは斜め方向に紫外線を照射すると液晶層にも紫外線が照射されるため液晶が劣化してしまう。このため未硬化領域近傍に紫外線をほぼ透過しない枠状構造物を形成してから紫外線を照射すれば滴下注入で発生する上記不具合を改善できる。

【0170】本実施の形態により上記問題点が解決されるため、UVプレスおよび滴下注入で製造される液晶表示装置の歩留まりが改善される。特に滴下注入では液晶注入後にシール硬化を行うため、本実施形態の適用が滴下注入の実用化に大きく貢献する。以下、本実施の形態による液晶表示装置及びその製造方法を実施例を用いて説明する。

【0171】(実施例1)図17に示すように、CF基



板4上のメインシール6内側かつ表示領域外側となる領域のBM8上に黒色樹脂を用いてパネル厚相当の杵状構造物12を形成する。杵状構造物12を形成後CF/TFT基板4、16上に配向膜(図示せず)を塗布し、CF基板4側にエポキシアクリレート系紫外線硬化樹脂からなるメインシール6を塗布して滴下注入により基板貼り合わせを行う。すなわち表示領域に杵状構造物12内周辺とパネル厚から求まる液晶22の必要体積分を滴下し、真空中で貼り合わせを行う。その後大気圧に戻し、液晶注入およびギャップ出しを行う。ギャップ出し後に液晶22がほぼ表示領域内に拡散するのを確認してから、基板側面から基板面水平方向に紫外線を照射してメインシール6を硬化させる。この貼り合わせ基板を120℃で1時間加熱するアイソトロピック処理後、スクライブ、ブレイクし、液晶表示パネルが得られる。得られた液晶表示パネルは点灯試験およびシール剥離試験に供された。また比較例1として透明樹脂を用いて杵状構造物を形成し、基板面鉛直方向から紫外線を照射してメインシールを硬化させた液晶表示パネルも作製して同様の試験を行った。実施例1および比較例1の点灯試験およびシール剥離試験結果を他の実施例、比較例と共に表8に示す。

【0172】(実施例2)図18(a)に示すように、メインシール6にエポキシ系紫外線硬化樹脂を選択し、実施例1と同様の手法により基板貼り合わせてギャップ出しを行う。図18(a)に示すように、メインシール6は、基板面方向の幅が1mm程度あるのに対して厚さは4~5 $\mu\text{m}$ と薄いため、図18(b)に示すように、基板面に垂直方向の照度はあまり変わらないのに対し、水平方向の照度は徐々に弱くなる。これに鑑み、基板側面から基板面水平方向に紫外線を照射すると共に基板面鉛直方向からも紫外線を照射してメインシール6を硬化させる。

【0173】以下実施例1と同様の処理、試験を行う。また比較例2として基板面水平方向からのみ紫外線を照射してメインシール6を硬化させた液晶表示パネルを作製し同様の試験を行った。実施例2および比較例2の点灯試験およびシール剥離試験結果を他の実施例、比較例と共に表8に示す。

【0174】(実施例3)図19に示すように、TFT基板16上のメインシール6領域かつメインシール6下となる領域にA1を成膜して反射膜152を形成する。反射膜152を形成後実施例1と同様の手法により基板貼り合わせてギャップ出しを行う。その後メインシール6外側から基板面斜め方向に紫外線を照射し、反射膜152により遮光部に紫外線を反射させてメインシール6を硬化させた。この際照射角度を広く取り、遮光部全てに紫外線が反射されるようにした。以下実施例1と同様の処理及び試験を行った。実施例3の点灯試験およびシール剥離試験結果を他の実施例、比較例と共に表8に示す。

す。

【0175】(実施例4)図20(a)、(b)に示すように、TFT基板16上のメインシール6領域かつメインシール6下となる領域にレジスト樹脂を用いて傾斜角が15度となるような凹凸構造154を形成する。次いで、当該領域にTFT基板16へのA1成膜と一括して反射膜34を形成する。反射膜34を形成後実施例1と同様の手法により基板貼り合わせ、ギャップ出しを行う。その後メインシール6外側から基板面斜め60度方向に紫外線を照射し、反射膜34により基板面鉛直方向に紫外線を反射させてメインシール6を硬化させる。以下実施例1と同様の処理及び試験を行った。実施例4の点灯試験およびシール剥離試験結果を他の実施例、比較例と共に表8に示す。

【0176】(実施例5)図21(a)、(b)に示すように、ステンレス製の基板ステージ36上でメインシール6下方となる領域に傾斜角が15度となるような凹凸構造38を形成する。凹凸構造38は基板ステージ36のメインシール6下方領域に逆三角形型の溝を入れることにより形成し、凸部が基板ステージ36上面と面一になるようにしている。実施例1と同様の手法により基板貼り合わせ、ギャップ出しを行う。その後貼り合わせ基板を基板ステージ36上に載せ、メインシール6外側から基板面斜め60度方向に紫外線を照射して基板ステージ36に形成された凹凸構造38により基板面鉛直方向に紫外線を反射させてメインシール6を硬化させる。以下実施例1と同様の処理及び試験を行った。実施例5の点灯試験およびシール剥離試験結果を他の実施例、比較例と共に表8に示す。

【0177】(実施例6)図22(b)に示すような平均粒径1 $\mu\text{m}$ の樹脂フィラー42の表面にAu層44を蒸着した散乱性粒子40を、図22(a)に示すように、メインシール6中に0.1wt%添加する。このメインシール6を用いて実施例1と同様の手法により基板貼り合わせ、ギャップ出しを行う。その後基板面鉛直方向から紫外線を照射し、散乱性粒子40により基板面水平もしくは斜め方向に紫外線を散乱させてメインシール6を硬化させる。以下実施例1と同様の処理及び試験を行った。実施例6の点灯試験およびシール剥離試験結果を他の実施例、比較例と共に表8に示す。

【0178】(実施例7)図23に示すように、CF基板4上への色版形成と一括してメインシール6内側かつ表示領域外側となる領域にパネル厚相当の杵状構造物156を形成した。杵状構造物156は、CF色版を積層して形成されている。杵状構造物156を形成後実施例1と同様の手法により基板貼り合わせ、ギャップ出しを行う。その後基板側面から基板面水平方向に紫外線を照射してメインシール6を硬化させる。以下実施例1と同様の処理及び試験を行った。実施例7の点灯試験およびシール剥離試験結果を他の実施例、比較例と共に表8

に示す。

【0179】(実施例8)図24に示すように、基板貼り合わせ後にメインシール6の内周辺と枠状構造物12の外周辺が隣接する位置にメインシール6を形成し、実施例1と同様の手法により基板貼り合わせ、ギャップ出しを行う。その後基板側面から基板面水平方向に紫外線を照射すると共に基板面鉛直方向からも紫外線を照射し

てメインシール6を硬化させる。以下実施例1と同様の処理及び試験を行った。実施例8の点灯試験およびシール剥離試験結果を他の実施例、比較例と共に表8に示す。

【0180】

【表8】

	シール際の点灯試験(3V、1Hzストレージ駆動)		シール剥離試験	
	加熱処理前	加熱処理後	強度(kgf/mm)	判定
実施例1	○	○	2.0	△
比較例1	○	×	1.5	×
実施例2	○	○	2.5	○
比較例2	○	○	1.5	×
実施例3	○	○	2.5	○
実施例4	○	○	2.5	○
実施例5	○	○	2.5	○
実施例6	○	○	2.5	○
実施例7	○	○	2.0	△
実施例8	○	○	3.0	◎

表8. 実施例1~7、比較例1、2の点灯試験およびシール剥離試験結果

【0181】実施例1~7、比較例1、2の点灯試験およびシール剥離試験結果を示す表8において、判定は強度上問題あるものを×、問題ないが熱硬化シールに劣るものを△、同等を○、同等以上を◎としている。

【0182】実施例1~7では点灯試験、シール剥離試験共に問題ないが、比較例1では加熱後の点灯試験およびシール剥離強度に、比較例2ではシール剥離強度に問題が生じた。比較例1では基板面鉛直方向から紫外線を照射するためBM領域により遮光された領域はシールが未硬化のまま残ってしまう。加熱処理前ではセルギャップ相当の枠状構造物により未硬化成分の溶出が抑えられるが、加熱処理後では温度変化により液晶が膨張して枠状構造物乗り越えるため未硬化成分が液晶中に溶出し、電圧保持率が低下する。シール剥離も遮光部から剥離しており、未硬化の部分に応力が集中して1.5kgf/mmで剥離してしまった。

【0183】比較例2ではエポキシ系紫外線硬化樹脂を用いており、当該樹脂は実施例1のエポキシアクリレート系紫外線硬化樹脂より硬化照度を必要とするため基板側面から基板面水平方向に紫外線を照射しただけでは十分な硬化照度が得られず、1.5kgf/mmで剥離してしまった。しかし、実施例2にあるように基板面鉛直方向からも同時に紫外線照射してやれば十分な剥離強度を発揮するようになる。

【0184】また実施例8では実施例中最も剥離強度が強くなった。これは固定面Fを上下基板界面と枠状構造

物界面の3面にしたことによる。本実施の形態によれば、UVプレスおよび滴下注入により歩留まりを向上させて液晶表示パネルを製造できるようになる。

【0185】なお、本実施の形態の変形例として、バスラインがTi/A1積層により形成されている場合には、UVの反射部位のみTiを除去しておく、TFE製造工程でA1表面には凹凸が熱で自然に形成される(Tiの段差は小さく反射率も小さい)ので、これを利用して紫外線を反射させてメインシール6に入射させるようにしてもよい。

【0186】本発明の第7の実施の形態による液晶表示装置及びその製造方法を図25乃至図31を用いて説明する。液晶表示パネルのメインシールは一般的に熱硬化樹脂を用いるが、硬化速度が遅いため紫外線硬化樹脂で仮止めを行い、位置ずれを防止している。しかし、この仮止め工程は作業性が悪いため特開平5-333351号公報ではメインシールの外周側の四隅に導電粒子を配合した導電性紫外線硬化樹脂を円形状に塗布し、トランスファシールで仮止めを行う方法が提案されている。

【0187】また、UVプレスや滴下注入はメインシールを短時間で硬化させる必要があるためメインシールには紫外線硬化樹脂もしくは紫外線+熱硬化樹脂を用いている。これらの樹脂は硬化が速いため位置ずれが少なく、仮止めを必要としない。図25(a)は例えば紫外線硬化樹脂を含むメインシール6を用いた液晶表示パネルの角部に応力を加えた状態を示している。紫外線硬化

樹脂もしくは紫外線+熱硬化樹脂は熱硬化樹脂に比較して剥離強度が弱く、図25(b)に示すように応力が集中するメインシール6角部には基板との界面剥離 $\beta$ が発生したり、メインシール6自体の凝集剥離 $\alpha$ が発生したりする。

【0188】また、図26に示すように、液晶表示パネルの周縁部にはブラックマトリクス(BM)の額縁8が形成されており、メインシール6塗布位置にマージンがないと貼り合わせ後にメインシール6角部の一部がBM額縁8端と重なって遮光される遮光領域 $\gamma$ ができて硬化不良を起こす。この遮光領域 $\gamma$ ではメインシール6の剥離強度が低下すると共にシールが未硬化のまま残るため液晶中に溶出し、液晶の電圧保持率を低下させる。

【0189】本実施の形態では、以下の手段を用いることにより上記課題の解決を図っている。

(1) 紫外線硬化樹脂もしくは紫外線+熱硬化樹脂をメインシールに用いた液晶表示パネルにおいて、シールコーナに隣接し、メインシール外側かつCF基板端内側となる領域にメインシール以上の剥離強度を有する接合物を部分的に配置する。シールコーナにはシール周辺部との線幅を均一にするため円弧(R)を設けるが、基板形状は四角であるためシールコーナではシールと基板端の間に空隙ができる。この空隙にメインシール以上の剥離強度を有する接合物を部分的に配置すればシールコーナの剥離強度は熱硬化樹脂と同等以上となり、シール剥離は発生しなくなる。上記公知例における樹脂形成は位置ずれの防止を目的としており、本実施形態はシール剥離の防止を目的としている。

【0190】このため接合物に導電性粒子を配合しないこと、メインシール以上の剥離強度を有する接合物を用いること、接合物の硬化をメインシールと同等もしくはそれに続けて行う点で相違している。接合物に導電性粒子を配合すると透過率が減少するため、紫外線硬化型の接合物では剥離強度が低下してシール剥離の防止にはならない。また、公知例では仮止めが行えれば特にメインシール以上の剥離強度を有する必要はなく、樹脂の硬化はメインシールの硬化に先立って行われる。

【0191】(2) 上記(1)において、シールコーナに隣接し、メインシール外側かつCF基板端内側となる領域に上記接合物を円形状に配置する。円形状であれば点打ち塗布により容易に形成できる。また、空隙に余裕があればCF基板端から接合物がはみ出さない程度に塗布量を多くして径を大きくしたり、複数点塗布して剥離強度をさらに上げたりすることも可能である。

【0192】(3) 上記(1)において、シールコーナに隣接し、メインシール外側かつCF基板端内側となる領域に上記接合物(樹脂)をパネル対角方向かつ線状に配置する。パネル対角方向に塗布すればCF基板端までの距離を稼げるため、接合物がCF基板端からはみ出し難く、線状であれば円形状より接着面積が多くなるた

め、剥離強度をより高めることができる。

【0193】(4) 上記(1)において、上記接合物の硬化収縮率をメインシールのそれとほぼ同等にする。接合物の硬化収縮率は選択する材料により異なるが、重合性樹脂ではエポキシ系3%程度、アクリル系が6%程度である。メインシールと硬化収縮率の異なる材料を上記接合物に選択すると硬化後上記領域に歪みが発生するためクラックや剥離の原因となる。このため上記接合物にはメインシールと硬化収縮率がほぼ同等の材料を選択する。

【0194】(5) 上記(1)において、上記接合物の硬化はメインシールと同時にもしくはそれに続けて行う。上記接合物が紫外線硬化型の場合、公知例のようにメインシールの硬化に先立って行えば隣接するシールコーナは基板界面の多重反射により部分硬化する。メインシールをコーナから全体へと段階的に硬化させるとシール内部に残留応力が発生し、剥離強度が低下する。上記接合物が熱硬化型の場合、上記領域を加熱しても結果的に基板全体が加熱されるため未硬化のメインシールが熱だれして、シール形状が乱れてしまう。従って上記接合物が紫外線硬化型の場合はメインシールと同時に、上記接合物が熱硬化型の場合は続けて硬化を行えば上記不具合は発生しなくなる。

【0195】(6) 紫外線硬化樹脂をメインシールに用いた液晶表示パネルにおいて、シールコーナに隣接し、CF基板とTFT基板で形成される段差領域にメインシール以上の剥離強度を有する接合物を部分的に配置する。当該領域は通常周辺端子が形成されない領域であるため、接合物を部分的に配置しても駆動回路と干渉しない。液晶表示パネル形成後、当該領域に接合物を部分的に塗布して、硬化することにより上記(1)と同等の硬化が期待できる。

【0196】(7) 上記(1)及び(6)において、上記接合物は周辺端子辺の上領域のみに形成する。TFT基板には駆動素子と駆動回路を接続する端子が外周部に形成される。周辺端子は駆動回路の接続しろ分(数mm)CF基板端から外側に出ているため、周辺端子に応力がかかるとTFT基板が大きく変形してシール/基板界面に応力が集中すること、メインシールと力点までの距離が長くなるため「てこの原理」により応力が増幅されることから非端子辺よりシール剥離が発生しやすい。逆に非端子辺は上下基板が面一となるためシール剥離は殆ど発生しない。従って接合物を周辺端子辺の領域のみに配置すれば効果的にシール剥離を抑えることができる。

【0197】(8) 上記(1)及び(6)において、接合物に重合性樹脂を用いる。重合性樹脂はメインシールにも適用されているように塗布性、形状安定性に優れており、基板への接着性も高い。接合物はメインシール外側に配置されるため液晶汚染に関係なく、メインシール

以上の剥離強度を有していれば紫外線硬化型、熱硬化型、紫外線+熱硬化型のいずれの重合性樹脂でも用いることが可能である。

【0198】(9) 紫外線硬化樹脂もしくは紫外線+熱硬化樹脂をメインシールに用いた液晶表示パネルにおいて、シールコーナに隣接し、メインシール内側かつ表示領域外側となる領域にパネル厚相当の高さでBM額縁のコーナ形状に準じたL字型の構造物を配置する。液晶表示パネルの周縁部にはBM額縁が形成されるため、シール塗布位置にマージンがないと貼り合わせ後にシールコーナの一部分がBM額縁端と重なって遮光され、硬化不良を起こしてしまう。そこでシールコーナに隣接し、メインシール内側かつ表示領域外側となる領域にパネル厚相当の高さでBM額縁のコーナ形状に準じたL字型の構造物を形成すれば、貼り合わせ後にシールコーナの一部分がBM額縁端と重なるようシール塗布しても構造物でブロックされるためシールはそれより内側に入り込めなくなる。構造物の形成位置は紫外線照射の種類(平行光か散乱光か)、メインシールの紫外線感度によってBM額縁端外側もしくは面一にするか、光の回り込み量分内側にするか選択すればよい。

【0199】(10) 上記(9)において、構造物を紫外線の一部分もしくは全部を透過しない材料で形成し、シールコーナのみ基板面斜め方向から紫外線を照射してシール硬化させる。基板斜め方向から紫外線照射すればシールコーナがBM額縁端で遮光されていても基板界面の多重反射を利用してかなりの奥まで(～0.5mm)硬化させることができる。しかし、メインシールを透過した紫外線は液晶にも照射されるため光劣化を引き起こし、近傍の保持率を低下させてしまう。そこで構造物を紫外線の一部分もしくは全部を透過しない材料で形成すれば上記不具合の発生も無く、シールコーナの遮光部を多重反射を利用して効率的に硬化させることができる。

【0200】(11) 上記(1)～(10)を用いて滴下注入で液晶表示パネルを製造する。紫外線硬化樹脂もしくは紫外線+熱硬化樹脂は熱硬化樹脂に比較して剥離強度が弱いが、紫外線照射量を増やしたり、熱硬化成分の添加量を増やせば剥離強度を上げることができる。しかし、滴下注入では液晶注入後にシール硬化を行うため上記処理を適用すると液晶が光劣化したり、熱硬化成分が溶出してシール近傍で保持率が低下してしまう。また、貼り合わせ後にシールコーナの一部分がBM額縁端と重なって遮光された場合、剥離強度が低下すると共に未硬化のシールが液晶中に溶出してシール際の電圧保持率を低下させる。

【0201】そこで上記(1)～(10)の手段を用いて滴下注入で液晶表示パネルを製造すれば上記不具合は発生しなくなり、改善効果は大きなものとなる。本実施の形態によりUVプレスおよび滴下注入で製造される液晶表示パネルの歩留まりが改善される。特に滴下注入で

は液晶注入後にシール硬化を行うため、本実施形態の適用は滴下注入の実用化に大きく貢献する。以下、本実施の形態による液晶表示装置及びその製造方法を実施例を用いて説明する。

【0202】(実施例1及び2) 実施例1を図27を用いて説明する。図27(a)は、液晶表示パネル全体を表し、図27(b)は液晶時パネルの一角部を表している。図27(c)は、剥離強度を調べる際の加圧点を示している。

【0203】紫外線硬化樹脂A(エポキシ樹脂/硬化収縮率3%/スリーボンド製)をメインシール6に用い、CF11が形成されたCF基板4上に基板貼り合わせ後の線幅が1mmとなるよう棒状に塗布する。続けてメインシール6角部に隣接し、メインシール6外側かつCF基板4端内側となる領域に熱硬化型樹脂(エポキシ樹脂/硬化収縮率3%/三井化学製)からなる接合物160a、160b、160cを基板貼り合わせ後の径が1mmφとなるよう円形状に塗布する。

【0204】図28は実施例2を示している。実施例2では実施例1と同材料の接合物160aを線幅1mm、長さ2mmとなるようパネル対向方向かつ線状に塗布している。なお、実施例1及び2では周辺端子がTFT基板16上の縦横各一辺にあるため、周辺端子辺の領域(3点)に接合物160a～160cを塗布している。

【0205】次に滴下注入により液晶表示パネルを作製する。メインシール6の棒状パターン内にシール内周寸法とパネル厚から求まる必要量の液晶を滴下し、真空中で貼り合わせる。次いで大気圧に戻して液晶注入とギャップ出しを行う。ギャップ出しの後、基板面上方から紫外線を照射してメインシール6を硬化させる。貼り合わせ基板を120℃で1時間加熱し、接合物160の硬化と液晶のアイソトロピック(再配向)処理を行う。次いで基板を切断し液晶表示パネルを得る。また、同様の手法により接合物がない液晶表示パネル(従来例1)も作製した。

【0206】剥離強度の測定は樹脂単体、液晶表示パネルそれぞれで行った。樹脂単体の測定は50mm×20mmのガラス基板中央にメインシール6もしくは接合物160を基板貼り合わせ後の径が1mmφとなるよう円形状に塗布し、同寸法のガラス基板で十字に貼り合わせて、ギャップ出し後硬化させた。ガラス基板端の1mm内側をフォースゲージで下方向に加圧し、メインシール6もしくは接合物160が全剥離する力を読み取った。液晶表示パネルの測定はCF基板4を上、TFT基板16を下としてTFT基板16端コーナの1mm内側(図27(c)参照)をフォースゲージで下方向に加圧し、接合物160もしくはメインシール6が全剥離する力を読み取った。

【0207】その結果、メインシール6に用いている紫外線硬化樹脂Aの剥離強度は1.6kgf/mm、接合

物160に用いている熱硬化樹脂のそれは2.5kgf/mmであった。また、実施例1の液晶表示パネルの剥離強度は3.0kgf/mm、実施例2のそれは3.5kgf/mm、従来例1のそれは1.8kgf/mmであった。液晶表示パネルの剥離強度はユニット化工程で周辺端子にかかる最大荷重以上の値が求められ、その値は偏光板の貼り換え時の負荷重、駆動回路の圧着力を考慮して一般的に2.0kgf/mm以上の値が必要となる。従来例1ではこの基準値を満たさないため、シール剥離により製造歩留まりが低下する。実施例1及び2の剥離強度は従来例のそれを上回り、基準値を満たすためシール剥離は発生しない。

【0208】(実施例3) 実施例3を図29(a)、(b)を用いて説明する。紫外線硬化樹脂A(エポキシ樹脂/硬化収縮率3%/スリーボンド製)をメインシール6に用い、CF基板4上に基板貼り合わせ後の線幅が1mmとなるよう棒状に塗布する。続けて滴下注入により液晶表示パネルを作製する。液晶表示パネル作成後、メインシール6の角部に隣接し、CF基板4とTFT基板16で形成される段差領域164(図29(b)参照)に紫外線硬化樹脂B(エポキシ樹脂/硬化収縮率3%/スリーボンド)からなる接合物162を両基板に接するよう2mmφの径で円形状に塗布する。なお、本実施例も実施例1と同様に周辺端子2がTFT基板16上の縦横各一辺にあるため、周辺端子2辺部の領域(3点)のみに接合物162を塗布し、接合物162のみに紫外線をスポット照射して硬化させる。剥離強度の測定は実施例1及び2と同様である。

【0209】測定の結果、メインシール6に用いている紫外線硬化樹脂Aの剥離強度は1.6kgf/mm、接合物162に用いている紫外線硬化樹脂Bのそれは2.0kgf/mmであった。紫外線硬化樹脂A、Bの相違はAが液晶への汚染性を考慮して多官能成分や低分子成分の添加量を少なくしているのに対し、Bは液晶と接しないためそれらの添加量を多くして剥離強度を高めたものである。上記成分は極性や溶解性が高いため液晶への汚染性が高いが、樹脂の剥離強度を高める作用がある。また、実施例3の液晶表示パネルの剥離強度は2.3kgf/mm、従来例のそれは1.8kgf/mmであった。実施例3の剥離強度は従来例1のそれを上回り、基準値を満たすためシール剥離は発生しない。

【0210】(実施例4) 図30を用いて本実施例を説明する。紫外線硬化樹脂C(エポキシアクリレート樹脂/硬化収縮率6%/スリーボンド製)をメインシール6に用い、CF基板4上に基板貼り合わせ後の線幅が1mmとなるよう棒状に塗布する。続けてメインシール6角部に隣接し、メインシール6外側且つCF基板4端内側となる領域に紫外線硬化樹脂Cからなる接合物164を基板貼り合わせ後の径が1mmφとなるよう円形状に塗布する。

【0211】また、比較例1として同様に紫外線硬化樹脂A(エポキシ樹脂/硬化収縮率3%/スリーボンド製)からなる接合物164を塗布した。その後液化注入により液晶表示パネルを作製する。その結果、メインシール6に用いている紫外線硬化樹脂Cの剥離強度は1.6kgf/mm、接合物164に用いている紫外線硬化樹脂Aのそれは1.6kgf/mmであった。紫外線硬化樹脂C、Aは異なる樹脂であるため硬化収縮率に差がある。また、実施例4の液晶表示パネルの剥離強度は2.2kgf/mm、比較例のそれは1.8kgf/mmであり、比較例1では図30(b)に示すように、剥離試験前から硬化収縮率の高いメインシール6側にクラック166が発生していた。実施例4の剥離強度は従来例1及び比較例1のそれを上回り、基準値を満たすためシール剥離は発生しない。

【0212】(実施例5) 図31を用いて実施例5について説明する。図31(a)に示すように、メインシール6の角部に隣接し、CF基板4上のメインシール6内側且つ表示領域外側となる領域にレジスト(シプレー製)を用いてBM額縁8の角部形状に準じたL字型の構造物166を形成する。構造物166はBM額縁8外周辺から0.3mm内側に入り込んだ位置に長さ5mm、幅0.7mm、高さ4μm(パネル厚相当)で形成している。

【0213】紫外線+熱硬化樹脂(部分アクリル化エポキシ樹脂/硬化収縮率4%/協立化学製)をメインシール6に用い、CF基板4上に基板貼り合わせ後の線幅が1mmとなるよう棒状に塗布する。メインシール6は基板貼り合わせ後のシール内周辺がBM額縁8外周辺にちょうど接するよう塗布している。その後、滴下注入により液晶表示パネルを作製する。

【0214】また、同様の手法により構造物166がない液晶表示パネル(従来例2及び3)も作製する。実施例5と従来例3では基板面上方から紫外線を照射した後、図31(b)に示すように、メインシール6の角部のみ基板面斜め45度方向から紫外線をスポット照射してメインシール6の硬化を行っている。剥離強度の測定に加え、構造物21による紫外線の遮蔽効果を見るため、ガラスおよびそれにレジストを形成した場合の紫外線透過特性を測定した。

【0215】その結果、メインシール6に用いている紫外線+熱硬化樹脂の剥離強度は2.0kgf/mmであった。また、実施例5の液晶表示パネルの剥離強度は2.3kgf/mm、従来例2のそれは1.8kgf/mm、従来例3のそれは2.3kgf/mmであった。それらの液晶表示パネルを中間調(60Hz、3V矩形波印加)で点灯検査したところ、従来例2および3ではシールコーナに保持率低下による輝度むらが発生していた。従来例2では遮光部168のシール硬化不良による保持率低下であり、従来例3では液晶の光劣化による保

持率低下である。しかし、実施例5では剥離強度は基準値を満たしており、保持率低下による輝度むらも発生してなかった。

【0216】これは基板斜め方向から紫外線を照射したことにより遮光部168へ紫外線が回り込んだためであり、またレジストが液晶に有害な紫外線波長を吸収したためである。図31(c)は、ガラスあるいはガラス+レジストの紫外線透過特性を示すグラフである。図31(c)の紫外線透過特性から、ガラス+レジスト(曲線 $\alpha$ )によれば、液晶に有害な波長域(334nmより短波長側)をガラス(曲線 $\beta$ )の1/4以下にカットしていることが分かる。本実施の形態によりUVプレスおよび滴下注入により歩留まり良く液晶表示パネルを製造できるようになるため、液晶表示パネルのさらなるコスト低減を達成することができる。

【0217】本発明の第8の実施の形態による液晶表示装置及びその製造方法を図32乃至図35を用いて説明する。まず、本実施の形態による液晶表示装置の概略の構成について図32を用いて説明する。図32(a)は、スイッチング素子にTFTを用いたアクティブマトリクス型の液晶表示パネル1を対向基板側から見た上面の一部を模式的に示している。図32(b)は、図32(a)のA-A線で切断した部分断面を示している。アレ基板16上には、図中基板左右方向に延びるゲートバスラインG1、G2、…、Gn(以下、Gと略記する)が上下方向に平行に複数形成されている。また、複数のゲートバスラインG上には図示を省略した絶縁膜が形成され、絶縁膜上にはゲートバスラインGにはほぼ直交するように複数のデータバスラインD1、D2、…、Dn(以下、Dと略記する)が形成されている。互いに直交する複数のゲートバスラインGとデータバスラインDとでマトリクス状に画定される各領域が画素領域となり、各画素領域内にはTFT13と表示電極14が形成されている。TFT13のゲート電極は所定のゲートバスラインGに接続され、ドレイン電極は所定のデータバスラインDに接続され、ソース電極は画素領域内の表示電極14に接続されている。

【0218】図32(b)はゲートバスラインG1に沿う断面を示しており、アレ基板16の対向基板4と対向する面にはゲートバスラインG1が形成され、また最上面には配向膜172が形成されている。対向基板4のアレ基板16と対向する面には共通電極8が形成され、最上面には配向膜170が形成されている。

【0219】アレ基板16よりほぼ端子部2の幅だけ小さく形成されている対向基板4が、所定のセル厚でアレ基板16に対向して設けられている。アレ基板16と対向基板4とは光硬化性樹脂からなるシール剤6で貼り合わされている。アレ基板16及び対向基板4間のシール剤6で囲まれた領域には液晶22が封止されている。

【0220】複数のゲートバスラインG及びデータバスラインDは、アレ基板16の外周囲に形成された端子部2にまで延びて、外部に設けられた駆動回路(図示せず)と接続されるようになっている。各ゲートバスラインGの端部には外部取り出し電極174が形成され、各データバスラインDの端部にも外部取り出し電極176が形成されている。

【0221】所定のゲートバスラインGに出力された走査信号により当該ゲートバスラインGにゲート電極が接続されたTFT13はオン状態となり、データバスラインDに出力された階調信号に基づく電圧が画素電極14に印加される。一方、対向基板側の共通電極8にも所定の電圧が印加され、画素電極14と共通電極8とに印加された電圧により、画素電極14と共通電極8の間の液晶22が駆動されるようになっている。

【0222】さて、本実施の形態の液晶表示装置は、シール剤6のアレ基板16及び対向基板4の接触領域に複数の光反射層Rが形成されている点に特徴を有している。この光反射層Rについて図33を用いて説明する。図33(a)は、図32(a)の破線で示したブロック30内を拡大して示している。図33(b)は、図33(a)に示す領域のパネル断面を示している。また、図33(c)は、比較のため図33(b)に対応した従来のパネル断面を示している。

【0223】図33(a)、(b)に示すように、光反射層Rは、アレ基板16と対向基板4のシール剤塗布領域に交互に形成されている。光反射層Rは、例えばゲートバスライン形成用金属あるいはデータバスライン形成用金属を用いてそれらバスラインの形成時に同時にアレ基板16上のシール剤塗布領域に形成される。光反射層Rは、ゲートバスラインGあるいはデータバスラインDに平行でシール剤6の形成領域幅よりわずかに長い長辺を有するラインアンドスペースパターンに形成されている。

【0224】一方、光反射層RUは対向基板4側のシール剤接触領域に金属層をパターンニングして形成され、対向基板4をアレ基板16と張合わせると光反射層RLのスペース部(隙間)を埋めるように、アレ基板16上の光反射層RLより半ピッチずれたラインアンドスペースパターンを有している。

【0225】従って、図33(b)に示すようにシール剤6を硬化させるためのUV光照射の際、対向基板4側からパネル面にほぼ垂直にUV光UV1を入射させると、アレ基板16上の光反射層RLで光UV1は反射して当該領域のシール剤6中を往復する。このため、光UV1のエネルギーを無駄なく有効に当該領域のシール剤6の硬化に利用することができ、シール剤6を素早く硬化させて液晶22の劣化を防止することができるようになる。同様にして、アレ基板16側からパネル面にほぼ垂直にUV光UV2を入射させると、対向基板4上の

光反射層R Uで光UV 2は反射して当該領域のシール剤6中を往復する。このため、光UV 2のエネルギーを無駄なく有効に当該領域のシール剤6の硬化に利用することができ、シール剤6を素早く硬化させて液晶2 2の劣化を防止することができるようになる。

【0226】上述のようにUV光UV 1、UV 2をパネル両面から照射させるのに対し、パネル面に対して斜めにUV光UV 3を照射させるようにしてもよい。この場合には、パネルを透過してしまう光も存在するが、光反射層R L、R Uで1回あるいは複数回反射してシール剤6中を通るUV光の量を増やすことができるので、光UV 3のエネルギーを無駄なく有効にシール剤硬化に利用することができ、シール剤6を素早く硬化させて液晶2 2の劣化を防止することができるようになる。なお、本実施の形態では、光反射層R L、R Uのラインアンドスペースパターンの長辺がUV光源の移動方向(図108

(a)に示した移動方向211と同じ)にはほぼ直交するので、パネル面の法線とUV光源の移動方向とで作られる面内でパネル面に斜めに光UV 3を照射することが、照射エネルギーを有効に利用する観点から望ましい。さらに望ましくは、UV光源の移動方向を軸にして前記面を若干傾けて、光UV 3が液晶表示部中央から表示部外方へ照射されるようにする。こうすることにより、シール剤6近傍の液晶表示部側へのUV光の漏れを低減させて、液晶2 2の劣化をより確実に抑えることができるようになる。

【0227】図33(c)は、比較のため従来の液晶表示装置におけるUV照射を示している。従来の液晶表示装置の構成でパネルにはほぼ垂直な方向からUV照射UV 4、UV 5を行っても、光UV 5のようにゲートバスラインGやデータバスラインDの外部引き出し電極174、176で反射する他は全て、光UV 4のようにシール剤6を1度透過するだけであった。従って、従来の液晶表示装置ではUV光のエネルギーを十分にシール剤硬化に利用できないことが分かる。

【0228】本実施の形態は種々の変形が可能である。本実施の形態では、光反射層Rがラインアンドスペースパターンを有しているものとして説明しているが、例えば、アレイ基板16でのシール剤6の接触領域のゲートバスラインGやデータバスラインDの幅を大きくして光反射層R Lとし、光反射層R L間の間隙を埋めるように、対向基板4のシール剤6接触領域に光反射層R Uを形成してもよい。

【0229】また、反射型液晶表示装置の場合は図34に示すように、アレイ基板(反射基板)上でシール剤6の接触領域を通過する複数のバスライン間に光反射層Rを設けるようにすることができる。こうすることにより反射型液晶表示装置においても、UV光の反射光を利用して光エネルギーを無駄なく有効にシール剤硬化に利用することができ、シール剤6を素早く硬化させて液晶2 2の

劣化を防止することができるようになる。

【0230】また、図35に示すように、シール剤6へレンズ32により集光したUV光を照射し、液晶22にUV光が入射しないようにすることも有効である。これによれば、UV光のエネルギーを集中してシール剤6に与えることができるのでシール剤硬化の時間が短縮でき、液晶22の劣化を防止することができる。

【0231】なお、上記実施の形態では、光反射層R上に直接シール剤6を接触させて硬化させているが、シール剤6の密着性を向上させるため光反射層R上に例えばシリコン酸化膜(SiO<sub>2</sub>膜)等を形成し、シール剤6はシリコン酸化膜と直接接触させるようにしてももちろんよい。

【0232】[実施例1]次に、本実施の形態に基づく液晶表示装置の製造方法の実施例について図32及び図33を用いて簡単に説明する。なお、本実施例による液晶表示装置の製造方法は、シール剤6硬化のためのUV照射による液晶22の劣化を低減させて、セル工程での液晶滴下を確実に進めるようにする点に特徴を有している。他のガラス基板上に配線パターンやスイッチング素子等を形成するアレイ工程や、配向処理やスペーサの配置等のセル工程、あるいはドライバICの取付けやバックライト装着などを行うモジュール工程のうち従来と同様の工程についてはその説明は省略する。

【0233】まず、例えば50mm×60mm×0.7mmのガラス基板からなるアレイ基板16を用いる。アレイ基板16上にゲートバスライン及びデータバスラインを形成する際、基板全面に形成されたバスライン形成金属層をパターニングしてシール剤6の接触領域に光反射層R Lを形成する。バスライン形成金属としては、Cr、Al、Ti等を用いることができる。光反射層R Lの幅は100μmで、隣り合う光反射層間の幅も100μmのラインアンドスペースパターンである。一方、対向基板4側には、例えばブラックマトリクス(BM:遮光膜)を形成する際、基板全面に形成されたBM形成金属層をパターニングしてシール剤6の接触領域に光反射層R Uを形成する。BM形成金属としてCrを用いることができる。光反射層R Uは、対向基板4がアレイ基板16と貼り合わされた際、光反射層R Lのラインアンドスペースパターンより半ピッチずれるようにパターニングされている。従って、光反射層R Uも、その幅は100μmであり、隣り合う光反射層間の幅も100μmのラインアンドスペースパターンである。

【0234】アレイ基板16及び対向基板4のシール剤6の接触領域より内側の基板面に配向膜(AL3506)を形成し、TN(ねじれネマチック)液晶層が作成できるようにラビング処理を行った後、UVシール剤(協立化学製)6を対向基板4に塗布する。図示しない滴下注入装置でアレイ基板16上に液晶(FT-5082)22を滴下した後、両基板4、16を貼り合せる。

アレイ基板16及び対向基板4の両側からシール剤6の塗布領域に対し、60mW/cm<sup>2</sup>の照射エネルギーでUV光を照射してシール剤6を硬化させてパネルが完成する。

【0235】これに対し、比較例として光反射層RUを形成しない対向基板にUVシール剤6を塗布して、液晶滴下後両基板を貼り合わせて対向基板側だけからUV照射を行ってシール剤6を硬化させる。この場合に十分な硬化を生じさせるには、上記実施例によるUV照射時間のほぼ2倍の時間を要する。

【0236】上記2つのパネルについて、所定領域のイオン密度を測定したところ、本実施例の方が比較例より格段にイオン密度が小さく、本実施の形態の構成により液晶へのダメージを大幅に減少できることが確認できた。

【0237】本発明の第9の実施の形態による液晶表示装置及びその製造方法を図36乃至図39を用いて説明する。図36は、液晶表示パネル端部のシール剤をUV照射している状態を示している。アレイ基板16及び対向基板4間に液晶を封止する光硬化性材料のシール剤6が設けられている点については本実施の形態と従来の液晶表示装置とは同様である。しかし本実施の形態は、シール剤6を硬化させるためのUV光UV6が偏光光である点に特徴を有しており、さらに、液晶22が偏光を有する光UV6を照射されても特性が劣化しない材料である点に特徴を有している。

【0238】図37は、2種類の液晶材料(A)、(B)の特性を示しており、縦軸は吸光度を表し、横軸は波長を表している。液晶材料(A)の $\Delta n$ (光学異方性:異常光線と常光線の屈折率の差)は、液晶材料(B)のそれより小さい。図37に示すように、液晶材料(A)、(B)は共に短波長側で高い吸光度を示し、その吸収端は相対的に $\Delta n$ が大きい液晶材料(B)ほど高波長側となることが確認されている。この吸収端は波長が300nmから360nm程度の紫外線領域にある。従って、屈折率が大きい液晶材料ほど紫外線を吸収して特性変化を生じ易い。つまり、液晶材料の屈折率を小さくさせた状態でUV光を照射すれば、UV光の照射による特性劣化に対する耐性を向上させることができる。

【0239】例えば図38に示すように、照射する偏光UVの偏光軸46が液晶分子182の短軸方向に一致するようにしてUV照射させれば、液晶22の劣化を抑制することができる。図38(a)は、液晶表示パネルを対向基板側から見た一部領域を示している。アレイ基板16側に形成された配向膜は図中破線の矢印180に示すように左上から右下に向けてラビング処理が施されており、対向基板4側に形成された配向膜は図中実線の矢印178に示すように右上から左下に向けて、矢印180にはほぼ直交する方向にラビング処理が施されている。

このラビング処理により、図38(b)に示すように液晶22の液晶分子182は両基板4、16の基板面近傍で長軸をラビング方向に向けて90°ねじれて配列する。このようなねじれ配向においては、図38(c)に示すように、図38(b)に示した両基板面近傍での液晶分子182の長軸の向きの中に直交する方向に偏光軸46を有するUV光を照射すれば、液晶の屈折率を小さくさせた状態での照射が実現できる。

【0240】図39を用いて他の液晶分子の配列に適用した例について説明する。図39(a)は、液晶表示パネルを対向基板側から見た一部領域を示している。アレイ基板16側に形成された配向膜は図中破線の矢印180に示すように図中上から下に向けてラビング処理が施されており、対向基板4側に形成された配向膜は図中実線の矢印178に示すように下から上に向けてラビング処理が施されている。このラビング処理により、液晶22の液晶分子182の長軸は基板に垂直な面内に含まれる配列となる。このような配向においては、図39

(b)に示すように、液晶分子182の長軸の向きに直交する方向に偏光軸48を有するUV光を照射すれば、液晶の屈折率を小さくさせた状態での照射が実現できる。

【0241】[実施例2]実施例1と同様のガラス基板を用いて同様の液晶滴下によるパネルを作製した。配向膜のラビング方向は図39(a)に示すようなアンチパラレル方向とし、ホモジニアス液晶セルとしている。液晶の長軸方向に偏光軸を有する偏光UVを照射した液晶パネルと、液晶短軸方向に偏光軸を有する偏光UVを照射した液晶パネルとを作製した。所定領域で比較したところ、液晶短軸方向に偏光軸を有する偏光UVを照射した液晶パネルの方が電圧保持率が高く、イオン密度が小さいことが確認された。このように本実施の形態によれば、無偏光のUV光を照射する場合と比較して液晶22の劣化を抑制することができるようになる。

【0242】次に、本発明の第10の実施の形態による液晶表示装置及びその製造方法について図40乃至図42を用いて説明する。図40は、例えば誘電異方性が負の液晶22を滴下注入して、垂直配向膜により垂直配向させた状態を示している。この場合は液晶分子182の長軸がシール剤6を照射するUV光UV7の照射方向にほぼ平行になるため、液晶22が水平配向している場合と比較して、照射するUV光に対する偏光方向依存性を小さくできる。このため、光UV7は無偏光にすることができる。

【0243】また例えば、誘電異方性が正の液晶22を使用した液晶表示パネルを製造する場合には、図41(a)に示すように、表示領域主要部には水平配向用の配向膜50を形成し、シール剤6近傍には配向膜50とは別に、液晶を垂直配向させる垂直配向膜52を形成する。こうすることにより、シール剤6の硬化のためのUV



V照射において、漏れ光がシール剤6近傍の液晶22に入射しても、液晶分子182の長軸がUV照射光の照射方向と平行になっているため偏光方向依存性が少なく、従って無偏光のUV光でも液晶劣化を抑制することができるようになる。

【0244】図41(b)は変形例の構造を示し、シール剤6近傍まで水平配向用の配向膜50を形成し、シール剤6近傍の配向膜50上に、新たに垂直配向用の配向膜52を形成している。また、図41(c)は、別の変形例の構造を示し、シール剤6近傍まで垂直配向用の配向膜52を形成し、シール剤6近傍を除き、配向膜52上に、新たに水平配向用の配向膜50を形成している。

【0245】またさらに、誘電異方性が正の液晶22の場合には、図42に示すような構成を取ることで、無偏光のUV光が照射されても液晶の劣化を抑えることができるようになる。図42(a)は、シール剤硬化のためのUV照射の際、電圧供給源54によりアレイ基板16上のシール剤6近傍の表示電極14と対向電極4の共通電極との間に電圧を印加して、シール剤6近傍の液晶分子182を垂直に配向させておくようにしたものである。このようしても、シール剤6の硬化のためのUV照射において、漏れ光がシール剤6近傍の液晶22に入射しても、液晶分子182の長軸がUV照射光の照射方向と平行になっているため偏光方向依存性が少なく、従って無偏光のUV光でも液晶劣化を抑制することができるようになる。

【0246】またさらに、図42(b)に示すように、予めシール剤6近傍のアレイ基板16上に画素電極14とは電気的に絶縁された別の電極58を形成し、シール剤6近傍の対向基板4上には共通電極8とは電気的に絶縁された別の電極60を形成するようにしてもよい。電極58及び60は駆動用電源56に接続される。

【0247】シール剤6硬化のためのUV照射の際には、駆動用電源56により電極58、60間に電圧を印加してシール剤6の液晶分子182を垂直に配向させる。UV照射の漏れ光がシール剤6近傍の液晶22に入射しても、液晶分子182の長軸がUV照射光の照射方向と平行になっているため偏光方向依存性が少なく、従って無偏光のUV光でも液晶劣化を抑制することができるようになる。図41及び図42(b)の構成によれば、ノーマリホワイト型の液晶表示装置に用いると配向膜52間、あるいは電極58、60の領域は表示領域の額縁部として機能することができる。

【0248】[実施例3] 実施例1と同様のガラス基板を用いて同様の液晶滴下によるパネルを作製した。TN液晶セルを形成するように配向膜をラビングした。両基板を貼り合わせてシール剤6にUV光を照射する際、図42(b)に示すような電極58、60に5V(30Hz)の矩形波を印加して電極58、60間の液晶22を垂直に配向させてシール剤6の硬化を行った。その結

果、電圧を印加しない場合に比較して電圧保持率、イオン密度ともに良好な特性を示した。

【0249】次に、本発明の第11の実施の形態による液晶表示装置及びその製造方法について図43乃至図55を用いて説明する。なお、第1乃至第10の実施の形態と同一の作用機能を有する構成要素には同一の符号を付してその説明は省略する。本実施の形態は、狭額縁を実現することを目的としており、反射型LCDや、アレイ側にCFを形成する技術と組み合わせることで大きな効果を奏する。また、この技術は高分子分散型液晶表示装置(PDLC)の製造プロセスにおける滴下注入法に適用可能である。近年、液晶分子と同様な屈折率を有する高分子にネマティック液晶を分散保持させた高分子分散型液晶を用い、これを挟む2枚の基板間に電圧を印加してスイッチングを行うことで、従来のような偏光板を用いずに高輝度の画像表示を行えるPDLCが提案されている。このPDLCの製造方法としては、例えば液晶と重合性材料の均一溶液を作り、液晶パネルに充填させた後、光による重合により相分離し相分離構造を形成する方法等がある。

【0250】一般に液晶のポリマー化とシール剤の硬化に必要な感光量や感光波長は異なるので、光硬化性樹脂のシール剤に照射すべきUV光を液晶に照射してしまうと、液晶は不適当に感光してしまう。本実施の形態ではこれを防止する構成及び方法について実施例を用いて説明する。滴下注入法をPDLCパネルの製造工程で用いる際、以下に示す技術を導入することにより、パネルの狭額縁化を実現し、且つ簡単なプロセスで高分子分散型液晶表示装置を製造できる製造ラインを実現することができる。

【0251】既上記実施形態で説明したが、滴下注入法においてパネルの狭額縁化を実現するには、カラーフィルタ(CF)側のBM額縁部にシール剤を形成することが必須である。BM額縁部下方のシール剤が十分硬化できるように、本実施の形態ではアレイ基板側から光を照射する。アレイ基板側に形成した複数の配線が光の回り込み現象を生じさせ高い効率で光をシール剤中に伝達できる。以下、実施例に基づいて説明する。

【0252】[実施例4] 実施例4について図43乃至図46を用いて説明する。対向基板4に塗布したUV硬化型のシール剤6を光硬化させるためには、必ずしもシール剤6の全領域にUV光を照射しなくてもよい。シール剤6に入射した光は散乱したり内部反射したりして照射領域以外に回り込むからである。光の回り込みが期待できる距離はおよそ200 $\mu$ m程度である。従って配線78の幅(L)が400 $\mu$ m程度であれば、配線78の両エッジからの光の回り込みの効果によりシール剤6は十分硬化できる。

【0253】また、狭額縁パネルを実現するには、シール剤6の基板との接触領域が表示領域周囲のBM額縁部

108内に一部もしくは全部が重なるようにシール剤6を塗布する必要が生じる。一般にBM額縁部108は、CFが形成される対向基板4側に低反射クロム(Cr)膜や黒色樹脂を成膜して形成される。BM額縁部108での光の透過率は極めて小さいので、BM額縁部108下と重なるシール剤6にUV光を照射させるため、アレイ基板16側からシール剤6直下の配線78を介してUV照射を行う。

【0254】図43(a)は一実施例であって、液晶パネルの端部一部断面の概略を示している。図43(b)はアレイ基板面に向かってパネル端部を見た部分平面図である。透明ガラス基板のアレイ基板16のシール剤6の接触領域には、TFT(薄膜トランジスタ)やゲート/ドレインバスラインの形成金属を用いた配線78が形成されている。図43の例では、シール剤6の塗布方向に沿って延びる配線78が複数並行に形成されている。配線78の幅(L)は上述の通り約400 $\mu$ mである。配線間の間隙の幅も約400 $\mu$ mである。シール剤6は、複数の配線78上でアレイ基板16と接触している。シール剤6の他端はBM額縁部108が形成された対向基板4に接触している。シール剤6他端の接触領域は約80%程度がBM額縁部108と重なり合っている。両基板間には液晶22が封止されている。このような構成において、アレイ基板16側からUV光UV8を照射すると、光UV8は配線78でシール剤6内に回り込み、さらにBM額縁部108で反射され、一部はさらに配線78裏面で反射してシール剤6内に拡散してシール剤6全体を十分硬化させることができる。

【0255】図44は図43(b)に示した配線78の変形例を示している。図43(b)に示した配線78がストライプパターンであるのに対して、図44に示した配線79は複数の配線を直交させて交差領域の間に複数の矩形の光透過窓が形成された構造を有している。この例でも配線幅(L)は400 $\mu$ mである。図45に示す配線80も配線78の変形例であり、シール剤6の接触領域脇に形成された2本の配線に複数の配線が掛け渡された形状をしている。各配線の幅(L)は400 $\mu$ mである。図46は、図43(a)に示したパネルの変形例を示している。シール剤6の対向基板4側の接触領域が全てBM額縁部108と重なっている。この場合でもアレイ基板16側からUV光を照射することによりシール剤6を十分硬化させることができる。

【0256】【実施例5】実施例5について図47及び図48を用いて説明する。既に上記実施の形態でも説明したが、ガラス基板を透過してくる紫外線で特に液晶を劣化させる輝線ピークはj線(313nm)およびi線(365nm)である。カラーフィルタ側からのUV入射の場合は、CF色版はj線、i線を殆ど透過させず、BMはj線、i線を全く透過させない。つまり、透過型液晶表示装置のアレイ基板16側からUV光を入射させ

る場合には、カラーフィルタをアレイ基板16側に形成することで液晶22の劣化を防止することができる。また、反射型液晶表示装置の場合には反射電極がある程度遮光の役割を果たすことができる。

【0257】図47(a)は一実施例であって、液晶パネルの端部一部断面の概略を示している。図47(b)はアレイ基板面に向かってパネル端部を見た部分平面図である。図47に示すパネルは、アレイ基板側の画素形成領域にCF82を形成している。従って、UV光のうち少なくともj線とi線をカットして液晶22の劣化を防止することができる。図48は、反射型液晶表示パネルを示しており、反射電極83をj線とi線をカットするUV遮光膜として利用することができる。反射電極は、アレイ基板面の液晶を充填する側に形成されていてもかまわない。

【0258】【実施例6】実施例6について図49を用いて説明する。光硬化性の液晶23を使用する場合、液晶23に対する光の照射条件とシール剤6に対する照射条件は異なってくる。本実施例では、シール剤6に照射するUV光UV9は1000mJ/cm<sup>2</sup>程度の照射エネルギーである。また、液晶23を照射するUV光UV10は、CFなしの状態では2000mJ/cm<sup>2</sup>程度の照射エネルギーである。シール剤6を硬化させるUV光UV9はアレイ基板16側から配線78等を介して照射する。液晶23をポリマー化させるUV光UV10は、対向基板4側から照射する。この照射時にカラーフィルタはいずれの基板に形成されているに依り、このように別個の光源を用いて2つの照射条件を切り分けて使うことによりそれぞれ最適の硬化を行わせることが可能になる。

【0259】【実施例7】実施例7について図50を用いて説明する。液晶表示装置の表示性能に直接影響する液晶23のポリマー化を先に行うことで、シール剤6を硬化させる際のUV光の漏れ光や光の回り込みにより不当に液晶23の硬化が開始されるのを防止できる。先に液晶23を硬化させることにより未硬化のシール剤6からの汚染を抑えることができる。また、液晶に光重合性を持つ材料または光重合性樹脂を混合した液晶材料を用い、シール剤に熱硬化性材料を用いるようにしてもよい。この場合には、2枚の基板を貼り合わせた後、液晶にUV光を照射して硬化させ、その後シール剤の熱硬化を行うようにすればよい。このようにしても液晶を先に硬化させるため未硬化のシール剤からの汚染に対して長時間耐えることができるようになる。

【0260】【実施例8】実施例8について図51乃至図53を用いて説明する。シール剤6に可視光感光性の樹脂を用いていることを特徴とする。従って、図51においてまずシール剤6を可視光NL1で照射して硬化させる。このとき可視光NL1の漏れ光が液晶23に照射されても液晶23の感光域から外れているので問題は生

じない。次いで液晶23をUV光UV11を照射して感光させる。このときの漏れ光がシール剤6に照射されても、既に硬化が完了しているので問題は生じない。図52は、反射型型液晶表示装置等において、アレイ基板16側からシール剤6を可視光NL2で照射して硬化させる。次いで、対向基板4側から液晶23をUV光UV12を照射して感光させるようにしている。図53は、可視光感光性のシール剤6を用いて自然光により硬化を行わせるようにしたものである。

【0261】[実施例9] 実施例9について図54を用いて説明する。図54に示す液晶表示装置は、シール剤6を硬化させるUV光UV13をアレイ基板16側から照射領域を特に制限せずに照射している状態を示している。アレイ基板16の光照射側の面のシール剤6への照射領域以外の領域には、UV光UV13の照射量を減じるフィルタ90が貼り付けられている。液晶23に必要な感光条件と、シール剤6に必要な感光条件の違いが光波長にある場合にはフィルタ90にはバンドパスフィルタを用いて光を調光することができる。液晶23に必要な光条件と、シール剤6に必要な感光条件の相違が光照射量にある場合にはフィルタ90には半透過性のフィルタを用いて光を調光することができる。また、この照射方法によれば、アレイ基板16側からはシール剤6の硬化のためのUV照射を行い、同時に対向基板4側から液晶23に対するUV照射を行うことができる。

【0262】[実施例10] 実施例10について図55を用いて説明する。図55は、照射光を拡散させるための凹凸が表面に形成されたガラスやフィルム光拡散部材92を照射光源と貼り合わせ基板62との間に挿入した状態を示している。こうすることにより、上記実施例で既に説明した光の回り込み現象を効果的に生じさせることができるようになる。

【0263】次に、本発明の第12の実施の形態による液晶表示装置の製造方法を図56を用いて説明する。本実施の形態では、シール剤の剥離を防止してセル工程での液晶滴下を確実にできる液晶表示装置の製造方法について説明する。

【0264】図56は本実施の形態による液晶パネルのセル工程における液晶の滴下注入を示している。図56(a)は、シール剤6内のアレイ基板上に、隣接する液滴間の拡散距離がほぼ等しくなる位置にほぼ同量の液晶184の滴下を行い、その外周部で液晶拡散が疎となる位置に液晶184の滴下量以下の液晶188を滴下した状態を示している。各液晶184の滴下位置に対して、隣り合う液晶184の滴下位置までの距離は、図示のように $d1=d2=d3=d4=d5=d6$ という関係を有している。図56(b)は、アレイ基板とCF基板とを貼り合わせた後の液晶184、188の拡散状態を示している。図56(b)に示すように、本実施形態では基板貼り合せ後の液晶拡散での間隙186が小さ

く、液晶拡散は5分以内という短時間で終了できる。そのため、従来のようなシール剤の剥離が生じることはなく液晶漏れも生じない。

【0265】このように本実施の形態は、アレイ基板16上の複数箇所に液晶を滴下してからCF基板4と貼り合わせる工程を有する液晶表示装置の製造方法において、液晶184、188の滴下量を滴下箇所により変化させることを特徴としている。また、液晶184の滴下位置を決める滴下パターンと、液晶188の滴下位置を決める滴下パターンとを組み合わせて液晶を滴下することを特徴としている。本例では、液晶184の滴下位置を決める滴下パターンにより、隣接する液滴間の拡散距離がほぼ等しくなる位置にほぼ同量の液晶の滴下が行われ、液晶188の滴下位置を決める滴下パターンにより、液晶184の外周部で液晶拡散が疎となる位置に液晶184の液晶量以下の液晶が滴下される。

【0266】以上説明したように、液晶の滴下量、滴下パターンを2種以上に分けて液晶滴下を行うことにより液晶表示パネル面内での液晶を迅速にほぼ一様に拡散させることができる。液晶液滴は基板貼り合せ時に円形状に拡散するが、隣接する液滴間の拡散距離がほぼ等しくなる位置に液晶を滴下すれば、隣合う液滴同士の干渉は最小となり、シール剤の枠形状で画定される四角形領域に対して円形状の液晶液滴で密充填させることができるようになる。さらに、滴下位置の外周部に液晶拡散が疎となる領域ができる場合には、その領域に見合った量の液晶を補填するようになる。これにより液晶の拡散はコーナ部とパネル面内でほぼ一様に早くなり従来のような不具合の発生を防止することができるようになる。

【0267】次に、本発明の第13の実施の形態による液晶表示装置を図57乃至図60を用いて説明する。本実施形態は、滴下注入法による液晶表示装置の製造方法に関し、特にMVA型の液晶パネルの製造方法に用いて好適である。まず、本実施の形態による滴下注入の概略を図57を用いて説明する。図57は基板面に垂直な方向で切った基板断面を示している。一方の基板(例えばTFT基板)16上に液晶滴下を行い、光硬化性材料からなるシール剤を介して一方の基板16と他方の基板とを貼り合わせ、シール剤に光を照射して硬化させる工程を有する液晶表示装置の製造方法において、図57に示す本実施の形態は、液晶滴下の際に液晶192、194を2回以上に分けて滴下すると共にそれら液晶192、194は成分(構造・組成比など)が異なることを特徴としている。すなわち、本実施の形態では、大気圧下で配向膜190面に接触する液晶192と真空中で配向膜190面に接する液晶194が異なる材料で構成されている。これを実現するため液晶の滴下注入の際、基板16に1回目は信頼性のより高い液晶192を滴下して配向膜190と接触させ、2回目以降は1回目より信頼性がやや劣る液晶194を、1回目に滴下した液晶192

の滴下領域内(同一基板側)に重ねて滴下する。

【0268】また、図58に示すように、3回目以降に信頼性がより高い液晶192若しくは別の液晶196を滴下し、信頼性がより高い液晶192又は196で信頼性がやや劣る液晶194を覆い囲むようにしてもよい。

【0269】あるいは、図59に示すように、基板16に信頼性の高い液晶192を1回目として滴下して配向膜190と接触させ、2回目以降に1回目より信頼性がやや劣る液晶194を1回目に滴下した領域内(同一基板側)に滴下し、基板16に対向する対向基板31の相対する領域に信頼性の高い液晶192、又は196を滴下して貼り合わせるようにしてもよい。

【0270】ここで、液晶の信頼性は、液晶材料が有する特性値(物性値)と関係しており、概ね次のような関係が成立する。すなわち、信頼性がより高い液晶192、196は、信頼性がやや劣る液晶194より液晶の比抵抗が高いこと、及び信頼性がより高い液晶192、196の比抵抗は $10^{14}\Omega\cdot\text{cm}$ 以上であることを満足する。また、信頼性がより高い液晶192、196の誘電率異方性の絶対値( $|\Delta\epsilon_{192}|$ 若しくは $|\Delta\epsilon_{196}|$ )が、信頼性がやや劣る液晶194の誘電率異方性の絶対値( $|\Delta\epsilon_{194}|$ )よりも小さいことが望ましい。若しくは、信頼性がより高い液晶192、196の平均誘電率 $\epsilon_{192}$ 、 $\epsilon_{196}$ 〔平均の誘電率： $\epsilon = (2\epsilon_{\perp} + \epsilon_{\parallel}) / 3$ 〕が5以下であることが望ましい。

【0271】2つの液晶の信頼性を顕著に異ならせる例としては、例えば図59において、信頼性がより高い液晶192、196として強い極性基を持たないニュートラル材料(中性成分)を滴下し、信頼性がやや劣る液晶194としてフッ素などの極性基を有する液晶材料(P型・N型材料)を滴下すればよい。

【0272】また、1回目に滴下した液晶192の上に、2回目の液晶194を滴下して、大気圧下では液晶192が配向膜面に接しないことが必要となる。そこで、信頼性がより高い液晶192、196の表面張力が、信頼性がやや劣る液晶194の表面張力より小さいようにすることが望ましい。

【0273】以上の液晶表示装置の製造方法において、基板16面内での液晶滴下位置により滴下液晶が異なる構造・成分組成比となるようにしてもよい。図60は液晶が滴下された基板16上面を示している。図中○印は液晶滴下位置を示している。斜めのハッチングが施された○印に対して、白○印は信頼性が低い液晶の比率が高い液晶滴下位置を示し、縦横のハッチングが施された○印は信頼性の高い液晶の比率が高い液晶滴下位置を示している。図60に示すように、2枚の基板を貼り合わせるメインシール6に近い液晶滴下位置の液晶は、基板中央部より信頼性がより高い液晶192、196の比率が高くなるようにする。メインシール6と接触したりUV照射を受けたりする液晶滴下位置にはそれらに対する耐性

が高いものが必要となるからである。

【0274】さらに、上述の液晶表示装置に、熱処理によるアニール処理及び液晶層の流動による液晶層の均一化を行うようにしてもよい。液晶材料が液晶層領域において部分的に異なると光学的特性がバラつくことになり、表示ムラが発生するためである。以上説明した製造方法は、垂直配向膜とN型の液晶材料を用い、基板上に土手や突起状の構造物を有するMVAモードの液晶表示装置の製造方法に用いて好適である。

【0275】次に、本実施の形態による液晶表示装置の製造方法を実施例により説明する。

〔実施例1〕透明電極材料であるITO(インジウム・ティン・オキサイド)を用いて、電極面積がそれぞれ $1\text{cm}^2$ となる電極X、電極Y、電極Zを形成した長さ50(mm)、幅60(mm)、厚さ0.7(mm)のガラス基板A、Bを用意する。基板A、Bの対向面に土手材S1808(レジスト)を塗布してパターンングし、突起物を形成する。アッシング処理後、配向膜JALS-684(JSR製)を両基板A、Bに形成する。基板AにUVシール材(共立化学製)を塗布し、基板Bにスペーサ(マイクロバルSP-204:4.0 $\mu\text{m}$ )を散布する。

【0276】滴下注入装置により、基板A側の電極Yだけに $\Delta\epsilon = -2.1$ の液晶を滴下し、次いで基板A側の電極X、Y、Zに対して $\Delta\epsilon = -3.8$ の液晶を滴下し、 $60\text{mW}/\text{cm}^2$ の照射エネルギーでUV光をメインシールに照射して基板A、Bを貼り合わせる。次いで偏光板をクロスニコルに配置してMVAモードの液晶セルを完成させる。液晶セルに電圧3.5Vを印加し、中間調における表示ムラを確認した。その結果、電極X、Zでは滴下跡状のムラが有るのに対し、2度滴下したY電極部分はムラがない良好な配向状態が得られることを確認した。

【0277】〔実施例2〕実施例1のガラス基板を用いて、土手、突起物形成、配向膜形成、シール塗布、UV照射、スペーサ散布は同様にして滴下液晶セルを作製する。滴下注入装置により、基板A側の露極Yだけに $\Delta\epsilon = 0$ であるニュートラル液晶を滴下し、次いで基板A側の電極X、Y、Zに対して $\Delta\epsilon = -4.5$ の液晶を滴下し、 $60\text{mW}/\text{cm}^2$ の照射エネルギーでUV光をメインシールに照射して基板A、Bを貼り合わせる。この基板に対して偏光板をクロスニコルに配置し、MVAモードの液晶セルを完成させる。貼り合わせ後、液晶セルを十分にアニールし、超音波処理を行うことで液晶セル内を均一組成とした。液晶セルに電圧3.5Vを印加し、中間調における表示ムラを確認した。その結果、電極X、Zでは滴下跡状のムラが有るのに対し、2度滴下したY電極部分はムラがない良好な配向状態が得られることを確認した。

【0278】以上説明したように、本実施の形態による

液晶表示装置の製造方法によれば、滴下注入パネルにおける表示ムラを改善することが可能となり、液晶パネルの表示品質を向上させることができる。

【0279】本発明の第14の実施の形態による液晶表示装置及びその製造方法を図61乃至図66を用いて説明する。液晶は、通常、ディスペンサでパネルの複数箇所に滴下する。滴下した液晶22は図61に示すように、時間経過と共に滴下点198から同心円状に拡散する。図112に示すように、複数の滴下した液晶の拡散先端部は重なり合って波打ち形状になる。このため、長方形の枠状に形成されているメインシールの角部は他の部位に比べて液晶の到達が遅れてしまい、真空泡が残ったり、完全に液晶が拡散するまでに長時間を要したりする。液晶の拡散に長時間を要するとシール剤と液晶とが接する時間も長くなるので液晶の汚染も生じやすくなる。

【0280】そこで、本実施の形態では、基板上に液晶の拡散速度を制御する突起物を設けるようにしている。突起物の基板上で所定の配置密度、配置形状で基板上に分布させることにより液晶の拡散速度と方向を制御する。なお、所定のセルギャップを得るために設けられる柱状スペーサを液晶の拡散速度を制御する突起物に流用することも可能である。

【0281】滴下した液晶は基板上を全方向に均等に拡散するが、液晶が突起物に接触するとその拡散先端部は突起物を回り込んで拡散する。このため、突起物の存在する方向の拡散速度は、突起物のない方向の拡散速度より相対的に遅くなる。従って、基板上に所定の分布密度、分布形状で突起物を複数配置することにより基板上に滴下した液晶の拡散先端部の拡散形状を制御することができる。

【0282】図62は、液晶表示パネルに形成された1画素とそこに滴下された液晶の拡散状態を示している。図中縦長の長方形形状を有する画素電極のほぼ中央に液晶が滴下されたものとする。画素電極14外周囲には画素電極14外形の長辺の中心から長辺に沿う比較的長い構造物250aと、短辺の中心から短辺に沿う比較的短い構造物250bが形成されている。画素電極14の対角線方向には構造物は形成されていない。このような構造物250a、250bを設けることにより、滴下された液晶22の各部分への拡散速度が縦横方向に比較して対角線方向に早くなる。そのため、拡散する液晶の先端部の輪郭形状は円形から方形へと変化する。従って、図63に示すように、構造物250a、250bをパネル全体に配置することにより、拡散する液晶先端部の輪郭形状を枠状のメインシール6形状とほぼ相似形にすることができるようになる。また、構造物の配置形状、配置密度を制御すれば、拡散速度の制御も可能である。また、所定のセルギャップを構造物252に代えてビーズ等のスペーサを用いることもできる。

【0283】本実施の形態によれば、液晶の広がる方向と速さを制御することができ、メインシール形状に沿って液晶を拡散させることができる。こうすることにより、メインシール角部に残る真空泡の発生を減少させて歩留まりを向上させ、低コストで貼り合わせ精度のよい液晶パネルを製造できる。以下、本実施の形態による液晶表示装置及びその製造方法を実施例を用いて説明する。

【0284】(実施例1) CF基板上に構造物を形成する。構造物は色版を重ねて形成する。また構造物は2種類形成する。1つは図64に示すように、セルギャップを規定するための構造物252であり、他の一つは図65に示すように、液晶の拡散を制御する構造物250a、250bである。セルギャップを規定するための構造物252は、CF基板4全面に形成する。一方、液晶の拡散を制御する構造物250a、250bは、図66に示すように、シール近傍に配置する。本実施例では、図66におけるメインシール6の横方向にはメインシール6の長辺の1/10程度の幅で、縦方向にはメインシール6の短辺の1/10程度の幅でメインシール6内周囲に構造物250a、250bを設けている。

【0285】なお、セルギャップを規定する構造物252の密度は、セルギャップの精度に応じて減らしてもよい。液晶を滴下した後、減圧雰囲気下で2枚の基板を貼り合わせる。加圧状態(大気圧)に戻すと液晶が拡散するが、セルギャップを規定する構造物252が存在するパネル中央部では、滴下した液晶は滴下場所を中心に同心円状に広がる。液晶の拡散を制御する構造物250a、250bが存在する領域に到達すると、液晶は構造物250a、250bによって拡散する方向が制御されて、画素の対角線方向に広がり易くなる。このため同心円状から方形へと拡散先端部の輪郭形状を変化させて拡散し、最終的にはメインシール6とほぼ同等の形状になって拡散していく。この結果、メインシール6に到達する時刻がメインシール6の各場所においてほぼ同一となるため、コーナ部での真空泡の発生を抑えることができる。

【0286】本実施の形態によれば、液晶を均一に拡散させ、シールコーナ部に真空泡残りのないパネルを歩留まりよく製造できる。また、上記記載の液晶表示装置の製造方法において、加圧状態直後の滴下液晶の拡散先端部がメインシール6に接しない拡散速度になるよう構造物の配置密度あるいは配置形状を制御することもできる。なお、メインシール6の外側周囲に第1ダミーシール6と第2ダミーシール8とが形成されている場合、基板貼り合わせ後の加圧時に第1ダミーシール6及び第2ダミーシール8間に真空領域が形成されるが、このときの滴下液晶の拡散先端部とメインシール6との間の距離は、第1ダミーシール6と第2ダミーシール8との間の幅と同等かそれ以上であることが好ましい。

【0287】次に、本発明の第15の実施の形態による液晶表示装置の製造方法について説明する。本実施の形態では、基板変形や表示不良を減少させてセル工程での液晶滴下を確実にできることを目的とし、そのためのガラス基板の真空中での保持方法に特徴を有する液晶表示装置の製造方法について説明する。

【0288】図67は液晶パネル面に垂直な方向に切断した断面を示しており、図67を用いて本実施の形態による液晶滴下及び基板貼り合わせ工程及びその際の基板保持動作について説明する。まず、図67(a)において、平行定盤256上にアレイ基板16を載置する。アレイ基板16には、既に棒状のシール剤6が形成されており、また滴下注入により液晶184がアレイ基板16面に滴下されている。本例では、シール剤6は約20 $\mu$ mの厚みで塗布されている。ディスペンサにて棒状のシール剤6の内方に滴下される液晶の量は、液晶表示パネルを貼り合わせた後のセル厚を考慮して決定される。例えば、棒形状のシール剤6の内壁の縦横の辺の長さが187.4mm $\times$ 247.7mmであるとすると、滴下すべき液晶量は約280 $\mu$ m<sup>3</sup>程度になる。

【0289】液晶滴下は大気中にて行われる。平行定盤256上面には静電チャック264が設けられているが大気中では動作させず、平行定盤256上のアレイ基板16は位置決めピン(図示せず)等により平行定盤256盤上に載置されている。

【0290】平行定盤256上に載置されたアレイ基板16の直上には、平行定盤258に載置されて機械式保持装置260により保持されたCF基板4が所定距離だけ離れて対向している。平行定盤258上面には静電チャック262が設けられているが大気中では動作させず、従って、平行定盤258上のCF基板4は機械式保持装置260により保持されている。CF基板4面には既に複数のビーズを散布したスペーサ254が付着している。スペーサ254は、ビーズ散布の代わりにCF基板4面から所定の高さの柱状部材を複数形成するようにしてももちろんよい。

【0291】次に、以上説明した状態から雰囲気中の気圧が $5 \times 10^{-3}$ torr程度になるまで減圧する。所定の減圧が行われたら、平行定盤256上面の静電チャック264を動作させてアレイ基板16を静電吸着して平行定盤256上に固定する。また、同様にして平行定盤258上面の静電チャック262を動作させてCF基板4を静電吸着して平行定盤258上に固定する。以上の動作により、アレイ基板16及びCF基板4は基板のそりやたわみ等の変形が取り除かれると共に、それぞれの定盤に確実に固定されて次工程の基板貼り合わせ時に基板ずれ等が生じないようにできる。また、静電チャック262、264の作動は、雰囲気中の気圧が $1 \times 10^{-1}$ torr以下で安定状態になれば開始することができ、アレイ基板16上に形成されたTFT等の回路素子と雰

気中の気体との間で放電が生じることはない。

【0292】次いで、アレイ基板16とCF基板4との位置合わせを行った後、図67(b)に示すように、2つの平行平板256、258を近づけてアレイ基板16とCF基板4との貼り合わせを行う。基板貼り合わせ時の加重は、約150kgfである。

【0293】次に、図67(c)に示すように、静電チャック262による吸着を解除して平行定盤258からCF基板4を開放してから雰囲気中の気圧を大気圧に戻す。これにより、シール剤6及び、液晶184、スペーサ254を介して対向するアレイ基板16とCF基板4とは大気圧によりさらに加圧されて均一なセル厚を得ることができると共に、液晶184もシール剤6内方で均一に拡散される。次に、図67(d)に示すように、光硬化性樹脂からなるシール剤6に例えばUV(紫外光)照射266を行ってシール剤6を硬化させる。

【0294】以上説明したように本実施の形態による基板保持方法を含む液晶表示装置の製造方法によれば、 $10^{-1}$ torr以下の真空度でも確実に基板を平行定盤上に保持することができる。従って、真空中での基板貼り合わせを前提とする滴下注入プロセスに用いて極めて有効である。さらに、基板貼り合わせ時の圧力を十分高くすることができるので基板を均一に貼り合わせることができるようになる。また、液晶表示パネル内の液晶層に空泡が発生することも防止できる。このため、低コストで貼り合わせ精度に優れた液晶表示パネルを製造することができる。

【0295】次に、本発明の第16の実施の形態による液晶表示装置及びその製造方法について図68を用いて説明する。本実施の形態は、第15の実施の形態で使用した静電チャックで生じ得る基板変形や表示不良を減少させてセル工程での液晶滴下を確実にできることを目的とし、そのためのガラス基板の真空中での保持方法に特徴を有する液晶表示装置の製造方法について説明する。

【0296】図68は本実施の形態での静電チャックによる基板貼り合わせを説明する図である。図68(a)は例としてアレイ基板16、16'の2枚取り構成のガラス基板268が静電チャック272~278で静電吸着されている状態の平面図を示している。図68(b)は、アレイ基板16とCF基板4との貼り合わせの際の図68(a)に示すA-A線で切断した断面方向から見た状態を示している。

【0297】図68に示すように、ガラス基板268に並列して形成された2枚のパネル形成領域であってアレイ基板16、16'となる領域(以下、アレイ基板16、16'と略称する)間には両アレイ基板16、16'を電気的に接続する2つの導電バス292、294が形成されている。なお、本実施形態では導電バスを2カ所に設けているが、これに限られず、1カ所あるいは3カ所以上に設けることも可能である。ガラス基板26

8を静電吸着する静電チャックは、平行定盤上に4つの電極272、274、276、278を有している。4つの電極272～278のうち、電極272、276で正電極を構成し、電極274、278で負電極を構成している。正電極272、276と負電極274、278間には電源2294が接続されている。電源288からの印加電圧により正電極272、276で一方のアレイ基板16面を静電吸着し、負電極274、278で他方のアレイ基板16'面を静電吸着するようになっている。各電極272～278の境界には空隙が設けられている。平面図による図示は省略したがCF基板4側のガラス基板270の静電チャックも上述のアレイ基板16、16'側のものと同様の構成を有しており、正電極280、284、負電極79、286(図示を省略)及びそれらに電圧を印加する電源290が設けられている。

【0298】また、パネル形成領域であってCF基板4となる領域(以下、CF基板4と略称する)が複数形成されたガラス基板270にも、ガラス基板268と同様に、2枚のCF基板4を電気的に接続する導電バス(図示せず)が形成されている。特にCF基板4側の導電膜であるコモン電極はシール剥接着強度の低下や短絡による表示不良を防ぐため表示領域のみに形成されているので、通常CF基板4間は電気的に分離されている。従って、CF基板4間にライン状の導電バスを設けて基板面全体で導通をとれば、1つのCF基板4には同極性の電圧を印加しても基板吸着ができるようになる。

【0299】このような構成の静電チャックに、導電膜が形成されたガラス基板を載せて電極と導電膜の間に電圧を印加して、ガラスと導電膜との間にクーロン力を発生させることによりガラス基板を吸着することができる。図68に示す場合は、ガラス基板268上の導電膜は、アレイ基板16、16'上に形成されている画素電極、ゲート配線、データ配線等である。また、CF基板4が形成されたガラス基板270上の導電膜はコモン電極等である。

【0300】このような静電チャックを用いてアレイ基板16、16'とCF基板4とを貼り合わせるには、アレイ基板16に正電極272、276を接触させアレイ基板16'に負電極274、278を接触させて、正負電極間に所定の電圧を印加してガラス基板268を静電吸着する。このとき、図68(a)、(b)に示すように、導電バス292、294によりガラス基板268のアレイ基板16表面は負(-)に帯電し、アレイ基板16'表面は正(+)に帯電する。このようにすると、1つのアレイ基板16又は16'には同一極性の電荷だけが集まるので、従来のような1つのアレイ基板16内の導電膜に正電荷と負電荷の境界線ができることはない。従って、液晶中の不純物イオンが配向膜上に選択的に吸着されることがないので、液晶パネル表面が2等分され

て輝度が異なってしまう表示不良は発生しない。

【0301】またさらに、アレイ基板16、16'を形成するガラス基板268とCF基板4を形成するガラス基板270とを静電吸着により保持しつつ貼り合わせる際、図68(b)に示すように両基板の対向面に同極性の電圧印加を行うようにすれば、対向する基板同士には同極性の電荷が集まって反発し合い、静電吸着による基板吸着力が弱くなることなく、基板変形や基板同士の接触を防止することができるようになる。

【0302】次に、本発明の第17の実施の形態による液晶表示装置の製造方法について図69を用いて説明する。本実施の形態も第16の実施の形態と同様に、第15の実施の形態で使用した静電チャックで生じ得る基板変形や表示不良を減少させてセル工程での液晶滴下を確実にこなすことを目的とし、そのための真空中でのガラス基板の保持方法に特徴を有する液晶表示装置について説明している。図69は本実施の形態での静電チャックによる基板貼り合わせを説明する図である。図69

(a)は例としてアレイ基板16、16'の2枚取り構成のガラス基板268が静電チャックで静電吸着されている状態の平面図を示している。図69(b)は、図69(a)の円形枠内の拡大図を含む電極構造を示している。

【0303】図69に示すように、ガラス基板268に2枚のアレイ基板16、16'(パネル形成領域)が並列して形成されている。ガラス基板268を静電吸着する静電チャックは、平行定盤上に2つの電極部296と297とを有している。図69(b)は電極部296の拡大図である。図69(b)に示すように、静電チャックの電極部296、楕円形状の正電極300と負電極302とが楕歯を交互にかみ合わせて対向するように形成されている。正電極300と負電極302とは電源304に接続されており、電源304により、正電極300からアレイ基板16面を介して負電極302に至る回路に電圧を印加してアレイ基板16面を静電吸着することができるようになっている。

【0304】本実施の形態では正電極300と負電極302との楕歯状電極の間隙(電極ピッチ)は100～1000 $\mu$ m程度に微細化している。従って、微小間隔で交互にかみ合う両電極間に電圧を印加しても、従来のような境界部は目視では判別できないほど微細になるため、製造された液晶パネルは表示面で一様な表示品質を得ることができるようになる。

【0305】次に、本発明の第18の実施の形態による液晶表示装置及びその製造方法について図70及び図71を用いて説明する。なお、第1乃至第17の実施の形態と同一の作用機能を有する構成要素には同一の符号を用いその説明は省略する。図70は、従来(図70

(a))の滴下注入における光硬化プロセスと、本実施形態(図70(b))の滴下注入における光硬化プロセ

ストの比較を示している。両プロセス共、液晶を滴下してからシール剤を塗布して真空排気し（ステップS1）、真空雰囲気中でアレイ基板と対向基板とを貼り合わせる（ステップS2）ところまでは同じである。

【0306】従来では、貼り合わせた基板を大気中に戻し大気圧による押圧（エアプレス）により基板内の液晶を拡散させる（ステップS3）。液晶の拡散を完全にするためさらに数分間基板を放置する（ステップS4）。次いで、シール剤近傍だけにUV光が照射されるように遮光マスクを基板上にセットする（ステップS5）。シール剤硬化のため、UV光源からのUV光をカラーフィルタ側から遮光マスク越しに照射して光硬化プロセスが終了する（ステップS6）。

【0307】これに対し、本実施の形態では、貼り合わせた基板を大気中に戻しエアプレスにより基板内の液晶を拡散させる（ステップS3）のと並行してシール剤硬化のためのUV光をUV光源から照射する（ステップS3'）。このステップS3'は、ステップS3のエアプレス中で、且つ液晶がシール剤およびトランスファに到達するまでに実行され、カラーフィルタ側に直接UV光を照射してシール剤の光硬化を行う。エアプレス及びUV照射が終了したら、液晶拡散のために数分間基板を放置して光硬化プロセスを終了する（ステップS4）。

【0308】なお、従来例及び本実施形態ともに基板の配置関係は、上基板側にカラーフィルタの形成された対向基板を配置し、下基板側にアレイ基板を配置している。また、従来例では基板を固定せずに光硬化を行い、本実施形態では下基板を真空チャックで平行平板上に固定させて光硬化を行った。その結果、従来例ではプレス不良により額縁ムラが発生し、また基板のうねりや反りにより7~10 $\mu$ mの位置ずれが発生した。本実施形態では額縁ムラの発生はなく基板位置ずれも3 $\mu$ m以下に抑えることができた。

【0309】次に、本実施の形態で用いた基板貼り合わせ装置について図71を用いて説明する。図71に示すように、基板を真空チャックにより固定するための真空吸着孔74がステージ面上に複数形成された真空ステージ71と、真空ステージ71のステージ面に対向する押圧用平面を有し、当該押圧用平面にエアプレス用の空気吹き出し孔76が複数形成された基板押圧部72とを有している。ステージ面と基板押圧部72の押圧用平面との対向距離を変えるように基板押圧部72は、図中上下方向に移動可能になっている。なお、真空ステージ71の代わりに、静電チャックを備えたステージを用いてももちろんよい。また、基板押圧部72には、第6の実施の形態で説明したのと同様のUV発光源66が取り付けられており、エアプレス中にシール剤6にUV光を照射することができるようになっている。

【0310】以上の構成により、アレイ基板16を真空吸着孔74（もしくは静電チャック）で真空ステージ7

1上に吸着させて固定し、基板押圧部72の空気吹き出し孔76から対向基板4面にエアを吹き出してエアプレスにより加圧する。そして、同時にUV発光源66からUV光を照射してシール剤6及びトランスファの硬化を行う。この装置によればアレイ基板16が真空ステージ71上で平行固定されているため、非固定側の対向基板4にうねりや反りがあっても熱処理後にアレイ基板16側に沿うように応力が解放されるため位置ずれを小さくすることができる。また対向基板4側からエアプレスにより加圧しながらシール剤6を光硬化させるため、シール剤6は押し返されることがなくなり、プレス不良を防止することができる。

【0311】また、本実施の形態によれば、液晶22がシール剤6及びトランスファに到達する前にUV光照射によりシール剤6及びトランスファの硬化が行われる。従って、未硬化のシール剤6が液晶22に接触して液晶22を汚染することを防止することができるようになる。また、本実施の形態のように、下基板をアレイ基板16、上基板をカラーフィルタが形成された対向基板4とすることによりカラーフィルタを遮光マスクに用いることができる。

【0312】次に、本発明の第19の実施の形態による液晶表示装置及びその製造方法を図72乃至図78を用いて説明する。本実施形態は、滴下注入法による液晶表示装置の製造方法に関する。まず、図72及び図73を用いて製造方法の概略を説明する。図72は、パネル2枚取りの515（mm）×404（mm）のアレイ基板16の概略を示す斜視図である。アレイ基板16上の2つのパネル領域内に配向処理が施され、それぞれのパネル領域外周には枠状のメインシール306が塗布される。それと共に、2つのメインシール306を所定の空隙で囲むダミーシール308が塗布される。メインシール306及びダミーシール308は熱併用型シール剤を用いている。

【0313】シール剤塗布が終わったら、滴下注入法により液晶22をアレイ基板16上の2つのパネル領域内に滴下する。

【0314】次いで図73に示すように、アレイ基板16とCF基板4とを貼り合わせる。CF基板4には予め接着スペーサが散布されている。この工程は真空中で行われる。次いで、貼り合わせた基板を大気に戻すと、図74に示す断面図のように、貼り合わされたアレイ基板16とCF基板4間の液晶22が大気圧により拡散する。このとき、メインシール306とダミーシール308との間は真空領域310が形成されるため、真空領域310の基板上の面積に応じて図74に示すように大気による力P、P1が作用する。この力P、P1はメインシールのギャップ出しに利用され、大気による力P、P1を制御することにより所望のギャップ出しをすることができるようになる。例えば、メインシールの粘度が高



いような場合には、図75に示すように図74の場合よりも真空領域310の基板上面積を広くさせて大きな力P2を作用させるようにしてギャップ出しをすることができる。図76は、真空領域310の基板上面積を変えることにより得られる、表示領域中央部とメインシール近傍のセルギャップの差を示している。図76に示すように、真空領域310の基板上面積を変えることにより、セルギャップ差を制御することができるようになる。

【0315】さらに本実施の形態によれば、真空領域310によりギャップ出しをすることができるため、図77(a)に示すような、メインシール306内に配置しているガラスファイバ等からなる従来のギャップ制御材312を用いる必要がなくなり、パネルサイズやパネル構造の変更に伴ってセル厚が変更になっても容易にギャップ出しができるようになる。またさらに、図77(b)に示すように、メインシール306内にギャップ制御材312を配置する代わりに、ギャップ高さを規定する土手材314をメインシール306近傍に予め形成しておくことができるようになる。

【0316】またさらに、図78に示すように、基板貼り合わせステージに熱ヒータ板316を取り付けて、メインシール306及びダミーシール308を塗布したアレイ基板16を載置して、CF基板4との貼り合わせを行ってもよい。この場合には、シール剤が加熱されてシール硬化が促進されてシール剤の粘度が高くなり、過熱するほどギャップが厚く形成される。従って、基板貼り合わせ直前あるいは基板貼り合わせ時の真空中でシール剤を加熱してギャップ出しの制御を行うことができるようになる。このように本実施の形態によれば、液晶の滴下注入法を用いても良好なセル厚を形成できるようになる。

【0317】本発明の第20の実施の形態による液晶表示装置の製造方法を図79乃至図87を用いて説明する。本実施形態は、滴下注入法による液晶表示装置の製造方法に関する。液晶滴下プロセスにおいてシール剤に真空泡が入っていた場合には、基板貼り合わせ後に液晶が漏れてパネル表示内に真空泡が残り表示不良となる。さらに低粘度(8万~40万cps)のシール剤ではシール硬化前に基板から遊離してしまい、遊離部位から液晶が染み出してきて表示不良となることがある。また、滴下液晶量が多くセルギャップが厚く形成された場合はパネル端面を削って余分な液晶を抜き取って均一なセルギャップを得るようにしているが、コスト増が避けられないという問題がある。

【0318】本実施の形態では、上記の課題を解決するため、パネル領域周囲にメインシールを形成し、メインシールを所定の空隙で囲むように第1ダミーシールを形成し、メインシール内方と空隙の双方に液晶を滴下するようにしている。

【0319】本実施形態によれば、滴下注入における表示不良が最小限に抑えられ、さらにシール剤の粘度等で発生するシール戻りの問題がなくなり材料の選択が容易になると共にセルギャップを容易に調整できるようになる。

【0320】以下、本実施の形態による液晶表示装置の製造方法を実施例を用いて説明する。

(実施例1)515mm×404mmの基板に配向処理をしたCF基板とTFT基板を用いる。図79に示すように、TFT基板320上にメインシール322を囲むように熱併用型シール剤を塗布して第1ダミーシール324を形成する。さらに、熱併用型シール剤を第1ダミーシールの外周囲にも塗布して第2ダミーシール326を形成する。次に、図80に示すように、メインシール322内方及びメインシール322と第1ダミーシールとの間の領域に液晶328を滴下する。

【0321】次に、図81に示すように、CF基板330に接着スペーサ(図示せず)を散布して、真空中でCF基板330とTFT基板320の貼り合わせを行い大気開放と共にギャップ出しをする。

【0322】このとき従来の液晶パネルの場合、図82(b)に示すようにメインシール322の一部に切り欠き332等が生じていると、切り欠き332を介してメインシール322から液晶が流出し、メインシール322内方に真空泡334が入ってしまい表示不良を引き起こす。

【0323】本実施例では、図82(a)に示すように、メインシール322の一部に意図的に切り欠き332を設けておいて液晶328がメインシール322外方に漏れるようにした。しかしながら、メインシール322及び第1ダミーシール324間に液晶328が入っているため、メインシール322内方に真空泡が入り込むことがなく表示不良にはならない。

【0324】(実施例2)実施例1のTFT基板320を用い、第1ダミーシール324と第2ダミーシール326との間は空隙の状態、図83に示すようにTFT基板320とCF基板330とを貼り合わせる。CF基板330には予め接着スペーサが散布されている。この工程は真空中で行われる。次いで、貼り合わせた基板を大気中に戻すと、図83に示す断面図のように、貼り合わせられたTFT基板320とCF基板330間の液晶328が大気圧により拡散する。このとき、第1ダミーシール324と第2ダミーシール326との間は真空領域が形成されるため、真空領域の基板上面積に応じて図83に示すように大気による力P、P1が作用する。この力P、P1はメインシール322のギャップ出しに利用され、大気による力P、P1を制御することにより所望のギャップ出しをすることができるようになる。

【0325】(実施例3)メインシール322を低粘度(8万~40万cps)のシール剤で形成し、第1ダ

ミーシール324と第2ダミーシール326は高粘度で密着性の強いシール剤で形成する。低中粘度(8万~40万cps)のシール剤でメインシール322と第1及び第2ダミーシール324、326を形成させた場合ではシール戻りが発生し液晶漏れが生じるが、第1及び第2ダミーシール324、326に密着性の強いシール剤を使用することにより、メインシール322のシール戻りは発生しても液晶漏れ等の表示不良にはならない。

【0326】(実施例4)図84に示すようにメインシール322の一部に切り欠き332を形成する。メインシール322外周に第1ダミーシール324を塗布する。第1ダミーシール324内側の領域全てに液晶を滴下して、真空中でCF基板とTFT基板の貼り合わせを行う。大気開放と共にギャップを決めた後、120℃のオープンに入れシール剤の本硬化を行って完全にシールを硬化させる。このとき、パネル表示内のセルギャップが目標の厚さより0.4μm薄く形成された。

【0327】そこで図85に示す加圧治具336を用い、メインシール322と第1ダミーシール324との間の領域を0.3kg/cm<sup>2</sup>の圧力で10時間加圧する。この加圧により、メインシール322と第1ダミーシール324との間の領域の液晶328が、図86の矢印で示すように、メインシール322の切り欠き332を通してメインシール322内方に流入して所定のセルギャップが得られる。

【0328】一方、パネル表示内のセルギャップが目標値より厚い場合には、加圧治具336によりメインシール322内方を加圧する。この加圧により、メインシール322内方の液晶328が、図87の矢印で示すように、メインシール322の切り欠き332を通してメインシール322外方に流出して所定のセルギャップが得られる。

【0329】以上の通り本実施の形態によれば、滴下注入における表示不良を最小にして歩留まりを向上させることができる。

【0330】次に、本発明の第21の実施の形態による液晶表示装置及びその製造方法について図88を用いて説明する。本実施の形態では、セル工程での滴下注入における液晶滴下量が正確でなくてもセル厚のばらつきを抑えることができる液晶表示装置について説明する。図88は本実施の形態による基板貼り合わせについての説明図である。図88(a)は、液晶パネル面に垂直な方向に切断した断面であって基板貼り合わせの途中の状態を示し、図88(b)は、液晶パネル面に垂直な方向に切断した断面であって基板貼り合わせが終了した状態を示している。図中既に説明した構成部材と同一の機能作用を有する構成部材には既に用いたのと同じの符号を付してその説明は省略する。

【0331】図88に示すように、アレイ基板16上にはセル厚を規定するための凸状構造物298がシール剤

6内方で表示領域10の外側に枠状に設けられている。また、CF基板4上にもセル厚を規定するための凸状構造物300がシール剤6内方で表示領域10の外側、且つアレイ基板16上の凸状構造物298と対向する位置に枠状に設けられている。

【0332】アレイ基板16の凸状構造物298の内方に、表示領域10内を満たす所要量以上且つシール剤6内を満たすには所要量未満の量の液晶184を滴下する。そして、既に説明した方法により基板貼り合わせを行う。まず、図88(a)に示すように、アレイ基板16とCF基板4とが接近してアレイ基板16側のシール剤6先端部がCF基板4に接触する。さらに押圧力を加えて両基板4、16を近接させるが、この基板貼り合わせの途中においては、凸状構造物298、300間にはまだ隙間があるため、当該隙間を通して表示領域10から溢れた余剰液晶184'はシール剤6と凸状構造物298、300との間隙部93の空隙94に排出される。

【0333】図88(b)に示す基板貼り合わせが終了した状態では、凸状構造物298、300は互いの先端部が密着して、両者の高さの和で所定のセル厚が決定される。それと共に、間隙部93内の余剰液晶184'の流出も阻止される。間隙部93内に空隙94が多少存在しても表示領域外であるので問題は生じない。なお、本実施の形態では、凸状構造物298、300をアレイ基板16、CF基板4の双方に形成したが、これに限られず、アレイ基板16側だけ、あるいはCF基板4側だけに所定の高さの凸状構造物を設けるようにしてももちろんよい。

【0334】以上の説明の通り、本実施の形態によれば、液晶滴下量が変動しても余剰液晶184'はシール剤6と凸状構造物298、300との間に排出されるためアレイ基板16及びCF基板4同士は凸状構造物298、300の高さまで押圧されることになる。これによりセル厚は凸状構造物298、300の高さによって規定されるので、従来のような液晶滴下量に依存してセル厚が変動してしまう問題は発生しなくなる。すなわち、液晶滴下量が正確でなくてもセル厚のばらつきを抑えることができるようになる。

【0335】次に、本発明の第22の実施の形態による液晶表示装置及びその製造方法について図89を用いて説明する。本実施の形態も第6の実施の形態と同様に、セル工程での滴下注入における液晶滴下量が正確でなくてもセル厚のばらつきを抑えることができる液晶表示装置について説明する。図中既に説明した構成部材と同一の機能作用を有する構成部材には既に用いたのと同じの符号を付してその説明は省略する。

【0336】図89に示すように、本実施の形態による表示パネルはシール剤が二重構造になっており、内方のシール剤は図1等に示した四角形の枠状のシール剤6とし、その外側にさらに四角形の枠状のシール剤340を

形成している。そして、内方のシール剤6には、その一部を切り欠いて液晶が流出可能な開放部342が設けられている。

【0337】液晶滴下注入プロセスにより、シール剤6内方を満たす所要量以上であるが、シール剤340内方を満たすには少ない量の液晶を滴下する。次いで、両基板を押し当てて基板を貼り合わせる。このとき、シール剤6内方で余剰となった液晶は、シール剤6の開放部342からシール剤6とシール剤340との間に流出する。

【0338】以上の説明の通り、本実施の形態によれば、液晶滴下量が変動しても余剰液晶はシール剤6とシール剤340との間に排出されるため、従来のような液晶滴下量に依存してセル厚が変動してしまう問題は発生しなくなる。すなわち、液晶滴下量が正確でなくてもセル厚のばらつきを抑えることができるようになる。

【0339】また、本実施の形態では、シール剤6の開放部342はTFT端子部2が形成されていない辺部344に設けている。基板貼り合わせ後、シール剤6とシール剤340との間の領域で基板を切断するため、開放部342は基板切断後に封止する必要がある。TFT端子部2側の辺部に開放部342を設けた場合には、封止剤がTAB (Tape Automated Bonding) 圧着領域にかからないよう工夫する必要があるが生じて封止工程が煩雑となる。それに対して、TFT端子部2の形成されていない辺部344側に開放部342を設けることにより封止工程を簡便に行うことができるようになる。

【0340】次に、本発明の第23の実施の形態による液晶表示装置及びその製造方法について図90を用いて説明する。図中既に説明した構成部材と同一の機能作用を有する構成部材には既に用いたのと同一の符号を付してその説明は省略する。まず、図90(a)は、アレイ基板16側の上面を示しており、図90(b)は、図90(a)のA-A線で切断した断面を示している。アレイ基板16上には表示領域10が形成され、その周囲に、シール剤6が四角形の枠状に形成されている。そして、シール剤6の外側周囲には、四角形の枠状で枠内に一定の空間を有する6個のシール剤346-1~346-6が形成されている。

【0341】液晶の滴下注入プロセスにおいて、シール剤6内方の表示領域10上にだけ液晶を滴下し、シール剤346-1~346-6の枠内には液晶を滴下しないようにする。次いで真空雰囲気中でアレイ基板16をCF基板4(図示せず)と貼り合わせる。こうすると、液晶を滴下していないシール剤346-1~346-6の枠内は減圧状態で貼り合わせられているため、大気中で吸盤の働きをするようになる。このため、基板貼り合わせ後にパネルを大気に解放した際の両基板間のずれを確実に防止して貼り合わせ精度を向上させることができる。

【0342】図90(c)は、シール剤346-1~346-6の変形例を示しており、四角形の枠状の形状に代えて、円筒状のシール剤346をシール剤6の外側周囲に複数配置したものである。このようにしてもシール剤346の円筒状枠内は減圧状態で貼り合わせられるので、大気中に基板を戻すと吸盤の働きをする。このため、基板貼り合わせ後にパネルを大気に解放した際の両基板間のずれを確実に防止して貼り合わせ精度を向上させることができる。シール剤346の形状や大きさ、数量、配置位置等は、図90(a)~(c)の例に限られず種々の形態を取り得るものである。

【0343】以上説明したように上記第1乃至第23の実施の形態によれば、セル工程での液晶滴下注入プロセスに関連する製造技術上の課題を解決することができ、滴下注入法を用いて高い歩留まりで液晶表示装置を製造できるようになる。これにより滴下注入プロセスの適用が実現のものとなり、液晶表示装置のさらなるコストダウンを図ることができ、またCRTの代替による市場規模を拡大することができるようになる。

【0344】次に、本発明の第24の実施の形態による液晶表示装置及びその製造方法について図91乃至図94を用いて説明する。なお、上記実施の形態と同一の作用機能を有する構成要素には同一の符号を付してその説明は省略する。本実施の形態は液晶の滴下注入法におけるガラス基板の保持方法に関し、真空中で基板を定盤上に保持し、液晶パネルを簡易で低コストで製造することを目的としている。

【0345】滴下注入法では、液晶を基板に滴下してから減圧雰囲気中でアレイ基板と対向基板とを位置合わせしてから貼り合わせる。ところが、減圧雰囲気下での基板の正確な位置合わせは困難を伴っている。また、位置合わせをするためのアライメント系が複雑で装置が大型化する傾向にある。

【0346】本実施の形態では、基板上に突起物を設け、基板を貼り合わせる際には両基板上に形成した突起物を基準にして簡易な方法で正確な位置合わせができるようにしている。本実施の形態による液晶表示装置の基板の概略の構成について図91を用いて説明する。図91に示すように、アレイ基板16上にはシール剤6、7が2重に塗布されている。シール剤6とシール剤7との間の領域には、基板面から所定高さを有する突起部96が枠状に形成されている。また、アレイ基板16の表示領域内には液晶22が図示を省略した液晶滴下装置により複数点に滴下されている。一方、対向基板4にも枠状の突起部98が形成されている。

【0347】図91のA-A線で切断した断面を示す図92を用いて、より詳細に突起部96、98について説明する。図91に示すように、シール剤6とシール剤7との間に形成された突起部96、98は、突起部96に対して突起部98の方が所定寸法だけ基板面上で内側に

形成されている。従って、大まかな位置合わせをしてから両基板4、16を貼り合わすと、突起部98の基板外方の段差と突起部96の基板内方の段差とがはまり合うようになっている。これにより正確に2つの基板4、16を貼り合わせることができる。なお、突起部96、98は双方の高さの合計がパネルのセル厚よりも高く形成されている。また、2つの基板に設けられた突起部の少なくとも一方の突起部は、基板面に対して壁部の包絡線が傾斜するように形成する。

【0348】突起部98は例えば、対向基板4にカラーフィルタを形成する際の3つのカラーフィルタ形成材料をフォトリソグラフィ技術にてパターニングして段差状に積層することにより作られている。突起部96は、アレイ基板16上にTFT等の素子を形成する際のフォトリソグラフィ工程で用いられるレジストをパターニングして積層して作られている。

【0349】図93は突起部の変形例を示している。図93に示すように、例えばアレイ基板16側の突起部96を凹状に形成し、対向基板4側の突起部を凸状に形成して両者をはめ込むようにしても正確な位置決めができる。なお、本実施形態では、突起部96を2本の平行な構造物とし、突起部98を突起部96の平行な構造物の間にはめ込むようにして基板全周に連続的に突起部96、98を設けるようにしているが、これは必須ではなく例えば稜状の突起部を稜に沿って断続的に形成してももちろんよい。また、基板上下及び左右の4カ所に突起部を設けるようにしてももちろんよい。要は、貼り合わせる2つの基板の一方の位置と、それに直交する方向の位置が決まるように突起部が設けられていけばよい。また、図93に示す突起部96を円環状のすり鉢状に形成し、突起部98は全体としてそれと組み合わせることのできる円錐状に形成し、それらを複数個基板上に形成するようにしてももちろんよい。

【0350】また、上記実施形態では2重のシール剤6、7を形成しているが、外側に形成するシール材7は、内側のシール材6と異なる材質であってももちろんよい。この場合、シール剤6は、液晶22の抵抗値を大幅に変えないような材質であればよい。液晶の電圧保持率が低下して表示ムラを発生させないように液晶22の抵抗率変化が5%未満となる材料を用いることが望ましい。また、外側のシール剤7は、内側のシール剤6と異なるものを用いてもよい。なお、2重のシール剤6、7は、貼り合わせた2枚の基板間で2重シール剤構造が吸盤の用をなして両基板をいっそう緊密に固定するために設けられているので、例えばシール剤6のみの構造としてももちろんよい。

【0351】このように本実施の形態によれば、基板貼り合わせにおける最終的な位置合わせは基板に形成された突起物の位置によって決めることができる。突起物をフォトリソグラフィの手法を用いて形成すれば、容易に

2 $\mu$ m程度の位置合わせ精度が実現できる。従って、減圧雰囲気下で容易に正確に位置合わせができ、装置の大型化も抑えることができ、製造コストを増加させずに貼り合わせ精度のよい液晶パネルを製造できる。

【0352】本実施の形態によれば、低コストで位置合わせ精度の向上した液晶表示パネルを製造できる。また、シール剤が熱硬化性の材料で形成されていて熱硬化処理の際にシール剤が軟化しても基板の位置ずれ等を防止することができる。

【0353】図94は本実施の形態で用いた液晶滴下装置を示している。液晶を滴下する液晶ディスペンサ部350先端の液晶滴下孔の周囲に、フランジ状の液晶飛散防止部材101が取り付けられている。この液晶飛散防止部材101により、液晶が例えばアレイ基板16の基板面に滴下された際に、滴下液晶の飛沫がシール剤6、7等に付着してしまうことを防止できる。シール剤6、7への液晶飛沫の付着を阻止することによりシール剤の密着強度をさらに向上させることができるようになる。

【0354】次に、本発明の第25の実施の形態による液晶表示装置を図72及び図95乃至図100を用いて説明する。本実施形態は、滴下注入法による液晶表示装置の製造方法に関する。本実施の形態では、滴下注入法において基板を貼り合わせて大気開放した後、基板を平坦度の高いステージに載置し、さらに基板をステージに吸着させた状態でシール剤硬化のためのUV照射を行うことに特徴を有している。基板を平坦度の高いステージ面に吸着保持させることにより、平坦度の高いステージ面に基板面が做うので基板ズレや歪みが抑えられ安定したシール剤硬化を得ることができるようになる。

【0355】また、大気開放時の基板載置ステージとUV照射時の基板載置ステージとを同一のステージを用いるようにすればさらに基板ズレに対する安定性を増すことができる。大気開放時とUV照射時のステージを変更させるならば、UV照射までの基板の搬送、待機時間を常に一定に保つことで安定した歪みとなり、ズレも制御できる。

【0356】以下、本実施の形態による液晶表示装置の製造方法の実施例について比較例と共に図面を用いて説明する。配向膜処理を施した15インチ2面取りのアレイ基板およびCF基板の一方の基板に接着スペーサ若しくは樹脂製の柱状スペーサを形成し、他方の基板に熱併用型のUVシール剤を塗布する。このとき第19の実施の形態の図72に示したようなメインシール306の外周をダミーシール72で囲い真空領域74を形成することにより、基板貼り合わせ時のアレイ基板16とCF基板4間の基板ズレおよび基板搬送中の振動や撓みによる基板ズレを常にほぼ一定にすることができるようになる。

【0357】次いでアレイ基板16に液晶22を滴下してから真空雰囲気内のステージに載置して両基板を貼り

合わせる。次に大気開放を行うが、メインシール306で囲まれた領域は真空に保たれているため、液晶22が当該領域内に拡散すると同時に大気圧との差圧でギャップ形成が開始される。

【0358】この時点で、まず比較例として平坦度の低い通常の机上等にパネルを搬送し再び大気開放時のステージ上に戻してUV照射を行う。

【0359】一方、実施例として比較例と同様にパネルを通常の机上等に放置した後、大気開放時のステージ上に戻し、さらにステージに設けた吸着機構によりパネルを吸着させてUV照射を行う。

【0360】図95は上記の実施例及び比較例の結果を図示している。図95において、1目盛は1 $\mu$ mであり、角部に×印を付した実線は設計値に基づく15インチ2面取りのアレイ基板上のCF基板の貼り合わせ位置を示している。図95において、角部に△印を付した実線は、本実施例によるアレイ基板とCF基板の貼り合わせズレを示している。また、角部に◆印を付した実線は、比較例によるアレイ基板とCF基板の貼り合わせズレを示している。図95に示すように、本実施例の場合には、基板間のズレは小さく2 $\mu$ m前後となるのに対し、比較例の場合は、パネルに大きな歪みが生じているため基板間に5 $\mu$ m以上のズレが生じている。

【0361】次に実施例2として、平坦度が±50 $\mu$ mのステージ上にパネルを載置して真空中で貼り合わせ、大気開放後も当該ステージに吸着したままギャップ出しが完了するまで待機し、吸着したままシール剤のUV硬化を行う。図96は実施例2の結果を図示している。図96において、1目盛は1 $\mu$ mであり、角部に×印を付した実線は、設計値に基づく15インチ2面取りのアレイ基板上のCF基板の貼り合わせ位置を示している。図96において、角部に■印を付した実線は、本実施例の1回目によるアレイ基板とCF基板の貼り合わせズレを示している。角部に△印を付した実線は、本実施例の2回目によるアレイ基板とCF基板の貼り合わせズレを示している。図96から明らかなように、本実施例によれば基板間ズレを2 $\mu$ m以下にできると共に、常にほぼ一定の安定した基板間ズレ量に抑えることができるようになる。

【0362】一方、比較例2として、平坦度が±50 $\mu$ mのステージ上にパネルを載置して真空中で貼り合わせ、大気開放後はステージから搬出して机上でUV照射する。図97は比較例2の結果を示している。図97において、1目盛は1 $\mu$ mであり、角部に×印を付した実線は、設計値に基づく15インチ2面取りのアレイ基板上のCF基板の貼り合わせ位置を示している。図97において、角部に■印、◆印、及び△印を付した実線は、本比較例の1～3回のアレイ基板とCF基板の貼り合わせズレを示している。図97から明らかなように、比較例2ではパネルに生じた歪みによる大きな基板間ズレが

生じることがわかる。

【0363】次に、実施例3として図98に示すように、パネルの歪みを考慮してパネル下方の四隅及びほぼ中央を5本のピン352で大気開放後のパネルを所定時間支持した後、再び貼り合わせ時のステージに載置して吸着させてUV照射によるシール硬化を行う。実施例3の結果を図99に示す。図99において、1目盛は1 $\mu$ mであり、角部に×印を付した実線は、設計値に基づく15インチ2面取りのアレイ基板上のCF基板の貼り合わせ位置を示している。図99において、角部に■印を付した実線は、パネルを30秒間ピン352により支持した後にステージに載置して吸着させてUV照射によるシール硬化を行った結果である。角部に△印を付した実線は、パネルを60秒間ピン352により支持した後にステージに載置して吸着させてUV照射によるシール硬化を行った結果である。また、角部に◆印を付した実線は、ピン352による支持なしでステージに載置して吸着させてUV照射によるシール硬化を行った結果である。図99から明らかなように、パネルを支持している時間で歪み変動している。図99に示す程度の歪みの量が少ない常に安定した歪み量であればパネルを載置するステージ装置による補正等で基板間ズレを管理することができる。

【0364】上述と同様の動作でパネルを搬送し、大気開放後のUV照射までの時間を一定にして吸着してUV硬化した場合であって連続して5基板作製した結果を図100に示す。図100から明らかなようにCF基板の四隅で幅3 $\mu$ m以内の正方形領域内に収まるズレ量となり、量産工程でも貼り合わせ時のオフセット補正で十分管理できることがわかる。また、UV波長が280nm以下を発生させるUVランプを使用した場合、液晶が劣化して保持率を低下させる表示不良が発生したが280nm以下をカットするフィルタを使用することで表示不良のないパネルを形成することができる。

【0365】このように本実施の形態によれば、滴下注入法を用いることによりガラス基板に生じる歪みや対向配置された2枚の基板のズレを安定して制御でき、表示不良の生じない量産可能な安定した製造工程を得ることができる。

【0366】次に、本発明の第26の実施の形態による液晶表示装置の製造方法について図101乃至図103を用いて説明する。本実施形態も滴下注入法による液晶表示装置の製造方法に関し、特にMVA型の液晶パネルの製造方法に用いて好適である。初めに本実施の形態による液晶表示装置の製造方法により製造されたアクティブマトリクス型の液晶表示装置の概略の構成を図101を用いて説明する。図101は液晶表示装置のアレイ基板を液晶層側から見た基板平面及び画素の等価回路を示している。図101に示すように、アレイ基板16上には図中上下方向に延びる複数のドレインバスライン35

3が形成されている。またアレイ基板16上には、ドレインバスライン353に直交して図中左右方向に延びる複数のゲートバスライン354が形成されている。これらドレインバスライン353とゲートバスライン354とで画定される領域が画素領域である。

【0367】各画素領域内であってドレインバスライン353とゲートバスライン354との交差位置近傍にはTFT356が形成されている。TFT356のドレイン電極358は隣接するドレインバスライン353に接続されている。ソース電極360は画素領域内に形成された画素電極364と接続されている。ゲート電極362は隣接するゲートバスライン354に接続されている。また、各画素領域を横切って蓄積容量バスライン355が形成されている。

【0368】また、各ゲートバスライン354の一端部は、ゲートバスライン東ね配線366により電氣的に接続されている。ゲートバスライン東ね配線366端部は、アレイ基板16の基板端部にまで引き出されて外部接続端子368に接続されている。同様に、ドレインバスライン353の一端部は、ドレインバスライン東ね配線370により電氣的に接続されている。ドレインバスライン東ね配線370端部は、アレイ基板16の基板端部にまで引き出されて外部接続端子372に接続されている。

【0369】さらに、蓄積容量バスライン355の一端部は、蓄積容量バスライン東ね配線374により電氣的に接続されている。また、CF基板4側に形成された共通電極(図示せず)もトランスファ378を介して蓄積容量バスライン東ね配線374に接続されている。蓄積容量バスライン東ね配線374端部は、アレイ基板16の基板端部にまで引き出されて外部接続端子376に接続されている。外部接続端子368、372、376は隣接してアレイ基板16端部に並んで配置され、パネル検査時において検査装置からの信号を入力することができるようになっている。また、アレイ基板16の外部接続端子368、372、376の配置端部は、CF基板4端部よりずれて位置するように形成されている。

【0370】これらの東ね配線366、370、374は、アレイ基板16の製造工程における静電気保護のために各バスライン354を電氣的に接続する共通電極として利用される。これら東ね配線366、370、374のうち、ゲートバスライン東ね配線366とドレインバスライン東ね配線370は、アレイ基板16とCF基板4とを貼り合わせてパネル検査を行った後切断されて分離される。一方、蓄積容量バスライン東ね配線374はそのまま残されて共通電極電位が蓄積容量バスライン355に供給されるように機能する。

【0371】図101に示した液晶表示パネルは、例えばアレイ基板16上に液晶滴下を行い、光硬化性材料からなるシール剤を介してアレイ基板16とCF基板4と

を貼り合わせ、シール剤に光を照射して硬化させる工程を有する液晶表示装置の製造方法において、アレイ基板16及びCF基板4端部が相対的にずれるように両基板を貼り合わせ、ずれた領域にパネル検査用の外部接続端子368、372、376を配置することにより得られる。なお、アレイ基板16及びCF基板4の基板サイズを予め異ならせておいて両基板を貼り合わせた際にできる空き領域に外部接続端子368、372、376を配置するようにしてもよい。

【0372】次に、図102及び図103を用いてパネル検査の一例について説明する。図102の横軸は時間を表し縦軸は電圧を表している。図102は、外部接続端子368からゲート電圧(Vg)を印加し、外部接続端子372からドレイン電圧(Vd)を印加し、外部接続端子376から共通電圧(Vc)を印加した際の各電圧波形を示している。図102に示すパネル検査では、セルギャップ異常や液晶注入異常(未注入、リーク等)を検査することを目的としている。このため、共通電圧(Vc)を10Vで固定し、また、ゲート電圧(Vg)も22Vで固定した状態で、ドレイン電圧(Vd)を16.7ms間隔で共通電圧を基準に正逆1.6~5.0Vの範囲で反転させて表示領域の表示ムラを検出するようにしている。表示ムラの検出は、目視あるいはCCD等の固体撮像素子による自動検出が可能である。

【0373】図103は、セル厚の相違による透過率の変化を示しているグラフである。図103において、横軸にドレイン電圧Vdをとり、縦軸に透過率をとっている。また、図中実線で示した曲線はセル厚が4.2μmの場合を示し、破線の曲線はセル厚が3.8μmの場合を示している。従って、図103から明らかのように、図102で説明したパネル検査を行うことにより、パネル表示領域内のセル厚の分布に応じて輝度が異なる表示ムラを検出することができる。

【0374】以上説明したパネル検査により、液晶注入不良やギャップ出し不良が発見された場合には、アレイ基板16とCF基板4とを引き剥がして前工程に再投入することが可能である。液晶の滴下注入を用いた液晶表示装置の製造工程では、多面取りしたマザーガラスの切断等は工程の最後に行われるため、引き剥がされたアレイ基盤16やCF基板4はそれぞれ前工程と同一のガラスサイズを維持している。再生処理では、液晶をアルコールやアセトン等の溶剤で洗い、配向膜やシール剤をアッシングや溶剤等により基板から取り除くことにより、配向膜印刷工程からやり直すことが可能になる。

【0375】以上説明した実施形態に基づき、本発明は以下のようにまとめられる。

(第1の発明)2つの基板間に挟まれた液晶を封止する光硬化性材料からなるシール剤を備えた液晶表示装置において、前記シール剤と接触する遮光膜の領域には青色

着色層が形成され、前記シール剤の光硬化性材料は、青色帯域の波長の光に光反応域を有していることを特徴とする液晶表示装置。

【0376】(第2の発明) 上記第1の発明の液晶表示装置において、前記遮光膜は、赤色光を透過させる赤色着色層と、緑色光を透過させる緑色着色層と、青色光を透過させる前記青色着色層とを重ね合わせた遮光領域を有し、前記赤色着色層、前記緑色着色層、及び前記青色着色層は、各画素に対応して形成される赤色、緑色、青色のカラーフィルタの形成材料とそれぞれ同一材料で形成されていることを特徴とする液晶表示装置。

【0377】(第3の発明) 2つの基板間に挟まれた液晶を封止する光硬化性材料からなるシール剤を備えた液晶表示装置において、前記シール剤は、前記2つの基板のうち的一方との接触領域の少なくとも一部が前記一方の基板に形成された遮光膜と重なり合っていることを特徴とする液晶表示装置。

【0378】(第4の発明) 2つの基板間に挟まれた液晶を封止する光硬化性材料からなるシール剤を備えた液晶表示装置において、前記2つの基板のいずれかに形成された遮光膜と、着色粒子が添加されて前記遮光膜下方に形成され、前記2つの基板を電気的に接続するトランスファと、前記トランスファ上方の前記遮光膜に開口された光入射孔とを備えたことを特徴とする液晶表示装置。

【0379】(第5の発明) 液晶を挟持して対向する2枚の基板と、前記基板の表示領域の外側周辺部で前記2枚の基板を貼り合わせるメインシールと、前記メインシールと前記表示領域との間の領域に形成された枠状構造物と、前記メインシールと前記表示領域との間の領域を遮光するブラックマトリクス額縁とを有し、前記枠状構造物の外周端と前記ブラックマトリクス額縁の外周端とは、前記基板面に垂直な方向から見てほぼ一致するように形成されていることを特徴とする液晶表示装置。

【0380】(第6の発明) 第5の発明の液晶表示装置において、前記枠状構造物は、前記表示領域内に配置されたスペーサのほぼ半分以上の高さを有し、前記枠状構造物表面又はその対向領域の少なくともいずれかに垂直配向膜が形成されていることを特徴とする液晶表示装置。

【0381】(第7の発明) 第5又は6の発明の液晶表示装置において、前記メインシールより外側の領域に形成された第2の枠状構造物を有し、前記メインシールと前記表示領域との間の領域に形成された前記枠状構造物と、前記第2の枠状構造物とで前記メインシールの両側を囲うことを特徴とする液晶表示装置。

【0382】(第8の発明) 第7の発明の液晶表示装置において、前記第2の枠状構造物の一部又は全部は、前記ブラックマトリクス額縁内に形成され、前記メインシールの形成領域上にはブラックマトリクスを形成しない

ことを特徴とする液晶表示装置。

【0383】(第9の発明) 2つの基板間に挟まれた液晶を封止する光硬化性材料からなるシール剤を備えた液晶表示装置において、前記2つの基板の少なくとも一方の前記シール剤と接触する領域に凹凸構造を有する光反射層が形成されていることを特徴とする液晶表示装置。

【0384】(第10の発明) 2つの基板間に挟まれた液晶を封止する光硬化性材料を含む枠状に形成されたメインシールを備えた液晶表示装置において、前記メインシールの角部に隣接し、前記メインシール外側で且つ一方の基板の端部より内側となる領域に前記メインシール以上の剥離強度を有する接合物を部分的に配置することを特徴とする液晶表示装置。

【0385】(第11の発明) 2つの基板間に挟まれた液晶を封止する光硬化性材料を含む枠状に形成されたメインシールを備えた液晶表示装置において、前記メインシールの角部に隣接し、前記メインシール内側かつ表示領域外側となる領域に、セルギャップ相当の厚さを有し遮光用BM額縁の角部形状に準じたL字型の形状を有する構造物を配置することを特徴とする液晶表示装置。

【0386】(第12の発明) 2つの基板間に挟まれた液晶を封止する光硬化性材料からなるシール剤を備えた液晶表示装置において、前記2つの基板の前記シール剤と接触する領域に光反射層が形成されていることを特徴とする液晶表示装置。

【0387】(第13の発明) 第12の発明の液晶表示装置において、前記光反射層はラインアンドスペースパターンを有し、前記2つの基板間でほぼ半ピッチずれて形成されていることを特徴とする液晶表示装置。

【0388】(第14の発明) 第12又は13の発明の液晶表示装置において、前記2つの基板のうち少なくとも一方の前記光反射層は、バスライン形成材料と同一の材料で形成されていることを特徴とする液晶表示装置。

【0389】(第15の発明) 2つの基板間に挟まれた液晶を封止する光硬化性材料からなるシール剤を備えた液晶表示装置において、前記2つの基板の前記シール剤近傍に前記液晶を垂直配向させる配向膜が形成されていることを特徴とする液晶表示装置。

【0390】(第16の発明) 2つの基板間に挟まれた液晶を封止する光硬化性材料からなるシール剤を備えた液晶表示装置において、前記2つの基板の画像表示領域と前記シール剤との間で対向する2つの電極を備えていることを特徴とする液晶表示装置。

【0391】(第17の発明) 複数の画素が形成された表示領域の外側に枠状に形成されたシール剤で、対向する2つの基板を貼り合わせて液晶を封止した液晶表示装置において、前記シール剤内方に滴下液晶の拡散を制御する複数の構造物が形成されていることを特徴とする液晶表示装置。

【0392】(第18の発明) 第17の発明の液晶表示

装置において、前記複数の構造物は、前記基板上で所定の配置密度あるいは配置形状で基板上に分布していることを特徴とする液晶表示装置。

【0393】(第19の発明)複数の画素が形成された表示領域の外側に枠状に形成されたシール剤で、対向する2つの基板を貼り合わせて液晶を封止した液晶表示装置において、前記2つの基板の少なくとも一方に、前記シール剤内方且つ前記表示領域の外側に枠状に設けられた凸状構造物を有することを特徴とする液晶表示装置。

【0394】(第20の発明)複数の画素が形成された表示領域の外側に枠状に形成されたシール剤で、対向する2つの基板を貼り合わせて液晶を封止した液晶表示装置において、前記シール剤の外側周囲に、中空枠状のシール剤がさらに形成されていることを特徴とする液晶表示装置。

【0395】(第21の発明)光硬化性材料のシール剤で2つの基板を貼り合わせて液晶を封止し、前記シール剤に光を照射して硬化させて前記2つの基板を固定する液晶表示装置の製造方法において、前記光硬化性材料として、青色帯域の波長の光に光反応域を有する光硬化性樹脂を用い、前記2つの基板を貼り合わせた際に前記シール剤が接触する遮光膜の領域には青色帯域の光を透過させる着色層のみを形成することを特徴とする液晶表示装置の製造方法。

【0396】(第22の発明)第21の発明の液晶表示装置の製造方法において、前記着色層は、画素に形成される青色のカラーフィルタの形成時に同時に形成されることを特徴とする液晶表示装置の製造方法。

【0397】(第23の発明)一方の基板上の複数箇所に液晶を滴下してから、光硬化性材料からなるシール剤を介して前記一方の基板と他方の基板とを貼り合わせ、前記シール剤に光を照射して硬化させる工程を有する液晶表示装置の製造方法において、前記シール剤の前記他方の基板との接触領域の少なくとも一部が前記他方の基板上に形成された遮光膜と重なり合うように形成し、前記他方の基板に形成されたカラーフィルタを含む領域に光を照射して前記シール剤を硬化させることを特徴とする液晶表示装置の製造方法。

【0398】(第24の発明)基板の表示領域の外側周辺部に紫外線硬化樹脂を塗布してメインシールを形成し、前記メインシールと前記表示領域との間の領域に、紫外線をほぼ透過しない材質の枠状構造物を形成し、前記基板と対向基板とで液晶を挟持して貼り合わせ、前記基板面に対して水平若しくは斜め方向から紫外線を照射して、前記メインシールを硬化させることを特徴とする液晶表示装置の製造方法。

【0399】(第25の発明)第24の発明の液晶表示装置の製造方法において、凹凸構造が形成された基板ステージ上に前記基板を載置し、前記斜め方向から照射される紫外線を前記凹凸構造で前記メインシールに反射さ

せることを特徴とする液晶表示装置の製造方法。

【0400】(第26の発明)一方の基板上の複数箇所に液晶を滴下してから、光硬化性材料からなるシール剤を介して前記一方の基板と他方の基板とを貼り合わせ、前記シール剤に光を照射して硬化させる工程を有する液晶表示装置の製造方法において、前記光は、偏光光を用いることを特徴とする液晶表示装置の製造方法。

【0401】(第27の発明)第26の発明の液晶表示装置の製造方法において、前記光の偏光軸は、前記液晶の分子の短軸方向にほぼ一致させることを特徴とする液晶表示装置の製造方法。

【0402】(第28の発明)一方の基板上の複数箇所に液晶を滴下してから、光硬化性材料からなるシール剤を介して前記一方の基板と他方の基板とを貼り合わせ、前記シール剤に光を照射して硬化させる工程を有する液晶表示装置の製造方法において、前記シール剤近傍の前記液晶の分子を垂直配向させて前記光を照射することを特徴とする液晶表示装置の製造方法。

【0403】(第29の発明)第28の発明の液晶表示装置の製造方法において、前記液晶は正の誘電異方性を有し、前記基板間に電圧を印加して少なくとも前記シール剤近傍の前記液晶を垂直配向させることを特徴とする液晶表示装置の製造方法。

【0404】(第30の発明)一方の基板上の複数箇所に液晶を滴下してから、光硬化性材料からなるシール剤を介して前記一方の基板と他方の基板とを貼り合わせ、前記シール剤に光を照射して硬化させる工程を有する液晶表示装置の製造方法において、前記液晶は光重合性材料を含み、前記液晶に光を照射して硬化させた後、前記シール剤を硬化することを特徴とする液晶表示装置の製造方法。

【0405】(第31の発明)一方の基板上の複数箇所に液晶を滴下してから他方の基板と貼り合わせる工程を有する液晶表示装置の製造方法において、前記液晶の滴下量を滴下箇所により変化させることを特徴とする液晶表示装置の製造方法。

【0406】(第32の発明)一方の基板上の複数箇所に液晶を滴下してから他方の基板と貼り合わせる工程を有する液晶表示装置の製造方法において、滴下位置を決める複数の滴下パターンを組み合わせて前記液晶を滴下することを特徴とする液晶表示装置の製造方法。

【0407】(第33の発明)一方の基板上の複数箇所に液晶を滴下してから他方の基板と貼り合わせる工程を有する液晶表示装置の製造方法において、隣接して滴下された液晶との液晶拡散距離がほぼ等しくなる位置に前記各液晶を滴下することを特徴とする液晶表示装置の製造方法。

【0408】(第34の発明)第33の発明の液晶表示装置の製造方法において、前記各液晶は、ほぼ同量の液晶量で滴下され、さらに、前記液晶拡散距離が等しくな



い位置に前記液晶量以下の量を有する液晶を滴下することを特徴とする液晶表示装置の製造方法。

【0409】(第35の発明)一方の基板上に液晶滴下を行い、光硬化性材料からなるシール剤を介して前記一方の基板と他方の基板とを貼り合わせ、前記シール剤に光を照射して硬化させる工程を有する液晶表示装置の製造方法において、前記液晶滴下は、成分が異なる2種以上の液晶を同一滴下領域内に重ねて滴下することを特徴とする液晶表示装置の製造方法。

【0410】(第36の発明)第35の発明の液晶表示装置の製造方法において、前記2種以上の液晶は、信頼性の相対的に高い第1の液晶とそれより信頼性の低い第2の液晶とを少なくとも有し、前記第1の液晶を滴下した後、基板上に滴下された前記第1の液晶上に前記第2の液晶を滴下することを特徴とする液晶表示装置の製造方法。

【0411】(第37の発明)一方の基板上の複数箇所に液晶を滴下し、減圧下でシール剤を介して他方の基板と貼り合わせてから加圧状態に戻す工程を有する液晶表示装置の製造方法において、前記基板上に滴下液晶の拡散を制御する構造物を形成することを特徴とする液晶表示装置の製造方法。

【0412】(第38の発明)第37の発明の液晶表示装置の製造方法において、棒状に形成された前記シール剤の対角線方向に前記滴下液晶の拡散速度が高くなるように前記構造物の配置密度あるいは配置形状を制御することを特徴とする液晶表示装置の製造方法。

【0413】(第39の発明)一方の基板上に液晶を滴下してから他方の基板と貼り合わせる工程を有する液晶表示装置の製造方法において、前記両基板の貼り合わせの際、前記又は他方の基板の少なくともいずれかを機械的に保持した状態で雰囲気減圧し、所定の気圧になったら前記基板の保持を機械的保持から静電チャックによる保持に切り替えることを特徴とする液晶表示装置の製造方法。

【0414】(第40の発明)第39の発明の液晶表示装置の製造方法において、前記静電チャックは、前記気圧が $1 \times 10^{-1} \text{ torr}$ 以下で前記基板を吸着保持することを特徴とする液晶表示装置の製造方法。

【0415】(第41の発明)第39の発明の液晶表示装置の製造方法において、前記静電チャックは、前記基板上に形成された複数のパネル形成領域の当該パネル形成領域毎に同極性の電圧を印加して前記基板を静電吸着することを特徴とする液晶表示装置の製造方法。

【0416】(第42の発明)第41の発明の液晶表示装置の製造方法において、前記複数のパネル形成領域間を電気的に接続する導電バスを前記基板上に形成することを特徴とする液晶表示装置の製造方法。

【0417】(第43の発明)第39乃至第42の発明のいずれかの液晶表示装置の製造方法において、前記一

方及び他方の基板を対向させて貼り合わせる際、前記一方及び他方の基板の双方をそれぞれ静電チャックにより吸着して、前記一方及び他方の基板の相対向する領域には同極性の電圧を印加することを特徴とする液晶表示装置の製造方法。

【0418】(第44の発明)第39の発明の液晶表示装置の製造方法において、前記静電チャックの電極を櫛形状の正電極と負電極とが櫛歯をかみ合わせて対向するように形成し、前記基板上に形成されたパネル形成領域内で前記櫛形状の電極に電圧を印加して前記基板を静電吸着することを特徴とする液晶表示装置の製造方法。

【0419】(第45の発明)第39の発明の液晶表示装置の製造方法に用いられる静電チャックであって、電圧を印加して基板を静電吸着する電極は、櫛形状の正電極と負電極とが櫛歯をかみ合わせて対向していることを特徴とする静電チャック。

【0420】(第46の発明)一方の基板上の複数箇所に液晶を滴下してから、光硬化性材料からなるシール剤を介して前記一方の基板と他方の基板とを貼り合わせ、前記シール剤に光を照射して硬化させる工程を有する液晶表示装置の製造方法において、前記一方の基板を平行平板上に固定し、前記一方の基板に貼り合わせた前記他方の基板を押圧しつつ、前記シール剤に光を照射して硬化させることを特徴とする液晶表示装置の製造方法。

【0421】(第47の発明)一方の基板上に液晶滴下を行い、光硬化性材料からなるシール剤を介して前記一方の基板と他方の基板とを貼り合わせ、前記シール剤に光を照射して硬化させる工程を有する液晶表示装置の製造方法において、パネル領域周囲にメインシールを形成し、前記メインシールを所定の空隙で囲むようにダミーシールを形成し、前記基板を貼り合せる際に前記空隙に真空領域を形成し、大気圧の元で前記真空領域に作用する力を利用して前記メインシールのギャップ出しを行うことを特徴とする液晶表示装置の製造方法。

【0422】(第48の発明)一方の基板上に液晶滴下を行い、光硬化性材料からなるシール剤を介して前記一方の基板と他方の基板とを貼り合わせ、前記シール剤に光を照射して硬化させる工程を有する液晶表示装置の製造方法において、パネル領域周囲にメインシールを形成し、前記メインシールを所定の空隙で囲むように第1ダミーシールを形成し、前記メインシール内方と、前記空隙に前記液晶を滴下することを特徴とする液晶表示装置の製造方法。

【0423】(第49の発明)一方の基板上に液晶を滴下してから他方の基板と貼り合わせる工程を有する液晶表示装置の製造方法において、基板貼り合わせ用に基板上に形成された棒状のシール剤の内方且つ表示領域の外側にセル厚を規定する凸状構造物を棒状に設け、前記表示領域を満たす量以上であって、且つ前記シール剤内方

を満たさない量の液晶を滴下し、前記一方及び他方の基板を貼り合わせる際、前記表示領域から溢れる余剰液晶を前記シール剤と前記凸状構造物との間に形成される間隙部に排出することを特徴とする液晶表示装置の製造方法。

【0424】(第50の発明)一方の基板上に液晶を滴下してから他方の基板と貼り合わせる工程を有する液晶表示装置の製造方法において、基板貼り合わせ用に基板上に形成する枠状のシール剤を二重枠構造に形成し、内方の前記シール剤に液晶を流出させる開放部を設け、前記内方のシール剤の内方を満たす量以上であって、且つ外方の前記シール剤の内方を満たさない量の液晶を滴下し、基板貼り合わせ時の余剰液晶を前記開放部から前記内方のシール剤と前記外方のシール剤との間に排出させることを特徴とする液晶表示装置の製造方法。

【0425】(第51の発明)第50の発明の液晶表示装置の製造方法において、前記開放部は、前記内方のシール剤の前記基板に設けられた端子取付部に面しない辺部に設けることを特徴とする液晶表示装置の製造方法。

【0426】(第52の発明)2つの基板間に挟まれた液晶を封止する光硬化性材料からなるシール剤を備えた液晶表示装置において、前記2つの基板を貼り合わせる際の位置決め用の突起物が、前記2つの基板上に形成されていることを特徴とする液晶表示装置。

【0427】(第53の発明)一方の基板上に液晶滴下を行い、光硬化性材料からなるシール剤を介して前記一方の基板と他方の基板とを貼り合わせ、前記シール剤に光を照射して硬化させる工程を有する液晶表示装置の製造方法において、基板貼り合わせ時に前記基板を載置したステージ上に貼り合わせ済の基板を吸着して前記光を照射し前記シール剤を硬化させることを特徴とする液晶表示装置の製造方法。

【0428】(第54の発明)一方の基板上に液晶滴下を行い、光硬化性材料からなるシール剤を介して前記一方の基板と他方の基板とを貼り合わせ、前記シール剤に光を照射して硬化させる工程を有する液晶表示装置の製造方法において、前記一方及び他方の基板端部が相対的にずれるように両基板を貼り合わせ、ずれた領域にパネル検査用の外部接続端子を配置することを特徴とする液晶表示装置の製造方法。

【0429】(第55の発明)第12の発明の液晶表示装置において、前記2つの基板の一方は、複数の画素領域にスイッチング素子が形成されたアレイ基板であり、前記アレイ基板に形成された前記光反射層の両側部には光透過領域が形成され、前記光透過領域間の前記光反射層の幅は概ね400 $\mu$ mであることを特徴とする液晶表示装置。

【0430】(第56の発明)第55の発明の液晶表示装置において、前記アレイ基板には、前記アレイ基板背面から光を前記シール剤に照射する際のマスクとして

も機能するカラーフィルタ又は反射電極のいずれかが形成されていることを特徴とする液晶表示装置。

【0431】

【発明の効果】以上の通り、本発明によれば、セル工程でのシール剤の硬化不良を減少させることができる。また、本発明によれば、セル工程でのシール剤の剥離を防止することができる。またさらに、本発明によれば、セル工程での基板変形や表示不良を減少させることができる。またさらに本発明によれば、セル工程で生じ得るセル厚のばらつきを減少させることができる。そして、本発明によれば、セル工程での液晶滴下を確実に実行できるようになる。

【0432】以上の通り、本発明によれば、シール剤硬化のUV照射を行っても液晶を劣化させないで、滴下注入法を用いて高画質の表示品質を有する液晶表示装置を実現できる。

【0433】また本発明によれば、光硬化性材料のシール剤を確実に硬化させることができるようになる。さらに本発明によれば、シール剤硬化で生じる貼り合わせ基板の位置ずれを減少させることができる。またさらに本発明によれば、滴下注入における基板のプレス不良を改善することができる。またさらに本発明によれば、滴下注入におけるパネル外形寸法の拡大を抑制することができる。

【0434】従って、本発明により、滴下注入法を用いて歩留まりを向上させて液晶パネルを製造できるようになるので、液晶表示装置の製造コストをさらに低減することができるようになる。

【0435】以上の通り、本発明によれば、メインシールと表示領域との間の領域に枠状構造物とブラックマトリクス縁線とが形成された液晶表示装置において、シール剤剥離を防止し、また未硬化のシール剤による液晶の汚染を防止できる液晶表示装置を実現できる。

【0436】また、本発明によれば、MVAモードの液晶表示装置の製造工程における液晶滴下注入法を改善して、表示ムラを低減させることができるようになる。また、本発明によれば、表示ムラの検査が容易に行えるようになる。

【0437】また本発明によれば、液晶の滴下注入法を用いても良好なセル厚を形成できるようになる。また本発明によれば、滴下注入法を用いても対向する2枚の基板間に貼り合わせズレや基板歪みによるズレが発生したり、ギャップ不良が発生したりすることを防止できる。

【0438】

【図面の簡単な説明】

【図1】本発明の第1の実施の形態による液晶表示パネルの概略の構造を示す図である。

【図2】膜厚が約1.3nmの場合の赤色着色層28、緑色着色層26、及び青色着色層24の光透過スペクトルを示す図である。

【図3】本発明の第1の実施の形態によるシール剤6の光硬化性樹脂の光吸収スペクトル( $\beta$ )と青色着色層24の青色透過スペクトル( $\gamma$ )を示し、さらに比較のため従来の光硬化性樹脂の光吸収スペクトル( $\alpha$ )を示す図である。

【図4】本発明の第2の実施の形態による液晶表示装置のシール剤とBM額縁部の重なりを説明する図である。

【図5】本発明の第2の実施の形態における図4に示す液晶表示装置との比較例を示す図である。

【図6】本発明の第2の実施の形態による液晶表示装置の角部のシール剤とBM額縁部の関係を説明する図である。

【図7】本発明の第2の実施の形態における図6に示す液晶表示装置との比較例を示す図である。

【図8】本発明の第3の実施の形態による液晶表示装置のトランスファとBM額縁部の関係を説明する図である。

【図9】本発明の第3の実施の形態における図8に示す液晶表示装置との比較例を示す図である。

【図10】本発明の第4の実施の形態によるUV照射光源の概略の構成を説明する図である。

【図11】本発明の第4の実施の形態における図10に示すUV照射光源との比較例を示す図である。

【図12】本発明の第5の実施の形態による液晶表示装置の概略の構成を示す図である。

【図13】本発明の第5の実施の形態による液晶表示装置の変形例に係る概略の構成を示す図である。

【図14】本発明の第5の実施の形態による液晶表示装置の他の変形例に係る概略の構成を示す図である。

【図15】本発明の第5の実施の形態による液晶表示装置における比較例Eと実施例GのUVスペクトルを示す図である。

【図16】本発明の第5の実施の形態による液晶表示装置において、液晶22の液晶境界23が枠状構造物12に達する前に枠状構造物12を圧力Pで加圧して枠状構造物12近傍のギャップ出しを行うことを説明する図である。

【図17】本発明の第6の実施の形態による液晶表示装置及びその製造方法における実施例1を示す図である。

【図18】本発明の第6の実施の形態による液晶表示装置及びその製造方法における実施例2を示す図である。

【図19】本発明の第6の実施の形態による液晶表示装置及びその製造方法における実施例3を示す図である。

【図20】本発明の第6の実施の形態による液晶表示装置及びその製造方法における実施例4を示す図である。

【図21】本発明の第6の実施の形態による液晶表示装置及びその製造方法における実施例5を示す図である。

【図22】本発明の第6の実施の形態による液晶表示装置及びその製造方法における実施例6を示す図である。

【図23】本発明の第6の実施の形態による液晶表示装

置及びその製造方法における実施例7を示す図である。

【図24】本発明の第6の実施の形態による液晶表示装置及びその製造方法における実施例8を示す図である。

【図25】本発明の第7の実施の形態において、従来の問題点を説明する図である。

【図26】本発明の第7の実施の形態において、従来の他の問題点を説明する図である。

【図27】本発明の第7の実施の形態による液晶表示装置及びその製造方法における実施例1を示す図である。

【図28】本発明の第7の実施の形態による液晶表示装置及びその製造方法における実施例2を示す図である。

【図29】本発明の第7の実施の形態による液晶表示装置及びその製造方法における実施例3を示す図である。

【図30】本発明の第7の実施の形態による液晶表示装置及びその製造方法における実施例4を示す図である。

【図31】本発明の第7の実施の形態による液晶表示装置及びその製造方法における実施例5を示す図である。

【図32】本発明の第8の実施の形態による液晶表示装置の概略構成を示す図である。

【図33】本発明の第8の実施の形態による液晶表示装置に設けられた光反射層の構造を示す図である。

【図34】本発明の第8の実施の形態の変形例として反射型液晶表示装置に設けられた光反射層の構造を示す図である。

【図35】本発明の第8の実施の形態によるUV光の照射方法の一例を説明する図である。

【図36】本発明の第9の実施の形態による液晶表示装置の端部の一部横断面を示す図である。

【図37】2種類の液晶材料(A)、(B)の特性を示す図である。

【図38】本発明の第9の実施の形態による偏光UV照射における偏光軸46の方向を説明する図である。

【図39】本発明の第9の実施の形態による偏光UV照射における偏光軸46の方向を説明する図である。

【図40】本発明の第10の実施の形態による液晶表示装置の端部の一部横断面であって、誘電異性が負の液晶22を滴下注入して、垂直配向膜により垂直配向させた状態を示す図である。

【図41】本発明の第10の実施の形態による液晶表示装置の端部の一部横断面であって、誘電異性が正の液晶22を滴下注入して、垂直配向膜により垂直配向させた状態を示す図である。

【図42】本発明の第10の実施の形態による液晶表示装置の端部の一部横断面であって、誘電異性が正の液晶22を滴下注入して、液晶22に電圧を印加して垂直配向させた状態を示す図である。

【図43】本発明の第11の実施の形態による液晶表示装置における実施例4を説明する図である。

【図44】本発明の第11の実施の形態による液晶表示装置における実施例4を説明する図である。

【図45】本発明の第11の実施の形態による液晶表示装置における実施例4を説明する図である。

【図46】本発明の第11の実施の形態による液晶表示装置における実施例4を説明する図である。

【図47】本発明の第11の実施の形態による液晶表示装置における実施例5を説明する図である。

【図48】本発明の第11の実施の形態による液晶表示装置における実施例5を説明する図である。

【図49】本発明の第11の実施の形態による液晶表示装置における実施例6を説明する図である。

【図50】本発明の第11の実施の形態による液晶表示装置における実施例7を説明する図である。

【図51】本発明の第11の実施の形態による液晶表示装置における実施例8を説明する図である。

【図52】本発明の第11の実施の形態による液晶表示装置における実施例8を説明する図である。

【図53】本発明の第11の実施の形態による液晶表示装置における実施例8を説明する図である。

【図54】本発明の第11の実施の形態による液晶表示装置における実施例9を説明する図である。

【図55】本発明の第11の実施の形態による液晶表示装置における実施例10を説明する図である。

【図56】本発明の第12の実施の形態による液晶パネルのセル工程における液晶の滴下注入を示す図である。

【図57】本発明の第13の実施の形態による液晶表示装置の製造方法における滴下注入の概略を説明する図である。

【図58】本発明の第13の実施の形態による液晶表示装置の製造方法における滴下注入の概略を説明する図である。

【図59】本発明の第13の実施の形態による液晶表示装置の製造方法における滴下注入の概略を説明する図である。

【図60】本発明の第13の実施の形態による液晶表示装置の製造方法において液晶が滴下された基板30上面を示す図である。

【図61】本発明の第14の実施の形態における滴下液晶の拡散状態について説明する図である。

【図62】本発明の第14の実施の形態における液晶表示パネルに形成された1画素とそこに滴下された液晶の拡散状態を示す図である。

【図63】本発明の第14の実施の形態における液晶表示装置において、拡散する液晶先端部の輪郭形状を棒状のメインシール6形状とほぼ相似形に制御した状態を示す図である。

【図64】本発明の第14の実施の形態による液晶表示装置におけるセルギャップを規定するための構造物29を示す図である。

【図65】本発明の第14の実施の形態による液晶表示装置における液晶の拡散を制御する構造物28a、28

bを示す図である。

【図66】本発明の第14の実施の形態による液晶表示装置における構造物28a、28b、29の配置例を示す図である。

【図67】本発明の第15の実施の形態による液晶滴下及び基板貼り合わせ工程及びその際の基板保持動作を説明する図である。

【図68】本発明の第16の実施の形態による液晶表示装置での静電チャックによる基板貼り合わせを説明する図である。

【図69】本発明の第17の実施の形態による液晶表示装置での静電チャックによる基板貼り合わせを説明する図である。

【図70】本発明の第18の実施の形態による滴下注入における光硬化プロセスと従来の滴下注入における光硬化プロセスとの比較を示す図である。

【図71】本発明の第18の実施の形態による基板貼り合わせ装置の概略の構造を示す図である。

【図72】本発明の第19の実施の形態による液晶表示装置の製造方法の概略を説明する図である。

【図73】本発明の第19の実施の形態による液晶表示装置の製造方法の概略を説明する図である。

【図74】本発明の第19の実施の形態による液晶表示装置の製造方法の概略を説明する図である。

【図75】本発明の第19の実施の形態による液晶表示装置の製造方法の概略を説明する図である。

【図76】本発明の第19の実施の形態による液晶表示装置の製造方法の概略を説明する図である。

【図77】本発明の第19の実施の形態による液晶表示装置の製造方法の概略を説明する図である。

【図78】本発明の第19の実施の形態による液晶表示装置の製造方法の概略を説明する図である。

【図79】本発明の第20の実施の形態による液晶表示装置の製造方法を示す図である。

【図80】本発明の第20の実施の形態による液晶表示装置の製造方法を示す図である。

【図81】本発明の第20の実施の形態による液晶表示装置の製造方法を示す図である。

【図82】本発明の第20の実施の形態による液晶表示装置の製造方法を示す図である。

【図83】本発明の第20の実施の形態による液晶表示装置の製造方法を示す図である。

【図84】本発明の第20の実施の形態による液晶表示装置の製造方法を示す図である。

【図85】本発明の第20の実施の形態による液晶表示装置の製造方法を示す図である。

【図86】本発明の第20の実施の形態による液晶表示装置の製造方法を示す図である。

【図87】本発明の第20の実施の形態による液晶表示装置の製造方法を示す図である。

【図88】本発明の第21の実施の形態による液晶表示装置における基板貼り合わせについて説明する図である。

【図89】本発明の第22の実施の形態による液晶表示装置における基板貼り合わせについて説明する図である。

【図90】本発明の第23の実施の形態による液晶表示装置及びその製造方法について説明する図である。

【図91】本発明の第24の実施の形態による液晶表示装置の基板の概略の構成を示す図である。

【図92】本発明の第24の実施の形態による液晶表示装置の突起部96、98について説明する図である。

【図93】本発明の第24の実施の形態による液晶表示装置の突起部96、98の変形例について説明する図である。

【図94】本発明の第24の実施の形態による液晶表示装置の製造に用いた液晶滴下装置を示す図である。

【図95】本発明の第25の実施の形態による液晶表示装置の製造方法における実施例1及び比較例の結果を示す図である。

【図96】本発明の第25の実施の形態による液晶表示装置の製造方法における実施例2の結果を示す図である。

【図97】本発明の第25の実施の形態による液晶表示装置の製造方法における比較例2の結果を示す図である。

【図98】本発明の第25の実施の形態による液晶表示装置の製造方法で用いるピン90を示す図である。

【図99】本発明の第25の実施の形態による液晶表示装置の製造方法における実施例3の結果を示す図である。

【図100】本発明の第25の実施の形態による液晶表示装置の製造方法における実施例の結果を示す図である。

【図101】本発明の第26の実施の形態による液晶表示装置の製造方法により製造されたアクティブマトリクス型の液晶表示装置の概略の構成を示す図である。

【図102】本発明の第26の実施の形態による液晶表示装置の製造方法におけるパネル検査の一例を示す図である。

【図103】本発明の第26の実施の形態による液晶表示装置の製造方法におけるパネル検査の一例を示す図である。

【図104】従来の液晶表示パネルの概略構成を示す図である。

【図105】従来の液晶パネルのセル工程における液晶の滴下注入を示す図である。

【図106】従来の静電チャックによる基板貼り合わせの説明図である。

【図107】従来の液晶パネルにおけるセル厚のばらつきを説明する図である。

【図108】滴下注入法による液晶表示パネルの製造工程について説明する図である。

【図109】従来の液晶表示パネルの端部の一部横断面を示す図である。

【図110】従来の液晶表示装置の概略の構成を示す図である。

【図111】従来の液晶表示装置の製造方法における課題を説明する図である。

【図112】従来の液晶表示装置の製造方法における課題を説明する図である。

【図113】従来の液晶表示装置の製造方法における課題を説明する図である。

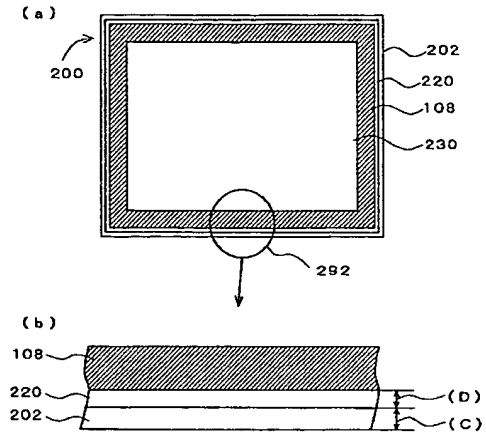
【図114】従来の液晶表示装置の製造方法における課題を説明する図である。

【符号の説明】

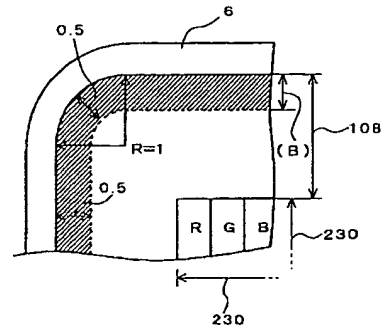
- 1、1100 液晶表示パネル
- 2、1102 端子部
- 4、1104 CF (カラーフィルタ) 基板
- 6、1106 シール剤 (メインシール)
- 8、1108 BM (ブラックマトリクス) 額縁部
- 10、1110 表示領域
- 12 棒状構造物
- 13、1112 TFT (薄膜トランジスタ)
- 14、1114 画素領域
- 15 スペース
- 16、1116 アレイ基板 (TFT基板)
- 18、1118 BM
- 20 領域
- 22、液晶
- 24 青色着色層
- 26 緑色着色層
- 28 赤色着色層
- 30、32 光
- 42 樹脂フィラー
- 44 Au層
- 58、272、274、276、278 電極
- 66 トランスファ
- 98 突起部
- 182 液晶分子
- 234 トランスファパッド
- 314 土手材
- 352 ピン



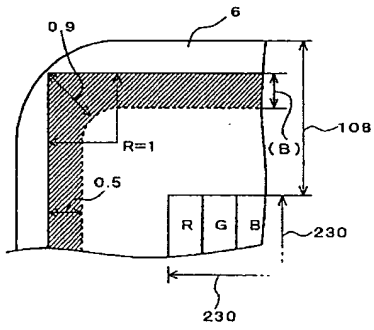
【図5】



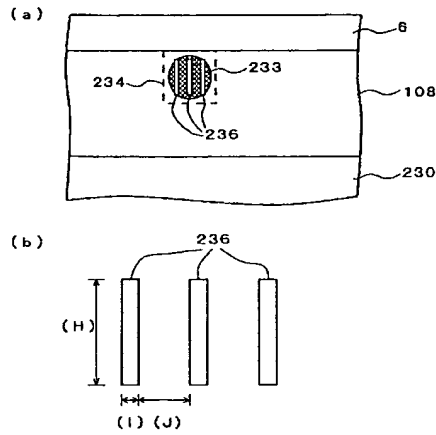
【図6】



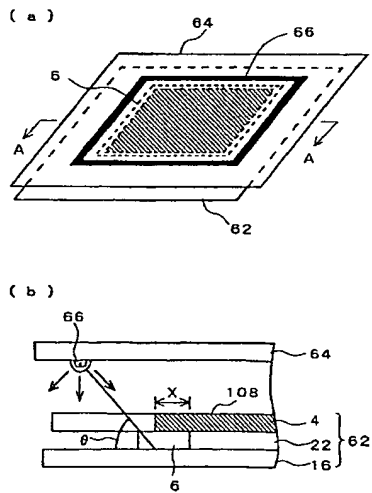
【図7】



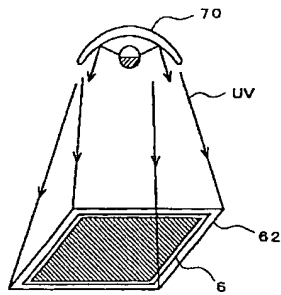
【図8】



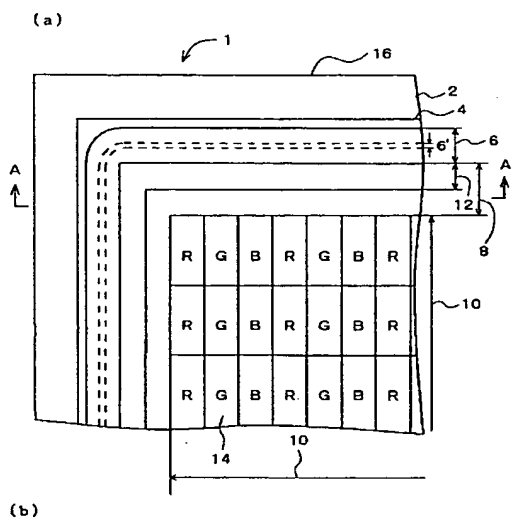
【図10】



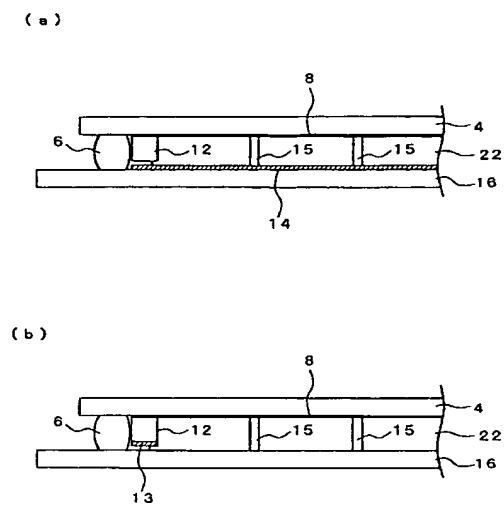
【図11】



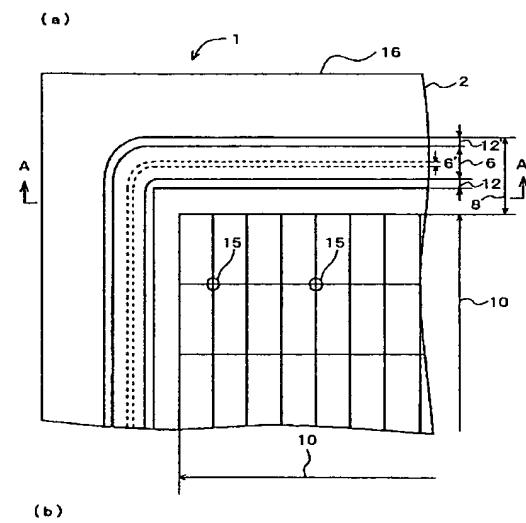
【図12】



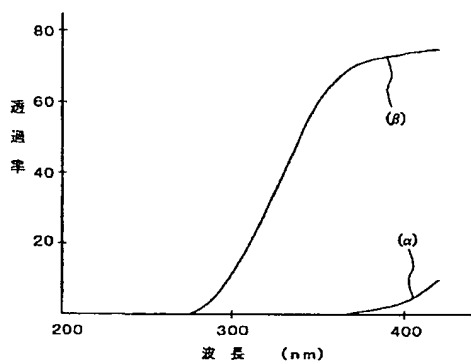
【図13】



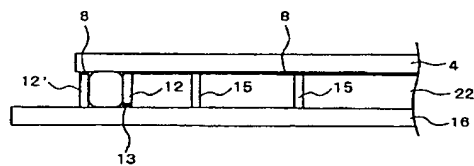
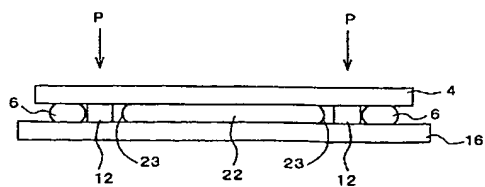
【図14】



【図15】

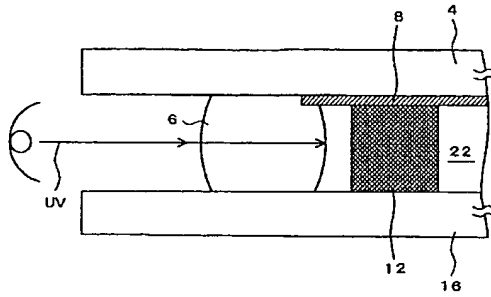


【図16】

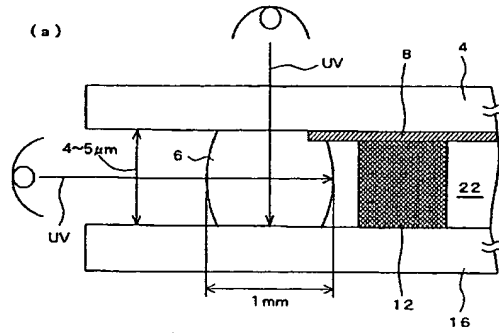




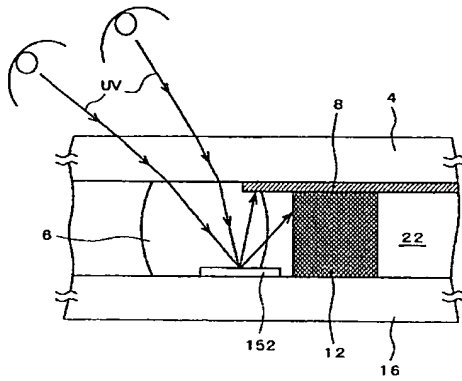
【図17】



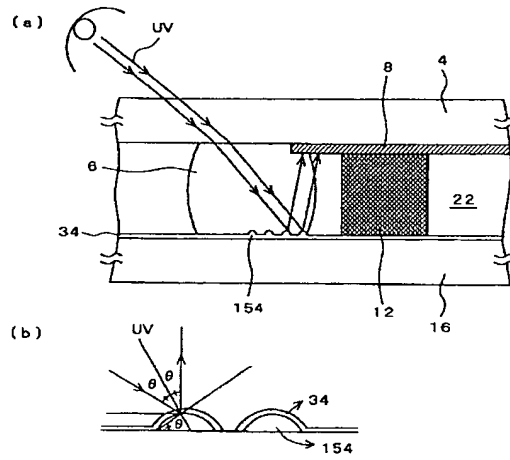
【図18】



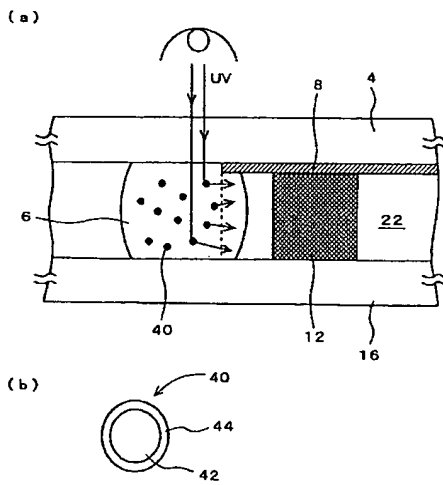
【図19】



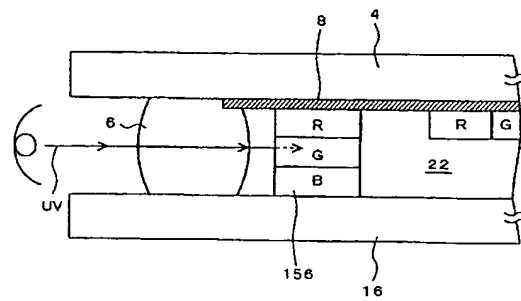
【図20】



【図22】

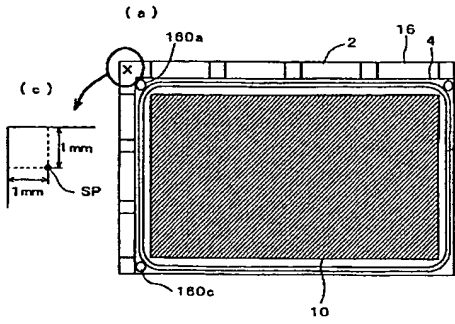


【図23】

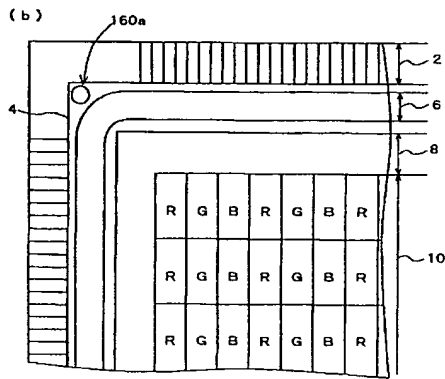
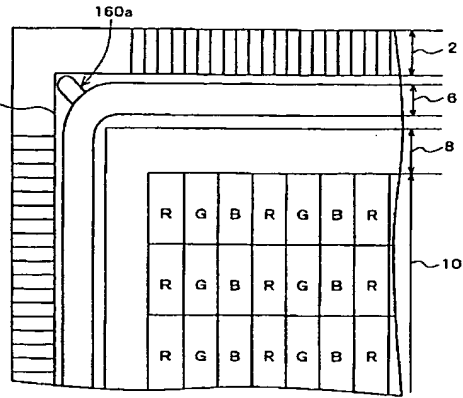




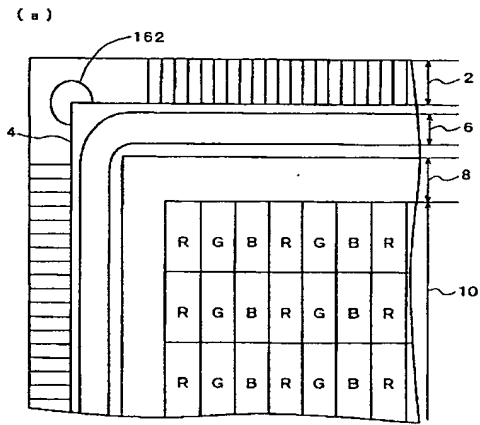
【圖27】



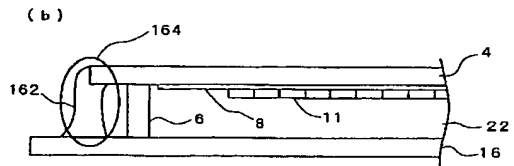
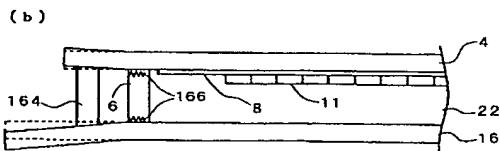
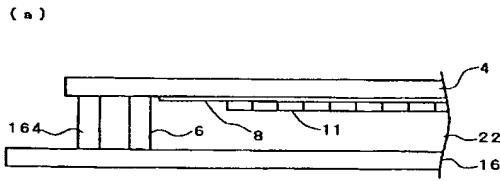
【圖28】



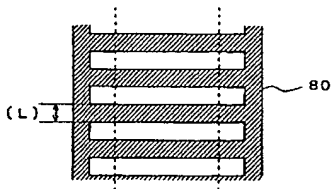
【圖29】



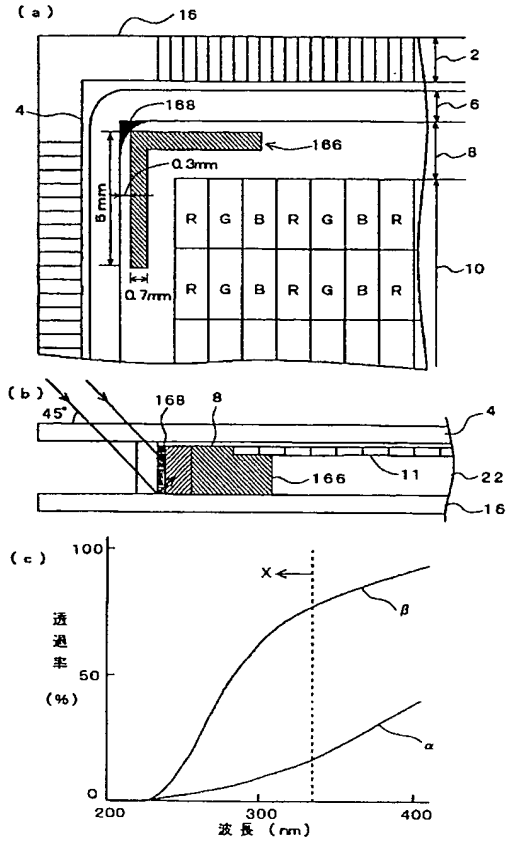
【圖30】



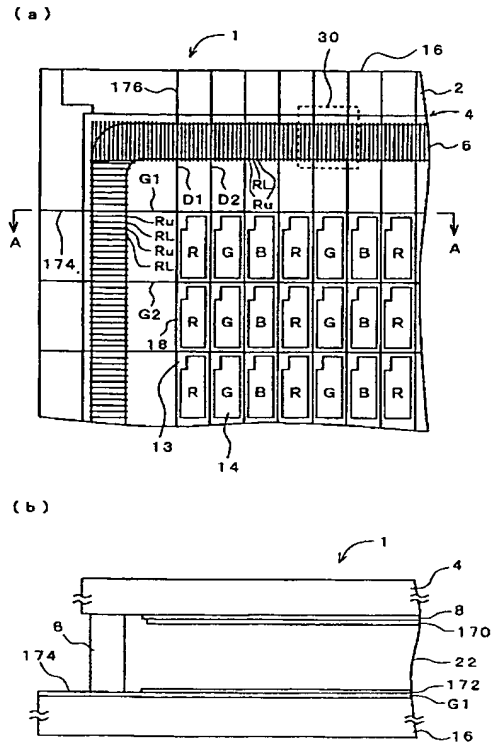
【圖45】



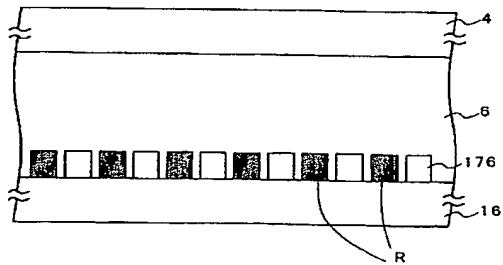
【図31】



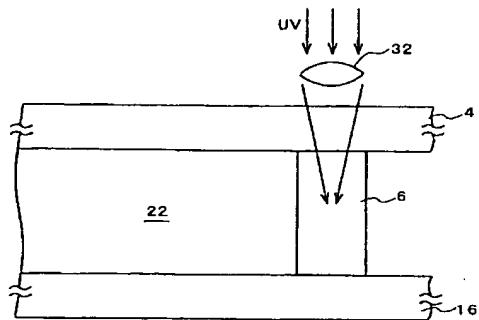
【図32】



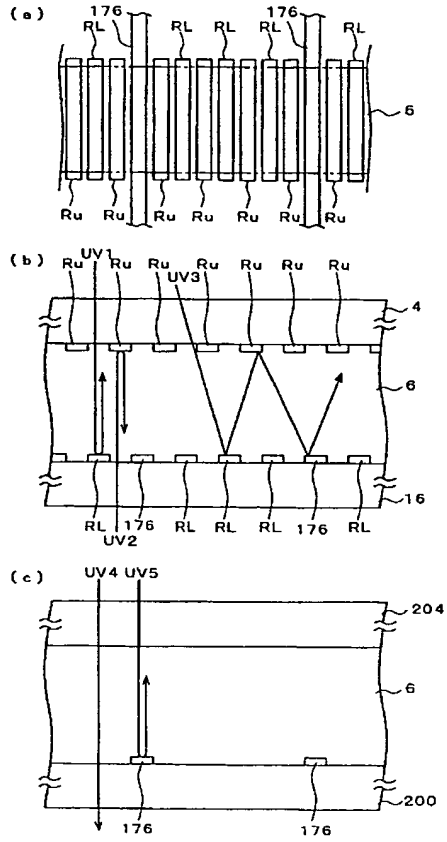
【図34】



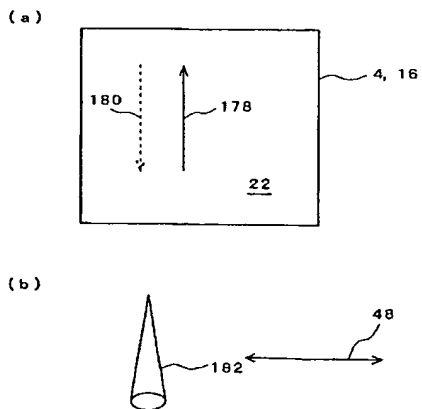
【図35】



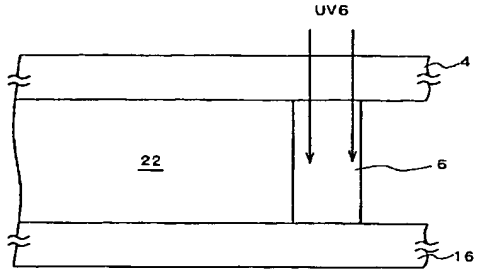
【図33】



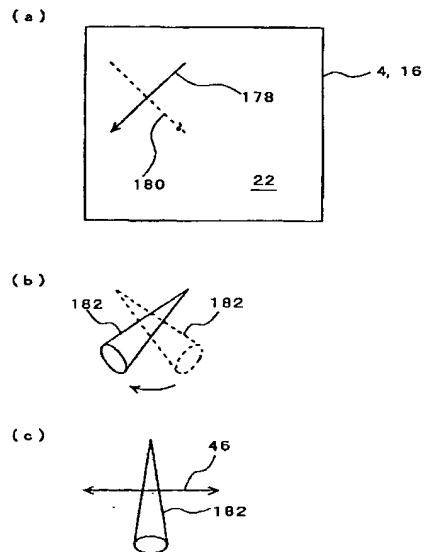
【図39】



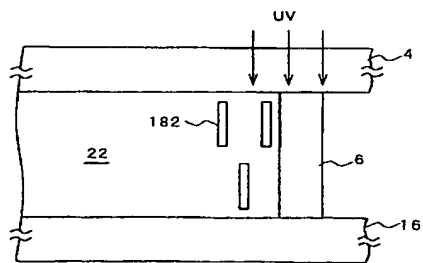
【図36】



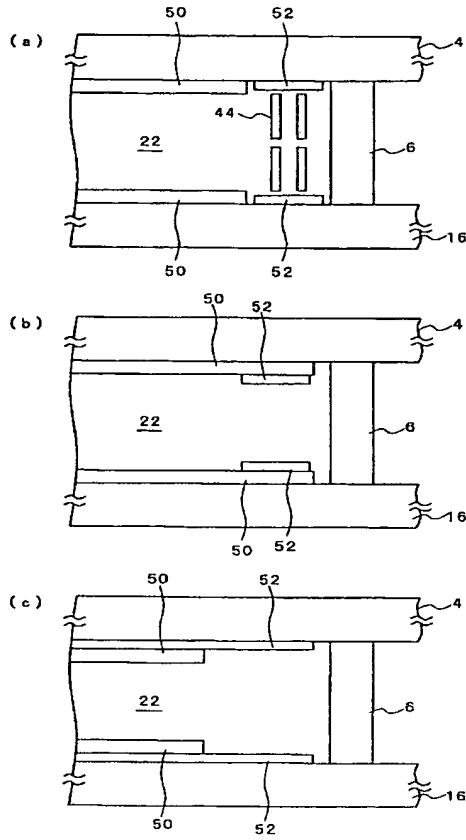
【図38】



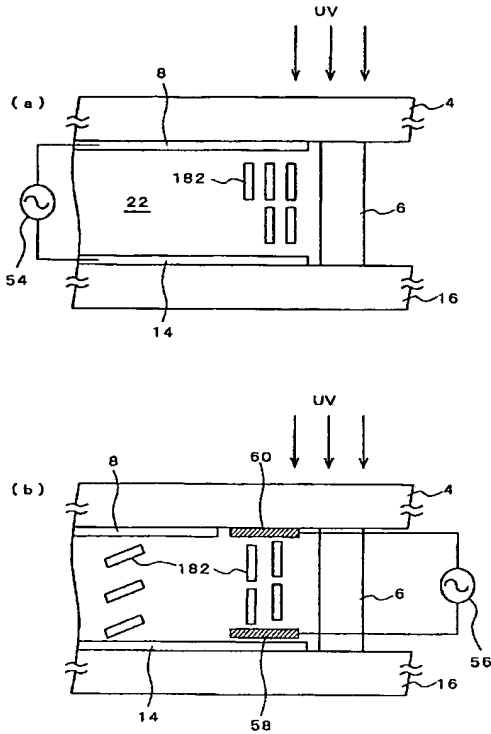
【図40】



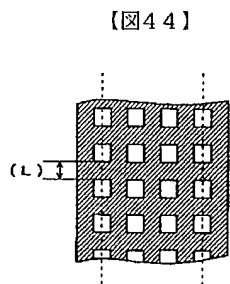
【図41】



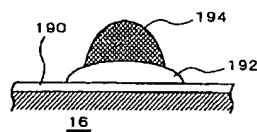
【図42】



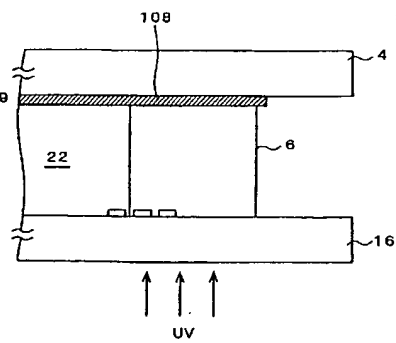
【図55】



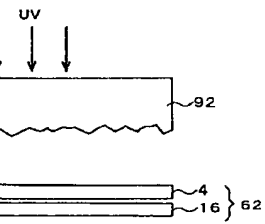
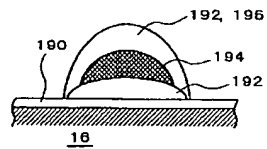
【図57】



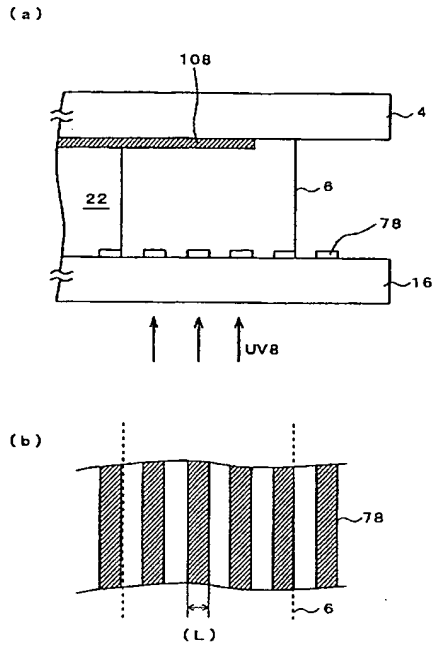
【図46】



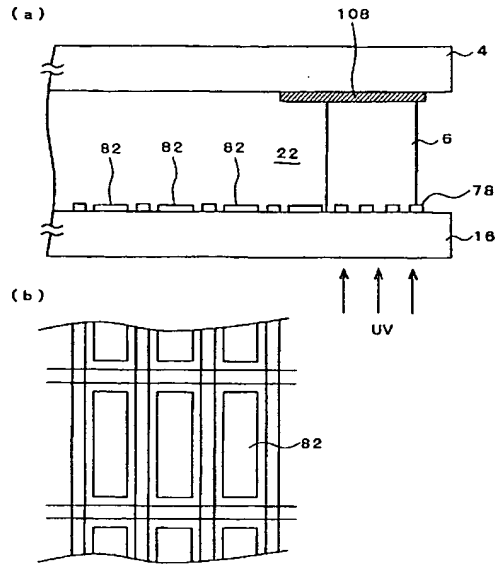
【図58】



【図43】

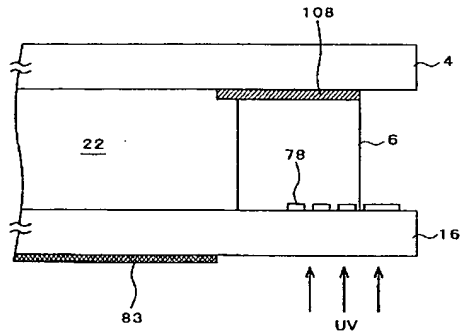


【図47】

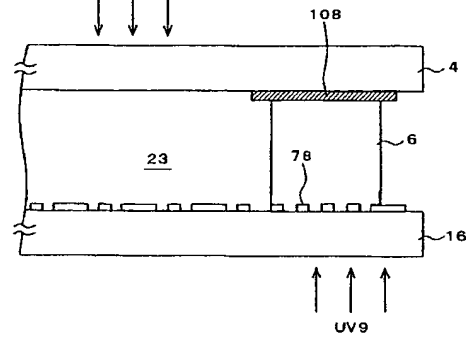


【図49】

【図48】



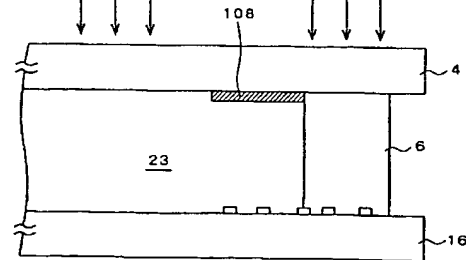
UV10



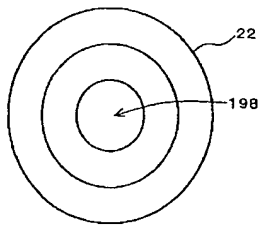
【図51】

UV11

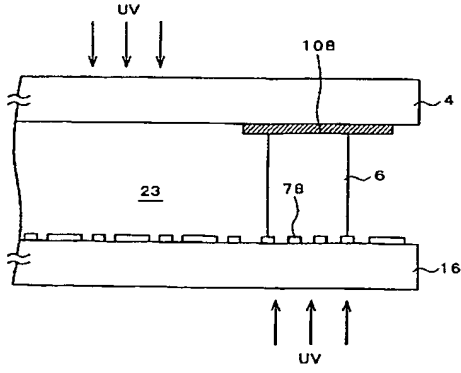
NL1



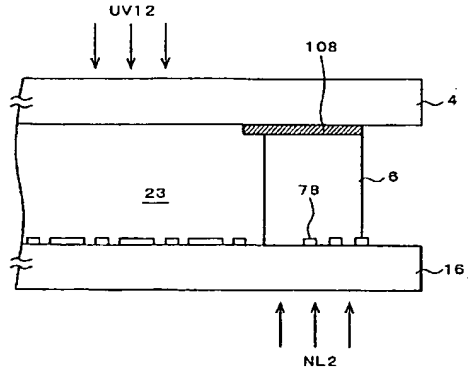
【図61】



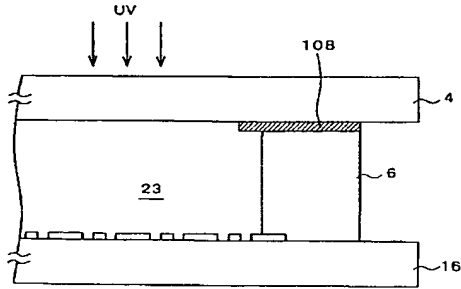
【図50】



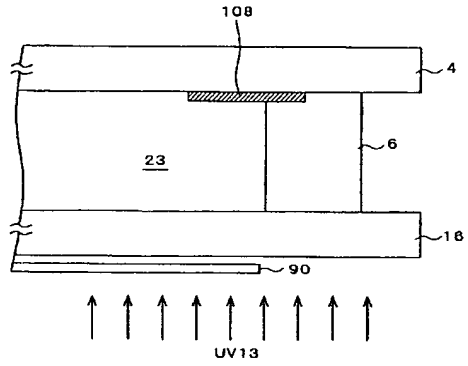
【図52】



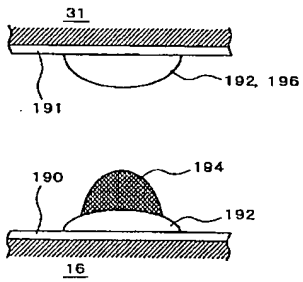
【図53】



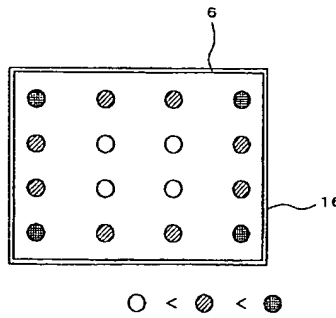
【図54】



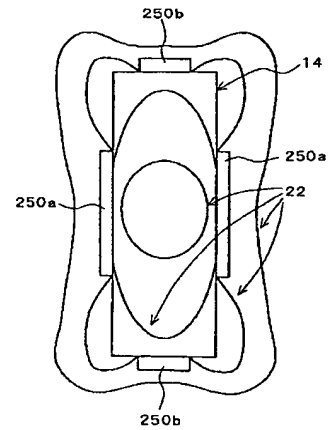
【図59】



【図60】

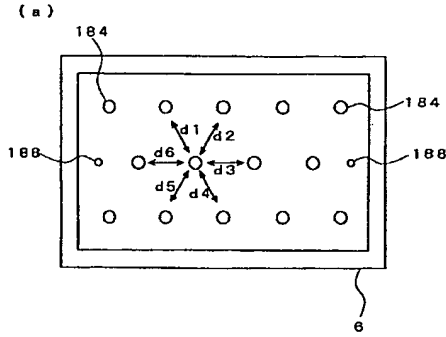


【図62】

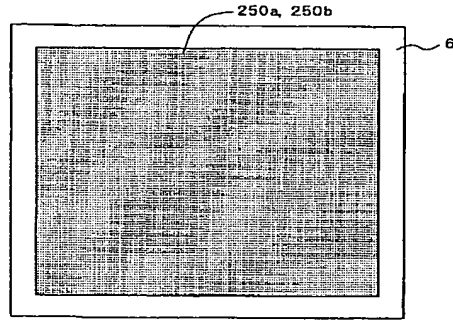




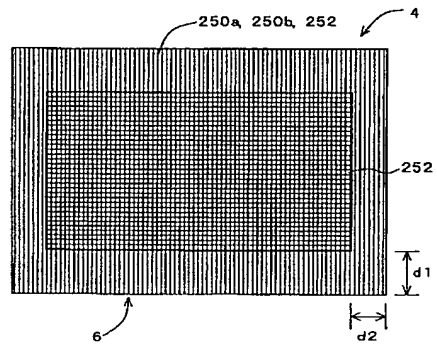
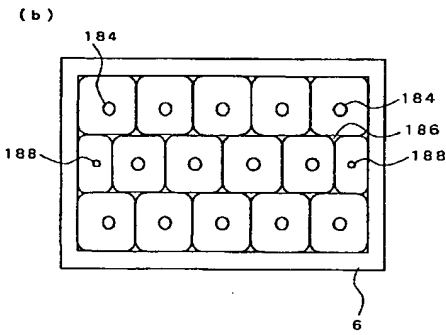
【図56】



【図63】

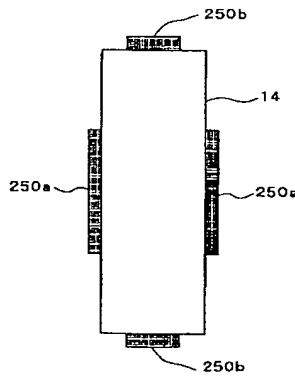
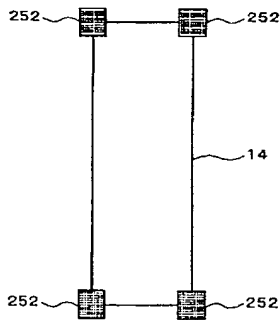


【図66】

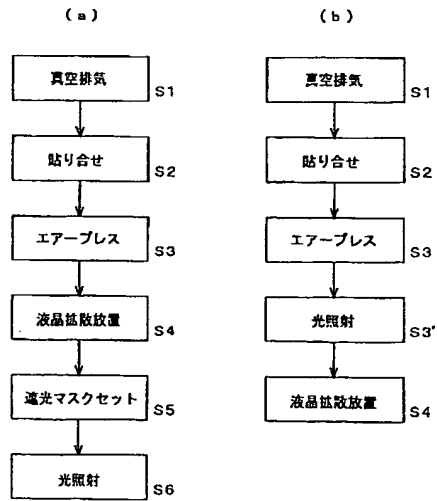


【図64】

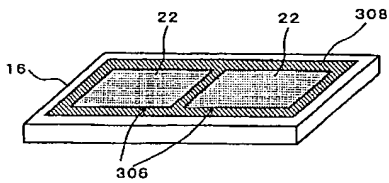
【図65】



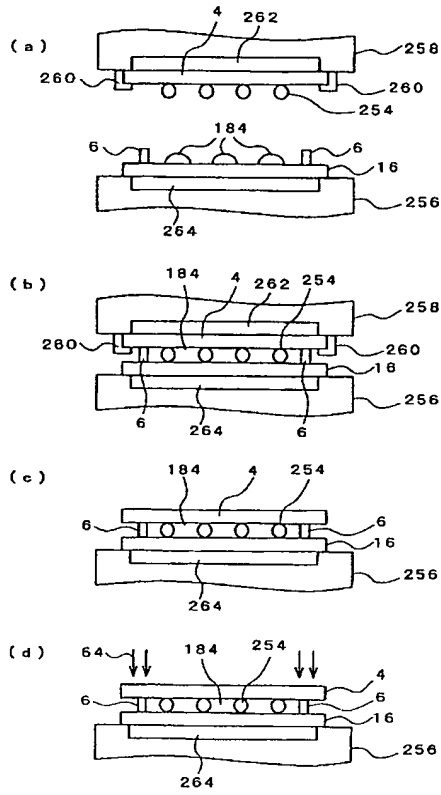
【図70】



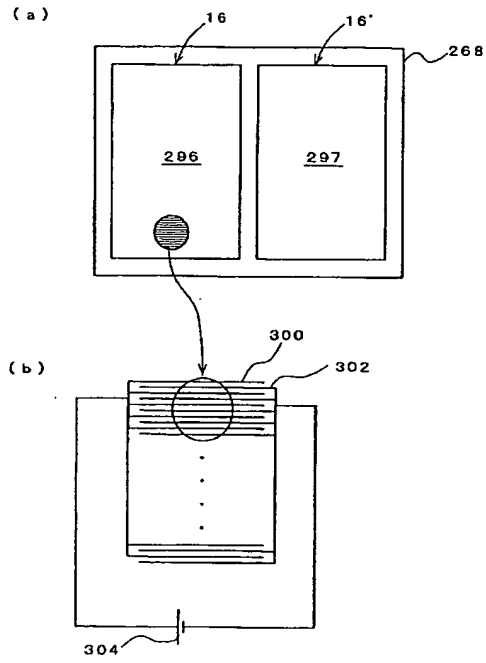
【図72】



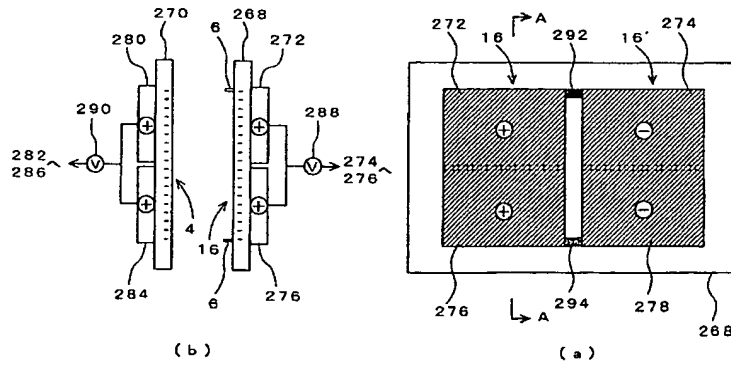
【67】



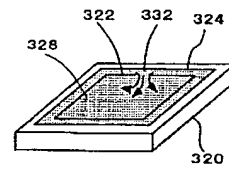
【69】



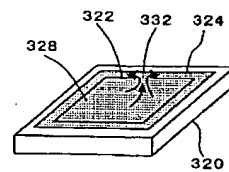
【68】



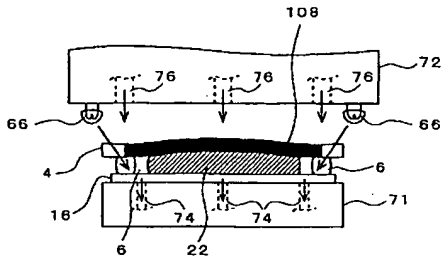
【86】



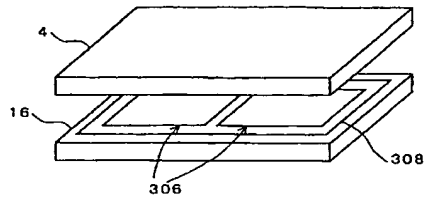
【87】



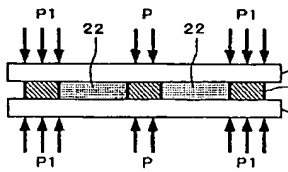
【図71】



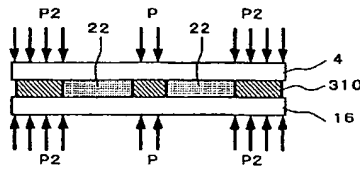
【図73】



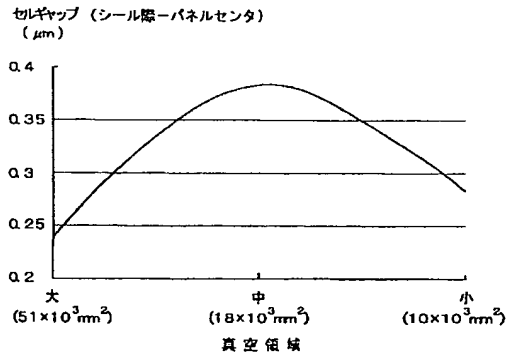
【図74】



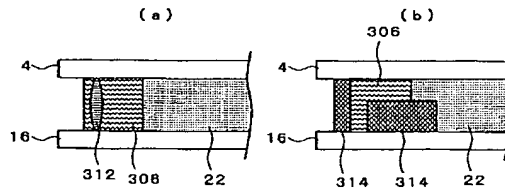
【図75】



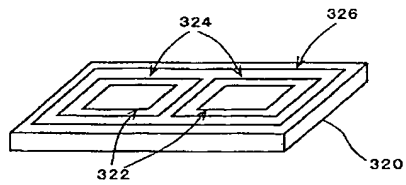
【図76】



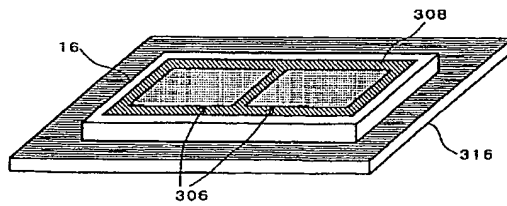
【図77】



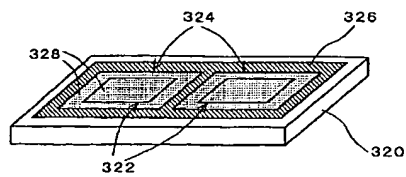
【図79】



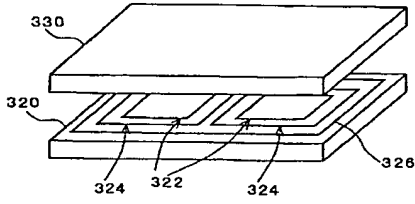
【図78】



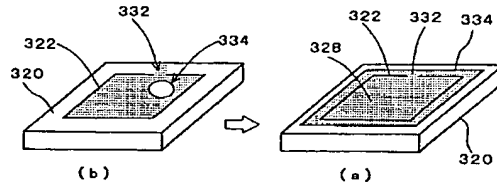
【図80】



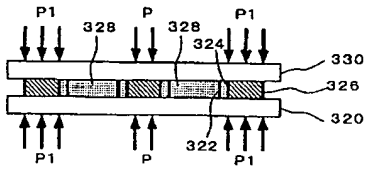
【圖81】



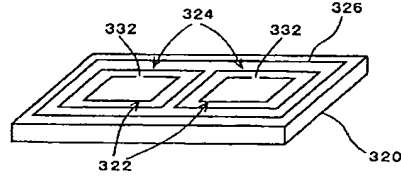
【圖82】



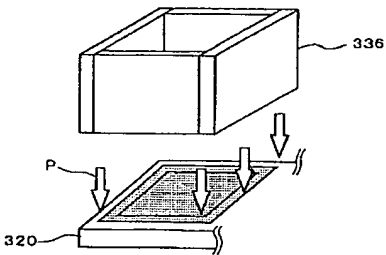
【圖83】



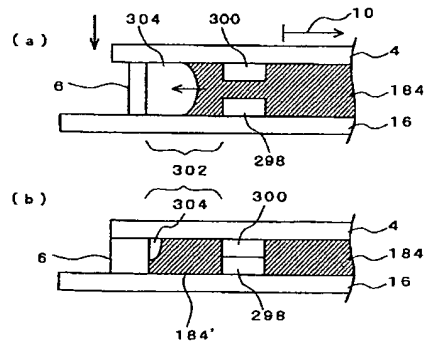
【圖84】



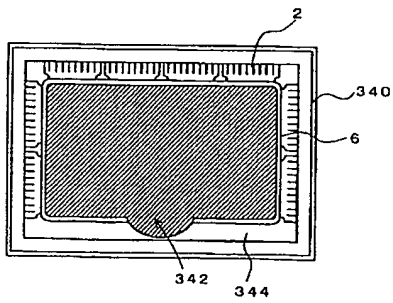
【圖85】



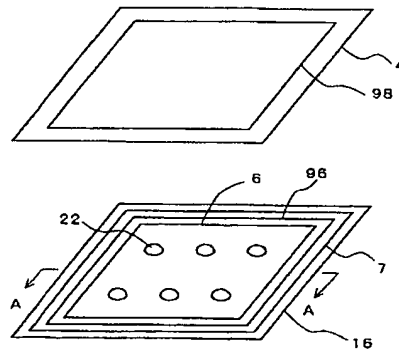
【圖88】



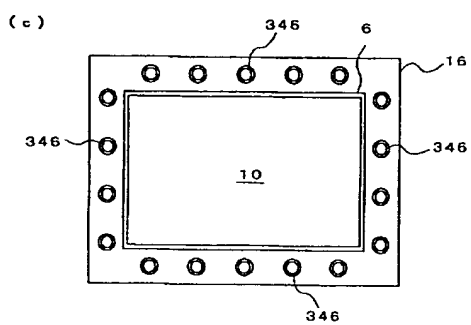
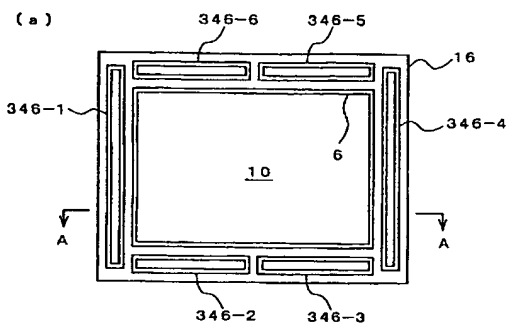
【圖89】



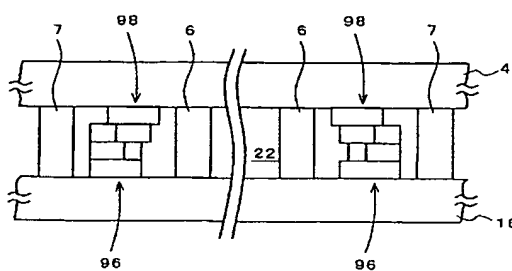
【圖91】



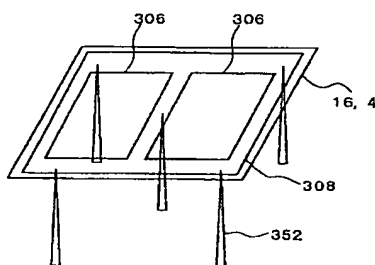
【図90】



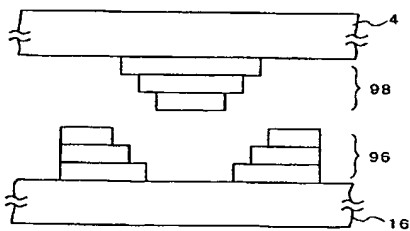
【図92】



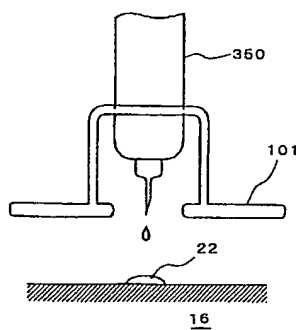
【図98】



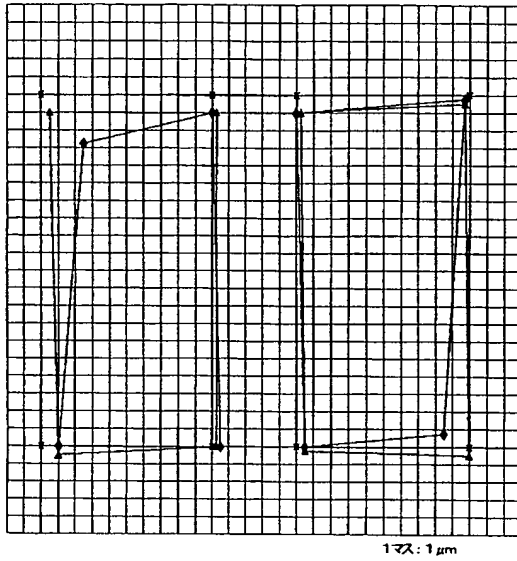
【図93】



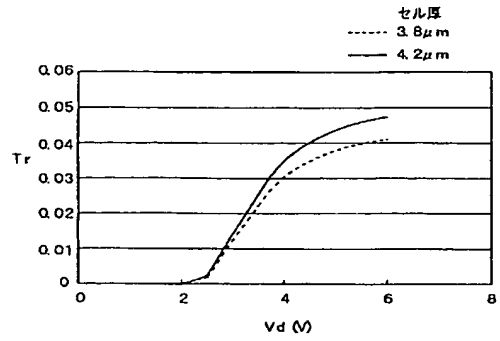
【図94】



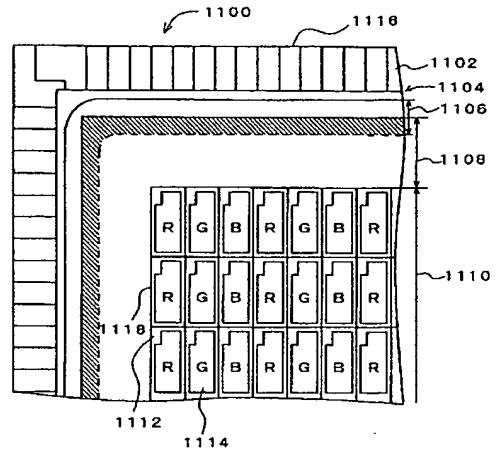
【図95】



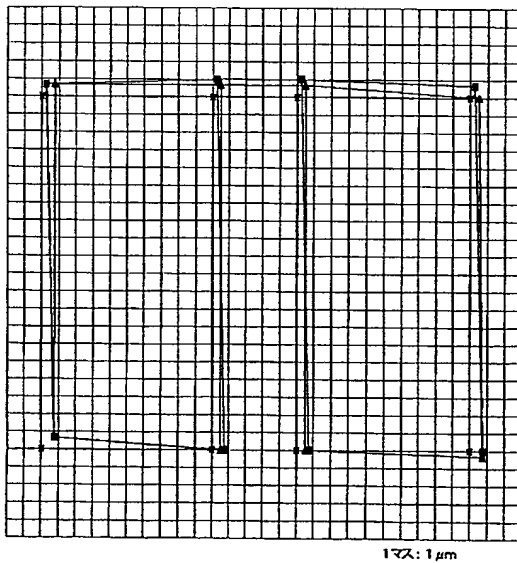
【図103】



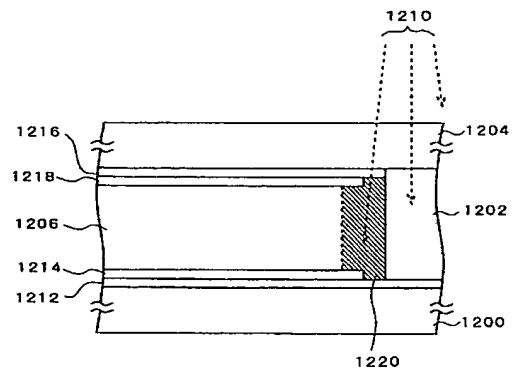
【図104】



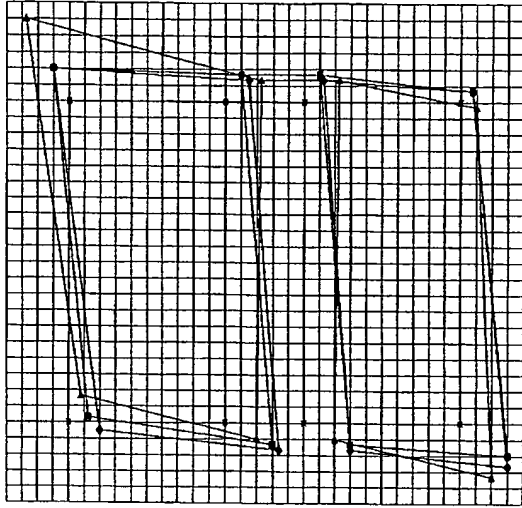
【図96】



【図109】

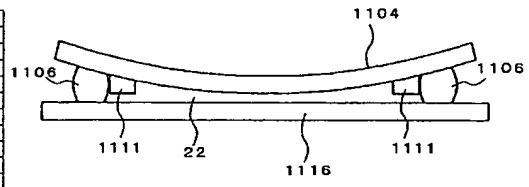


【図97】

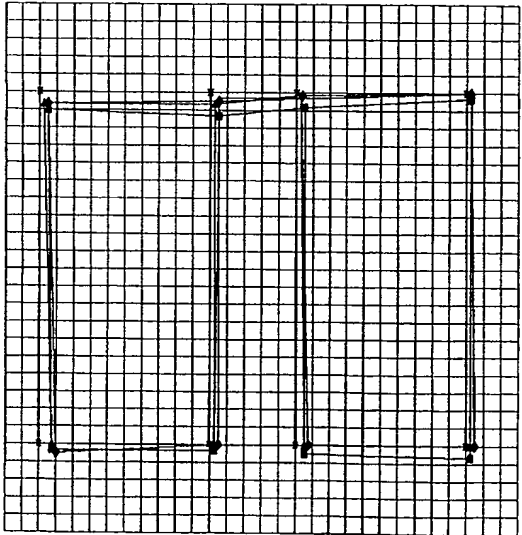


1 μm

【図113】

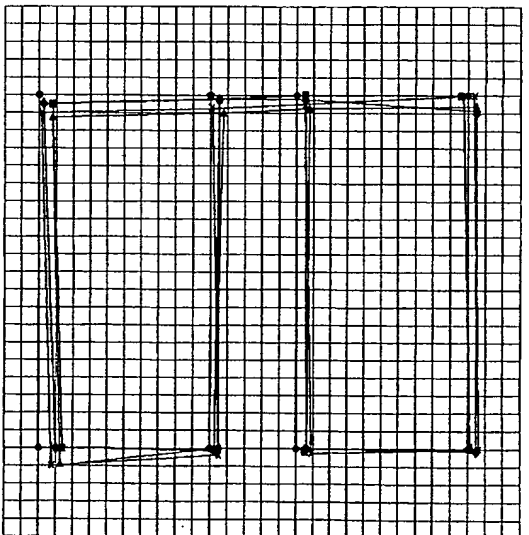


【図99】



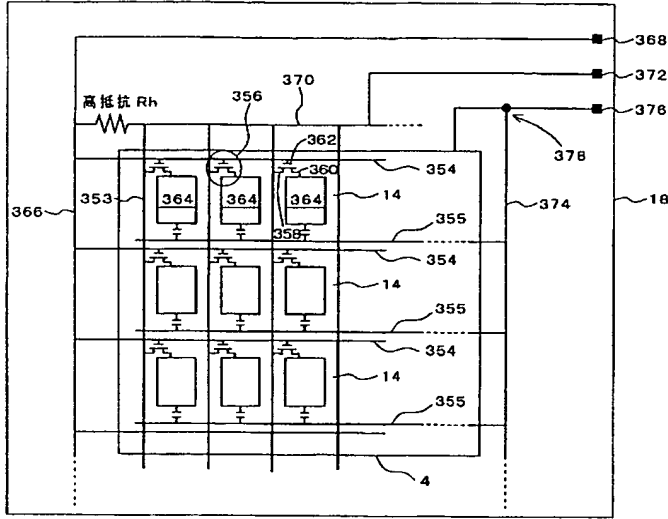
1 μm

【図100】

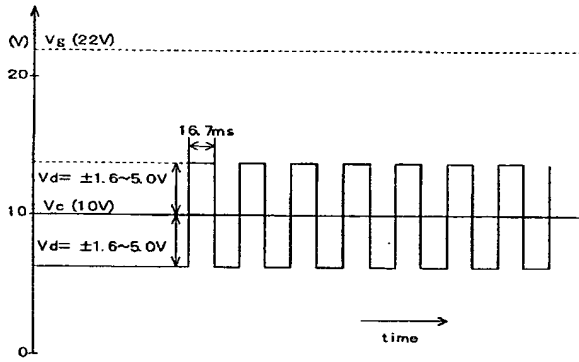


1 μm

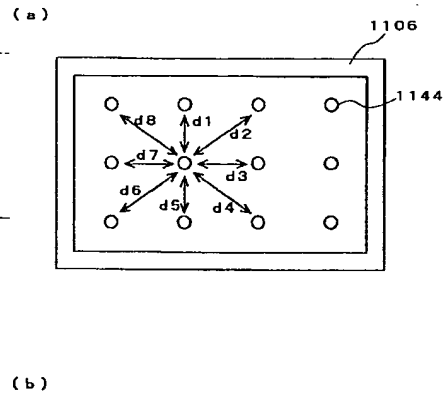
【図101】



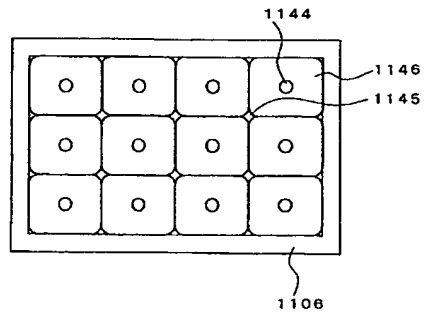
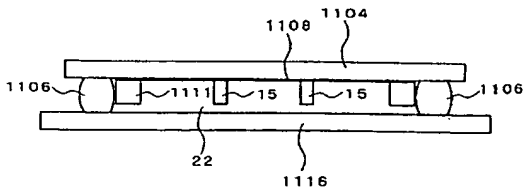
【図102】



【図105】

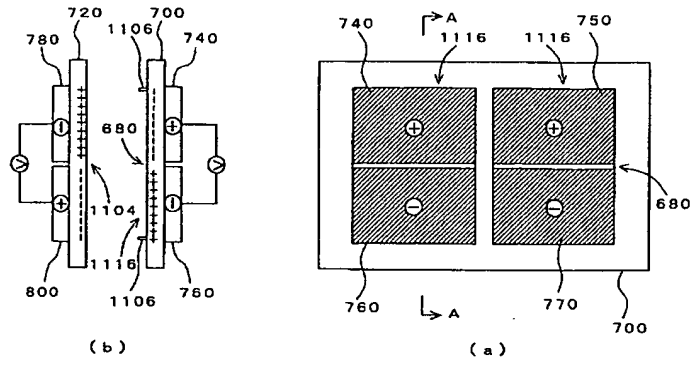


【図111】

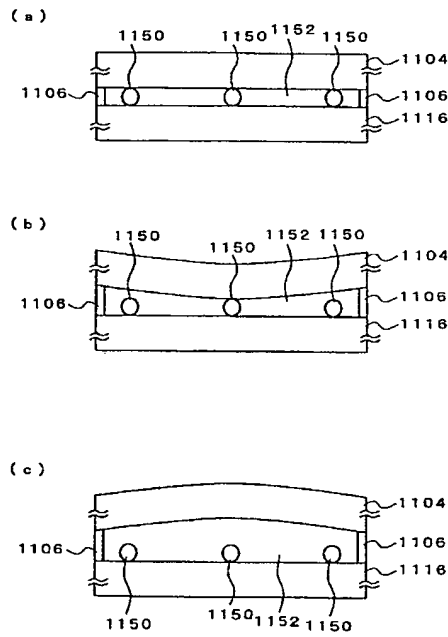




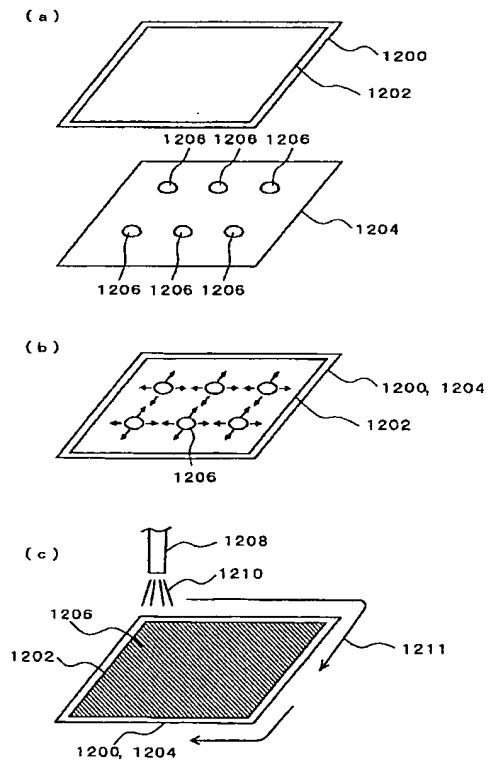
【図106】



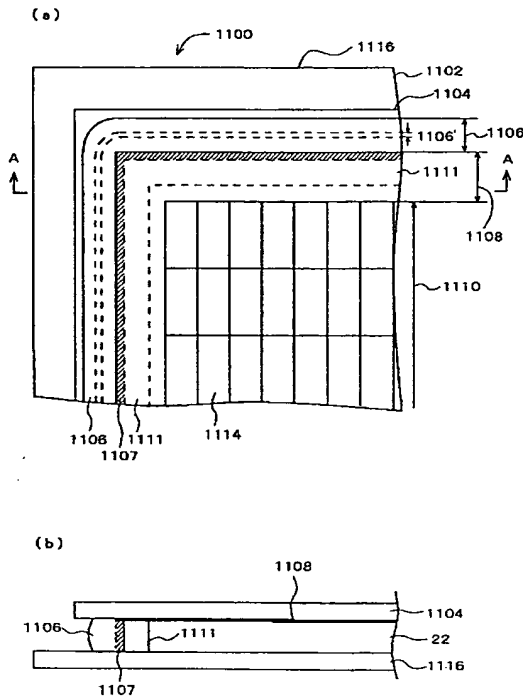
【図107】



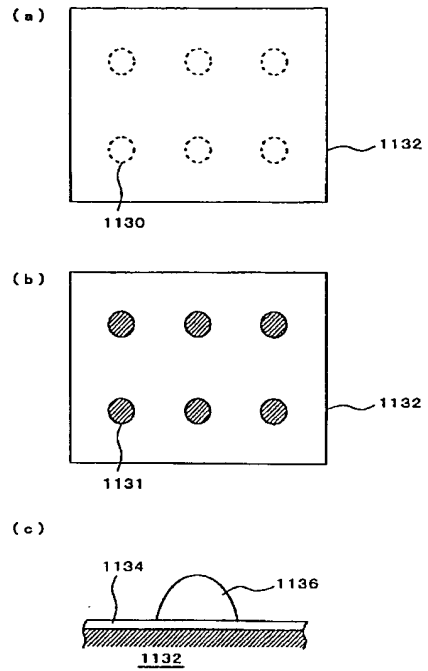
【図108】



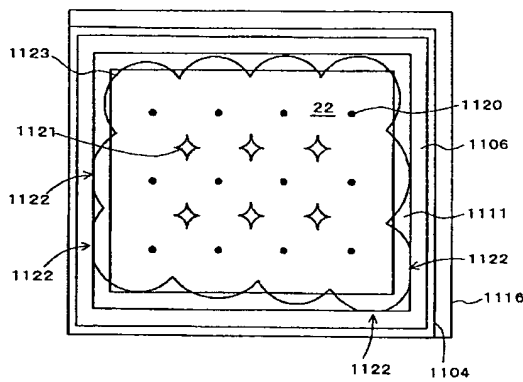
【図110】



【図114】



【図112】



フロントページの続き

(51) Int. Cl.<sup>7</sup>  
G09F 9/30

識別記号  
349

FI  
G09F 9/30

キーワード(参考)  
349C

- |  |   |
|--|---|
| (72) 発明者 小池 善郎<br>神奈川県川崎市中原区上小田中4丁目1番<br>1号 富士通株式会社内 | (72) 発明者 谷口 洋二<br>神奈川県川崎市中原区上小田中4丁目1番<br>1号 富士通株式会社内                        |
| (72) 発明者 今井 了<br>神奈川県川崎市中原区上小田中4丁目1番<br>1号 富士通株式会社内  | (72) 発明者 中山 徳道<br>神奈川県川崎市中原区上小田中4丁目1番<br>1号 富士通株式会社内                        |
| (72) 発明者 津田 英昭<br>神奈川県川崎市中原区上小田中4丁目1番<br>1号 富士通株式会社内 | (72) 発明者 杉村 宏幸<br>神奈川県川崎市中原区上小田中4丁目1番<br>1号 富士通株式会社内                        |
| (72) 発明者 井上 弘康<br>神奈川県川崎市中原区上小田中4丁目1番<br>1号 富士通株式会社内 | (72) 発明者 大谷 稔<br>神奈川県川崎市中原区上小田中4丁目1番<br>1号 富士通株式会社内                         |
| (72) 発明者 村田 聡<br>神奈川県川崎市中原区上小田中4丁目1番<br>1号 富士通株式会社内  | Fターム(参考) 2H088 FA02 FA03 FA04 FA09 FA10<br>HA03 HA08 HA12 HA14 HA21<br>MA20 |
| (72) 発明者 鈴木 英彦<br>神奈川県川崎市中原区上小田中4丁目1番<br>1号 富士通株式会社内 | 2H089 MA04Y NA09 NA22 NA25<br>NA44 QA16 RA05 TA04 TA09<br>TA12 TA13 TA17    |
| (72) 発明者 吉田 秀史<br>神奈川県川崎市中原区上小田中4丁目1番<br>1号 富士通株式会社内 | 2H091 FA02Y FA14Z FA34Y FC10<br>GA06 GA09 GA13 HA07 LA04<br>LA18            |
| (72) 発明者 長谷川 正<br>神奈川県川崎市中原区上小田中4丁目1番<br>1号 富士通株式会社内 | 5C094 AA03 AA42 AA43 BA03 BA43<br>CA19 CA24 EB02 ED03 ED15<br>GB01          |